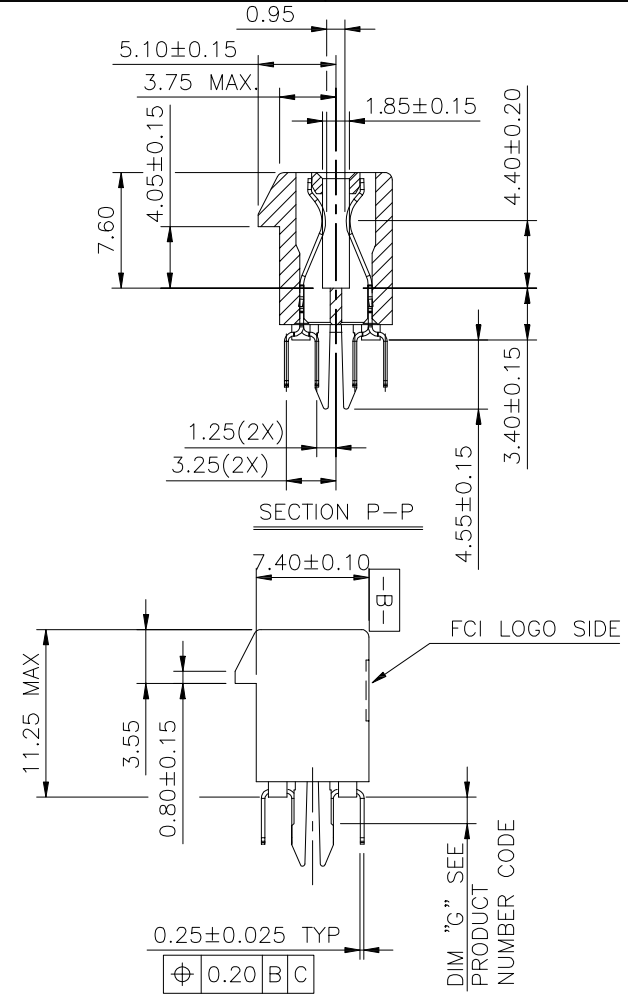
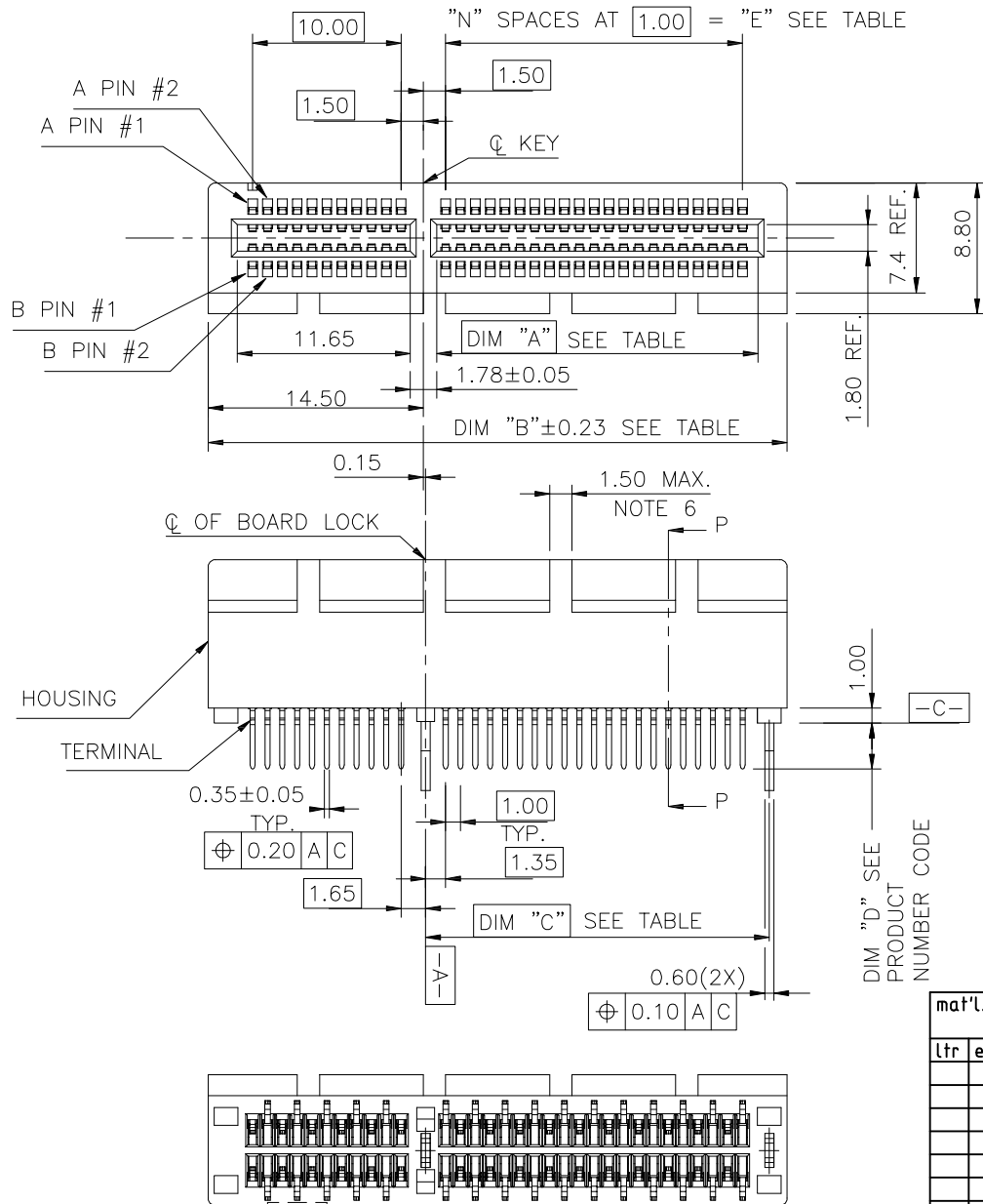


PLASTIC PEG TYPE

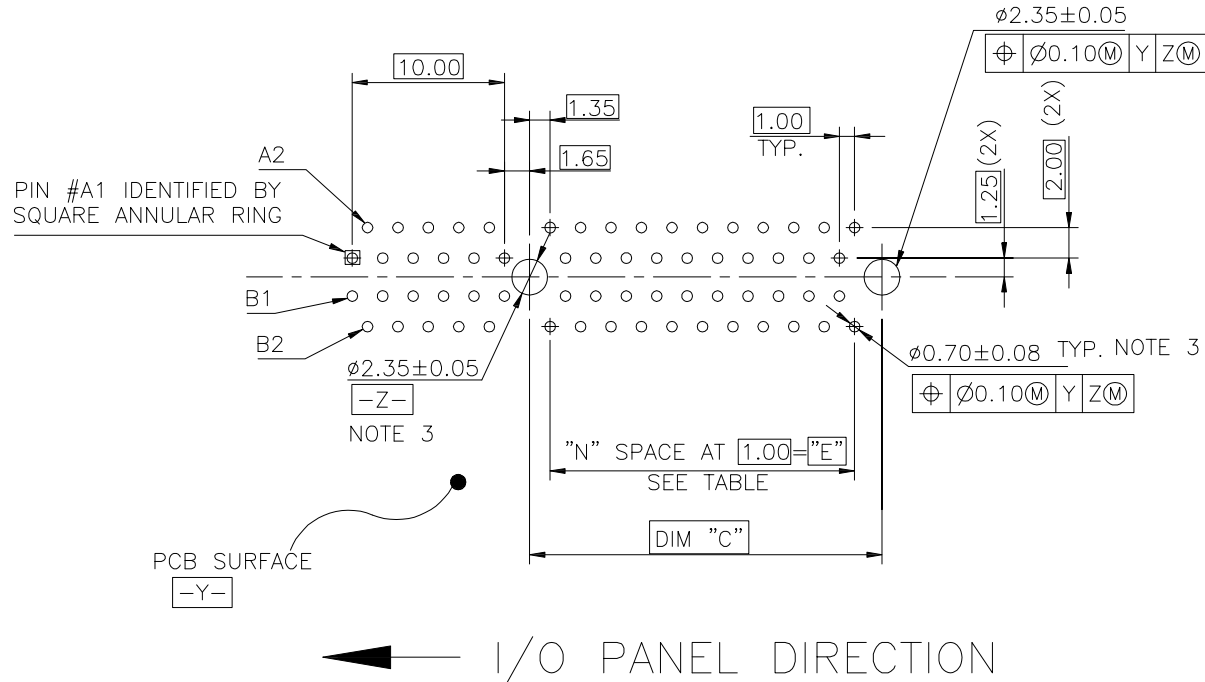
| | | | | | | | |
|-------------|----------------|---------|----|------------|---------------------------------------|----------------|----------------------------|
| mat'l. code | | surface | | tolerance | projection | product family | |
| - | | - | | ASME_Y14.5 | ⊕ | PCI_EXPRESS | |
| ltr | | ecn no | dr | date | tolerances unless otherwise specified | | title |
| M | 05-0124 | M | W | 06/07/05 | angles | MM | PCI_EXPRESS_CARD_EDGE_GEN3 |
| N | 05-0153 | M | W | 07/12/05 | Linear | | TH_ASS'Y |
| P | 05-0208 | M | W | 09/15/05 | ±2' | scale N/A | |
| R | 06-0206 | R | C | 12/01/06 | dr | WINSTON_ZHU | 2022-05-26 |
| S | ELX-DG-2161-1 | S | T | 05/27/15 | engr | ZHENHUA_LIU | 2022-05-26 |
| T | ELX-DG-38297 | ZH | | 20/09/17 | chr | MARS_LONG | 2022-05-26 |
| | | | | | appd | HEAVEN_CEN | 2022-05-26 |
| sheet index | revision sheet | U | | | | | |





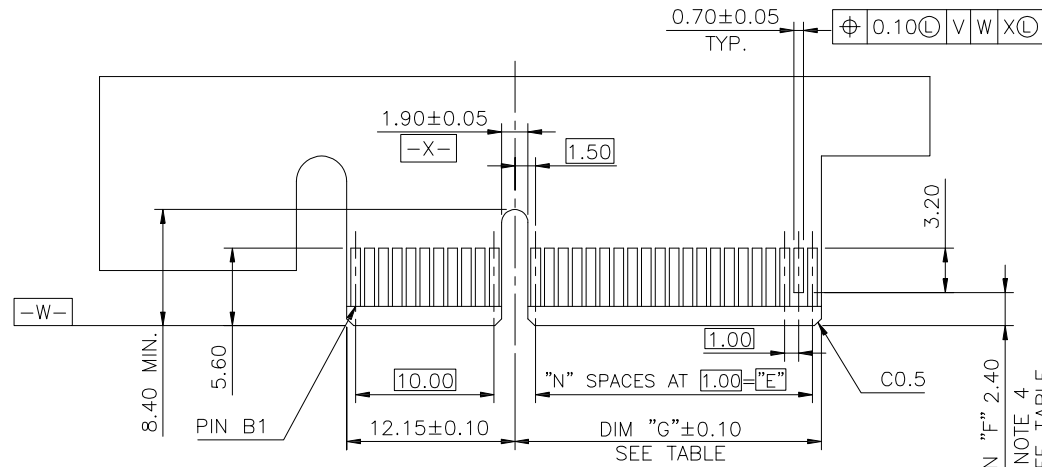
METAL BOARD LOCKS TYPE

| | | | | | | | | | |
|-------------|--|----------------|--|------------|--|------------|--|----------------------------|--|
| mat'l. code | | surface | | tolerance | | projection | | product family | |
| - | | - | | ASME_Y14.5 | | MM | | PCI_EXPRESS | |
| ltr | | ecn no | | dr | | date | | title | |
| | | | | | | | | PCI_EXPRESS_CARD_EDGE_GEN3 | |
| | | | | | | | | TH_ASS'Y | |
| | | | | | | | | sheet 2 of 6 | |
| | | | | | | | | size | |
| | | | | | | | | A4 | |
| | | | | | | | | dwg no | |
| | | | | | | | | 10018784 | |
| | | | | | | | | type | |
| | | | | | | | | CUSTOMER Drawing | |
| sheet index | | revision sheet | | U | | | | | |

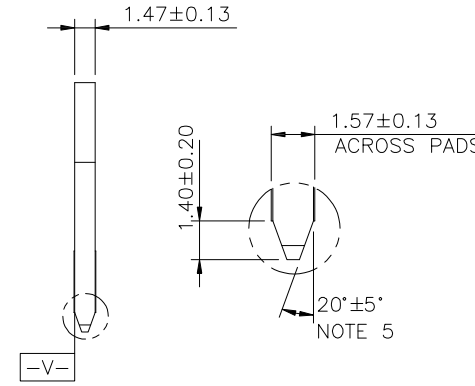


RECOMMENDED FOOTPRINT

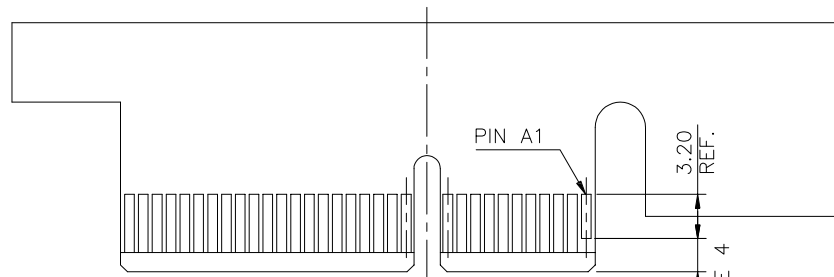
| | | | | | | | | | | | | | | | | | |
|-------------|--|----------|--|---------|--|-------------|--|---------------------------------------|--|------------|--|------------|--|----------------------------|--|-------------------|--|
| mat'l. code | | - | | surface | | - ✓ | | tolerance | | ASME_Y14.5 | | projection | | product family | | PCI_EXPRESS | |
| ltr | | ecn no | | dr | | date | | tolerances unless otherwise specified | | MM | | title | | PCI_EXPRESS_CARD_EDGE_GEN3 | | TH_ASS'Y | |
| | | | | | | | | angles | | .0±.0.30 | | | | | | | |
| | | | | | | | | ±2' | | .00±.0.20 | | scale N/A | | | | | |
| | | | | dr | | WINSTON_ZHU | | 2022-05-26 | | | | | | dwg no | | sheet 3 of 6 size | |
| | | | | engr | | ZHENHUA_LIU | | 2022-05-26 | | | | | | 10018784 | | A4 | |
| | | | | chr | | MARS_LONG | | 2022-05-26 | | | | | | | | | |
| | | | | appd | | HEAVEN_CEN | | 2022-05-26 | | | | | | | | | |
| sheet | | revision | | U | | | | | | | | | | | | | |
| index | | sheet | | | | | | | | | | | | | | | |



← I/O PANEL DIRECTION
PRIMARY (COMPONENT) SIDE



SCALE 2:1



I/O PANEL DIRECTION →
SECONDARY (SOLDER) SIDE

ADD-IN CARD EDGE-FINGER DIMENSIONS

| # | POS | REF. | N | DIM "G" | "F" |
|-----|-----|------|-------|---------|-----|
| 36 | 6 | | 8.15 | B17 | |
| 64 | 20 | | 22.15 | B31 | |
| 98 | 37 | | 39.15 | B48 | |
| 164 | 70 | | 72.15 | B81 | |

PIN "F" SEE TABLE 2.40±0.10
NOTE 4

| | | | | | | | | | |
|-------------|--|----------------|--|------------|--|------------|--|----------------------------|--|
| mat'l. code | | surface | | tolerance | | projection | | product family | |
| - | | - | | ASME_Y14.5 | | ⊕ | | PCI_EXPRESS | |
| ltr | | ecn no | | dr | | date | | title | |
| | | | | | | | | PCI_EXPRESS_CARD_EDGE_GEN3 | |
| | | | | angles | | MM | | TH_ASS'Y | |
| | | | | ±2' | | scale N/A | | dwg no | |
| | | | | dr | | 2022-05-26 | | sheet 4 of 6 | |
| | | | | enfr | | 2022-05-26 | | size | |
| | | | | chr | | 2022-05-26 | | A4 | |
| | | | | appd | | 2022-05-26 | | 10018784 | |
| | | | | | | | | type | |
| | | | | | | | | CUSTOMER Drawing | |
| sheet index | | revision sheet | | u | | | | | |
| | | | | | | | | | |

NOTES:

1.MATERIAL:

HOUSING: NYLON, GLASS FILLED UL94V-0 RATE, SUITABLE FOR WAVE SOLDERING.
 TERMINAL: COPPER ALLOY
 PLATING: 50u" NICKEL UNDERPLATE ALL OVER
 CONTACT AREA PLATING - SEE PRODUCT NUMBER CODE
 SOLDER TAIL: TIN/LEAD (90/10) - SEE PRODUCT NUMBER CODE 100u" MIN. OVER 50u" NICKEL
 METAL BOARD LOCKS: COPPER ALLOY
 FINISH: 100u" TIN/LEAD (90/10) OVER 50u" NICKEL
 UNDERPLATE SEE PRODUCT NUMBER CODE

2.PRODUCT SPECIFICATION: GS-12-233

③THE HORIZONTAL AXIS FOR THE HOLE PATTERN IS ESTABLISHED BY A LINE THROUGH THE CENTER OF THE TWO Ø2.35 HOLES. THE VERTICAL AXIS IS 90° TO THE HORIZONTAL AXIS, THROUGH THE CENTER OF DATUM Z.

④NO TIE BAR PERMITTED FROM CARD EDGE TO LEADING EDGE OF PAD FOR PINS A1 AND PIN NUMBERS "F".

⑤CHAMFER EDGES MUST BE FREE OF CUTTING BURRS.

⑥FREQUENCY & LOCATION AT SUPPLIER DISCRETION. RIDGE MAY BE CONTINUOUS WITH NO BREAKS.

7.RoHS COMPATIBLE PRODUCT SPECIFICATIONS

a - PLATING:

- "LF" MEANS THE PRODUCT IS LEAD-FREE, 2um MINIMUM MATTE TIN OVER 1.27um MINIMUM NICKEL UNDERPLATE.

b - MANUFACTURING PROCESS COMPATIBILITY

- THE HOUSING WILL WITHSTAND EXPOSURE TO 260°C±5°C SOLDER BATH TEMPERATURE FOR 5 SECONDS IN A WAVE SOLDER APPLICATION WITH A 1.6mm MIN THICK CIRCUIT BOARD.
 - THE HOUSING WILL WITHSTAND EXPOSURE TO 240°C±5°C SOLDER BATH TEMPERATURE FOR 5 SECONDS IN A WAVE SOLDER APPLICATION WITH A 1.6mm MIN THICK CIRCUIT BOARD.(For 10018784-X 0 X X X X(X X) options)

| CONNECTOR | # POS | REF. | N | DIM "A" | DIM "B" | DIM "C" | "E" |
|-----------|-------|------|----|---------|---------|---------|-------|
| 1 PORT | 36 | | 6 | 7.65 | 25.00 | 9.15 | 6.00 |
| 4 PORT | 64 | | 20 | 21.65 | 39.00 | 23.15 | 20.00 |
| 8 PORT | 98 | | 37 | 38.65 | 56.00 | 40.15 | 37.00 |
| 16 PORT | 164 | | 70 | 71.65 | 89.00 | 73.15 | 70.00 |

PRODUCT NUMBER CODE
 10018784-x x x x x x □ □

HOUSING COLOR OPTIONS

0-WHITE
 1-BLACK

PEGS OPTIONS

0-PLASTIC PEGS
 1-METAL BOARD LOCKS

LEAD FREE OPTION

LEAVE BLANK FOR TERMINAL PLATING 3,4,5
 "LF" FOR TERMINAL PLATING OPTION 0,1,2

POS OPTIONS

0-36
 1-64
 2-98
 3-164

PACKAGING OPTIONS

T-TRAY PACKAGING
 M-TRAY PACKAGING & MYLAR TAPE FOR PICK-N-PLACE. SEE FIGURE 1
 R-TAPE & REEL PACKAGING (FOR 36, 64, 98P)
 A-TAPE & REEL PACKAGING WITH MYLAR (FOR 36, 64, 98P)
 Y-HARD TRAY PACKAGING (338X235X21.4) (FOR 36P,98P 164P ONLY)

TERMINAL PLATING OPTIONS

- 0-50u" Ni UNDERPLATE
 30u" Au CONTACT AREA
 100u" TIN TAIL AREA ----- COMPATIBLE RoHS
- 1-50u" Ni UNDERPLATE
 15u" Au CONTACT AREA
 100u" TIN TAIL AREA ----- COMPATIBLE RoHS
- 2-50u" Ni UNDERPLATE
 GOLD FLASH CONTACT AREA
 100u" TIN TAIL AREA ----- COMPATIBLE RoHS
- 3-50u" Ni UNDERPLATE
 30u" Au CONTACT AREA
 100u" TIN/LEAD TAIL AREA ----- INCOMPLIANT RoHS
- 4-50u" Ni UNDERPLATE
 15u" Au CONTACT AREA
 100u" TIN/LEAD TAIL AREA ----- INCOMPLIANT RoHS
- 5-50u" Ni UNDERPLATE
 GOLD FLASH CONTACT AREA
 100u" TIN/LEAD TAIL AREA ----- INCOMPLIANT RoHS

| | DIM "D" | PCB THICKNESS | BOARD LOCKS DIM"G" |
|---|--|---------------|--------------------|
| 0 | 2.30 ^{+0.25} / _{-0.13} | 1.56±0.10 | 1.70±0.15 |
| 1 | 3.10 ^{+0.25} / _{-0.13} | 2.36±0.10 | 2.50±0.15 |

TAIL LENGTH OPTIONS

| | | | | | | | | | | | | | | | |
|-------------|--|----------|--|---------|--|------------------------|--|---------------------------------------|--|--------------|--|----------------|--|----------------------------|--|
| mat'l. code | | - | | surface | | - ✓ ASME_Y14.5 | | tolerance | | projection | | product family | | PCI_EXPRESS | |
| ltr | | ecn no | | dr | | date | | tolerances unless otherwise specified | | MM | | title | | PCI_EXPRESS_CARD_EDGE_GEN3 | |
| | | | | | | | | angles | | MM | | TH_ASS'Y | | 5 | |
| | | | | | | | | ±2' | | scale N/A | | dwg no | | sheet 5 of 6 size | |
| | | | | dr | | WINSTON_ZHU 2022-05-26 | | | | Amphenol FCI | | 10018784 | | A4 | |
| | | | | engr | | ZHENHUA_LIU 2022-05-26 | | | | | | type | | CUSTOMER Drawing | |
| | | | | chr | | MARS-LONG 2022-05-26 | | | | | | | | | |
| | | | | appd | | HEAVEN_CEN 2022-05-26 | | | | | | | | | |
| sheet index | | revision | | u | | | | | | | | | | | |
| | | sheet | | | | | | | | | | | | | |

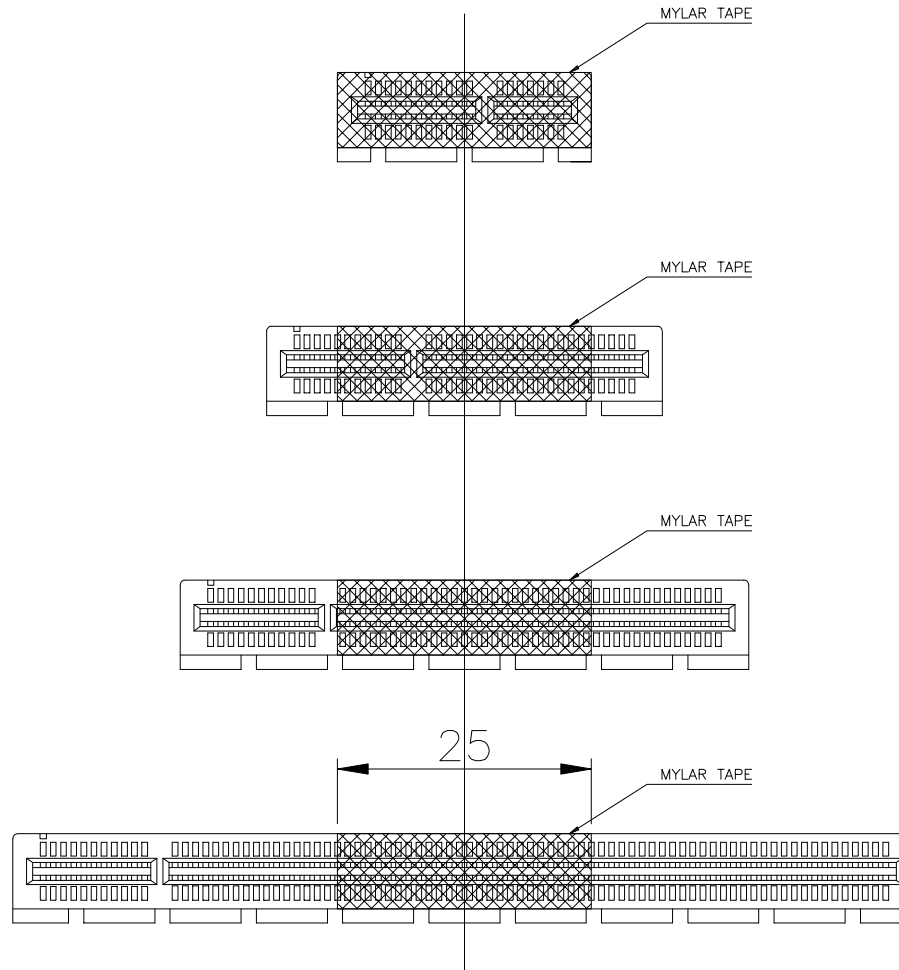


FIGURE 1

| | | | | | | | | | | | |
|-------------|----------------|----|------|---------------------------------------|-------------|------------|------------|------------|-------|-------------------------------------|-------------------|
| mat'l. code | | - | | surface | - | tolerance | ASME_Y14.5 | projection | ⊕ | product family | PCI_EXPRESS |
| ltr | ecn no | dr | date | tolerances unless otherwise specified | | | | MM | title | PCI_EXPRESS_CARD_EDGE_GEN3_TH_ASS'Y | |
| | | | | angles | linear | .02±0.30 | | scale | N/A | dwg no | sheet 6 of 6 size |
| | | | | ±2' | linear | .00±0.20 | | | | 10018784 | A4 |
| | | | | dr | WINSTON_ZHU | 2022-05-26 | | | | | |
| | | | | engr | ZHENHUA_LIU | 2022-05-26 | | | | | |
| | | | | chr | MARS_LONG | 2022-05-26 | | | | | |
| | | | | appd | HEAVEN_CEN | 2022-05-26 | | | | | |
| sheet index | revision sheet | U | | | | | | | | type | CUSTOMER Drawing |