

PRODUCT NO
10019594-001
10019594-001LF

NOTES: (UNLESS OTHERWISE SPECIFIED)

1. MATERIALS:

A. HOUSING: 30 PERCENT GLASS FILLED LCP.
COLOUR: BLACK

B. CONTACTS: PHOSPHOR BRONZE.

PLATING: 50u" Ni UNDERPLATE OVERALL WITH ONE OF THE FOLLOWING:

A. 2~5 u" GOLD FLASH OVERALL

B. SELECTIVE GOLD FLASH 2~5u" ON CONTACT AREA AND 75u" TIN-LEAD ON SOLDER TAILS (NOTE 7 NOT APPLICABLE)

2. RELIABLE CONTACT FORCE SHALL BE MET.

▲A. CONTACT FORCE: 65±35 GRAMS EACH CONTACT AT A WORKING HEIGHT OF 2.11mm ABOVE DATUM 'C'.

B. CONTACT CURRENT RATING: 1 AMP MINIMUM.

C. CONTACT RETENTION: 200 GRAMS MINIMUM PER CONTACT.

3. FLASH MUST REMAIN WITHIN THE SIZE LIMITS ESTABLISHED BY THE TOLERANCE. NO FLASH IS ALLOWED ON DATUM SURFACES AND LOOSE FLASH MUST BE REMOVED. EJECTOR PIN MARKS TO BE FLUSH TO 0.254mm BELOW SURROUNDING SURFACE. DO NOT USE SILICONE MOLD RELEASE.

4. FCI ID OR LOGO AND CAVITY NUMBER TO BE IN AREA INDICATED. HEIGHT OF LETTERING TO BE FLUSH TO 0.254mm BELOW SURROUNDING SURFACE. HIGH SHINE MARKING IS ACCEPTABLE.

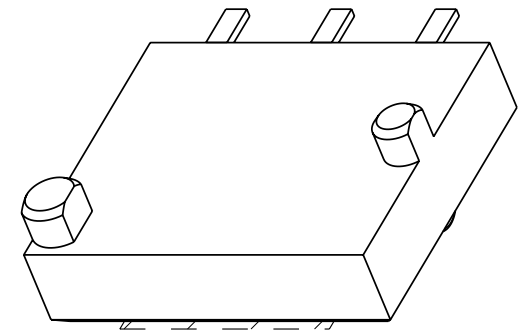
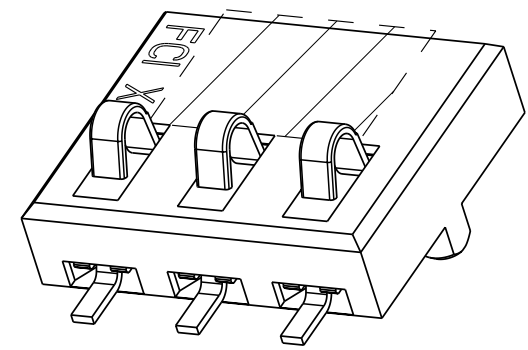
5. ALL IDENTIFIED CRITICAL PARAMETERS '▲' MUST MEET THE PROCESS AND CAPABILITY REQUIREMENTS OF CUSTOMER'S SPECIFICATION.

6. DIMENSIONS AND GEOMETRIC TOLERANCES ARE IN METRIC.

7. THIS PRODUCT MEETS EUROPEAN UNION DIRECTIVES AND OTHER COUNTRY REGULATIONS AS DESCRIBED IN GS-22-008.

8. THE HOUSING WILL WITHSTAND EXPOSURE TO 260°C PEAK TEMPERATURE FOR 10 SECONDS IN A CONVECTION, INFRA-RED OR VAPOR PHASE REFLOW OVEN.

9. 10019594-001LF IS SAME TO 10019594-001. THE "LF" IS ADDED JUST FOR EASY LEAD FREE IDENTIFICATION.



Copyright FCI.

rev	ecn no	dr	date
A	S03-0014	TAY	2003-01-22
B	S04-0235	TAY	2004-11-01
C	S05-0108	TAY	2005-04-12
D	S07-0259	TAY	2007-07-19
-	-	-	-
-	-	-	-
-	-	-	-

www.fciconnect.com		surface	tolerance std	projection	MM
		-	ASME Y14.5		
TOLERANCES UNLESS OTHERWISE SPECIFIED					
Dr	KP TAY	2003-01-22	ANGULAR	0.X	±0.33
Eng	KP TAY	2007-07-19	LINEAR	0.XX	±0.20
Chr	KP TAY	2007-07-19	0°	0.XXX	±0.13
Appr	JOEY NG	2007-07-19	Product family		Spec ref
FCI			COMPRESSION CONNECTOR		dwg no
			3 PINS SMT		10019594
			catalog no		CUSTOMER
					Rev. D
					sheet 1 of 2

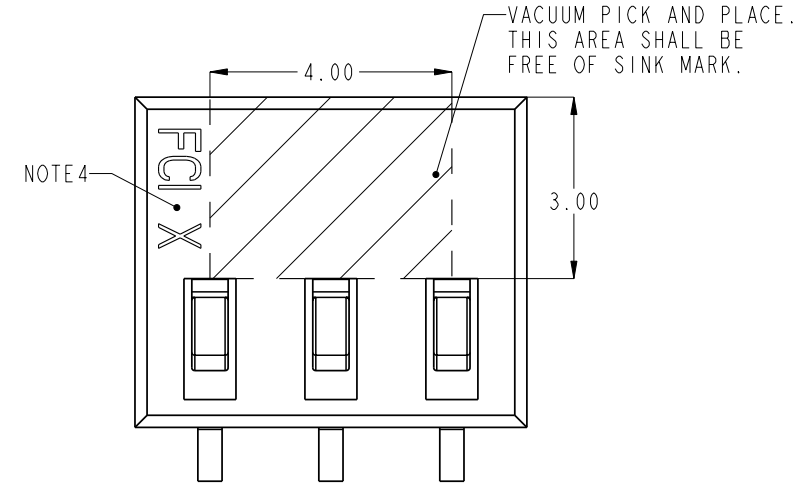
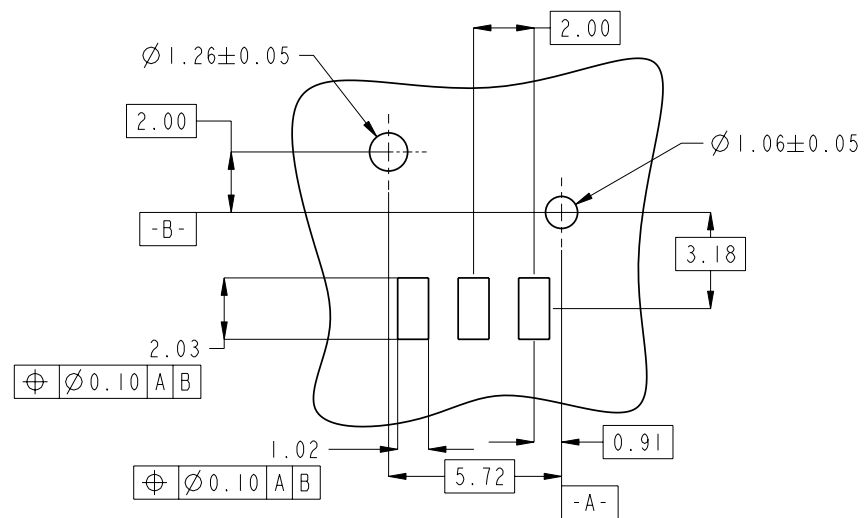
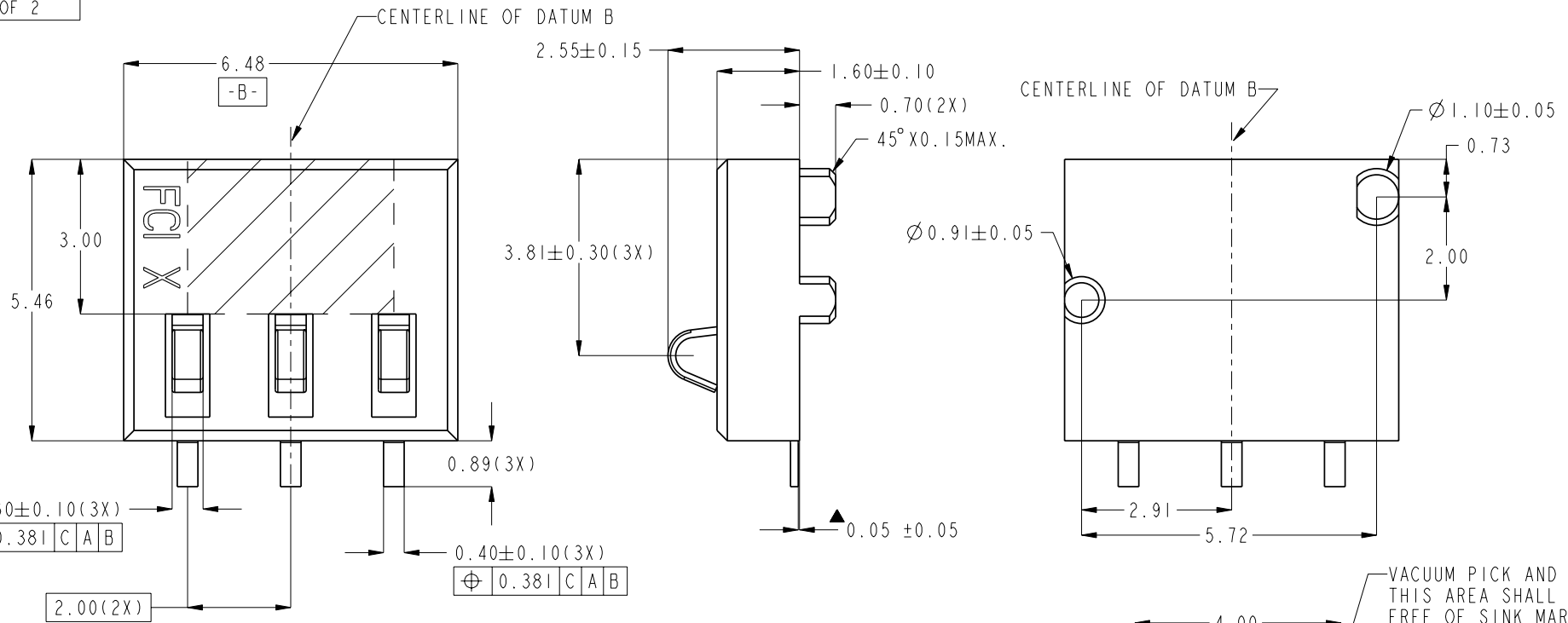
PRODUCT NO
REFER TO PAGE
1 OF 2

A

B

C

D



RECOMMENDED PAD GEOMETRY / MOUNTING
PCB THICKNESS 0.6 +0.10 / -0.076



TITLE
COMPRESSION CONNECTOR
3 PINS SMT
catalog no

dwg no
10019594
CUSTOMER
sheet 2 of 2

Rev.
D



Copyright FCI.