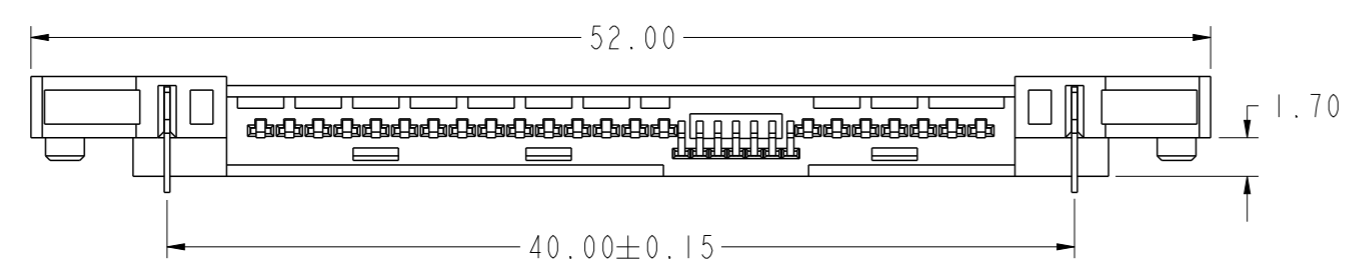
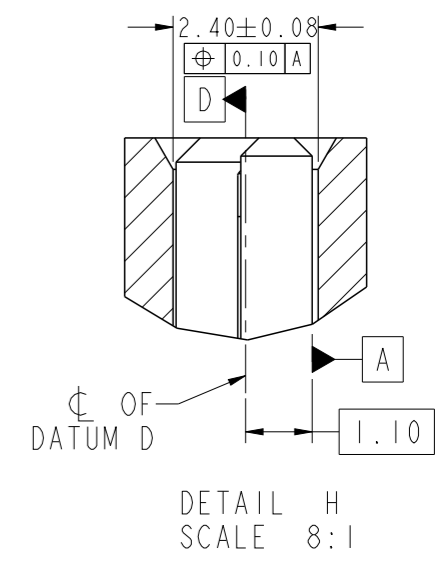
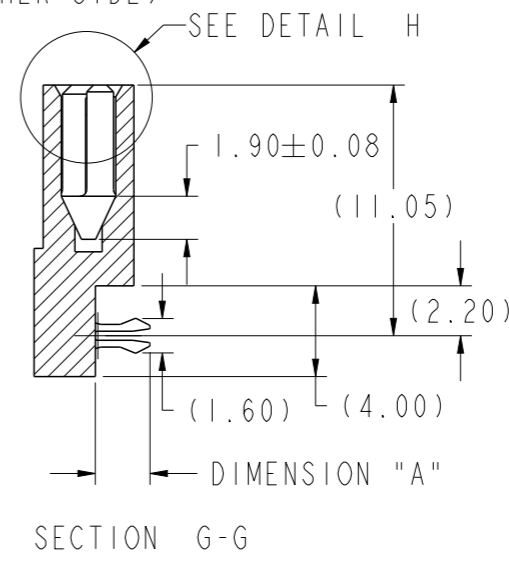
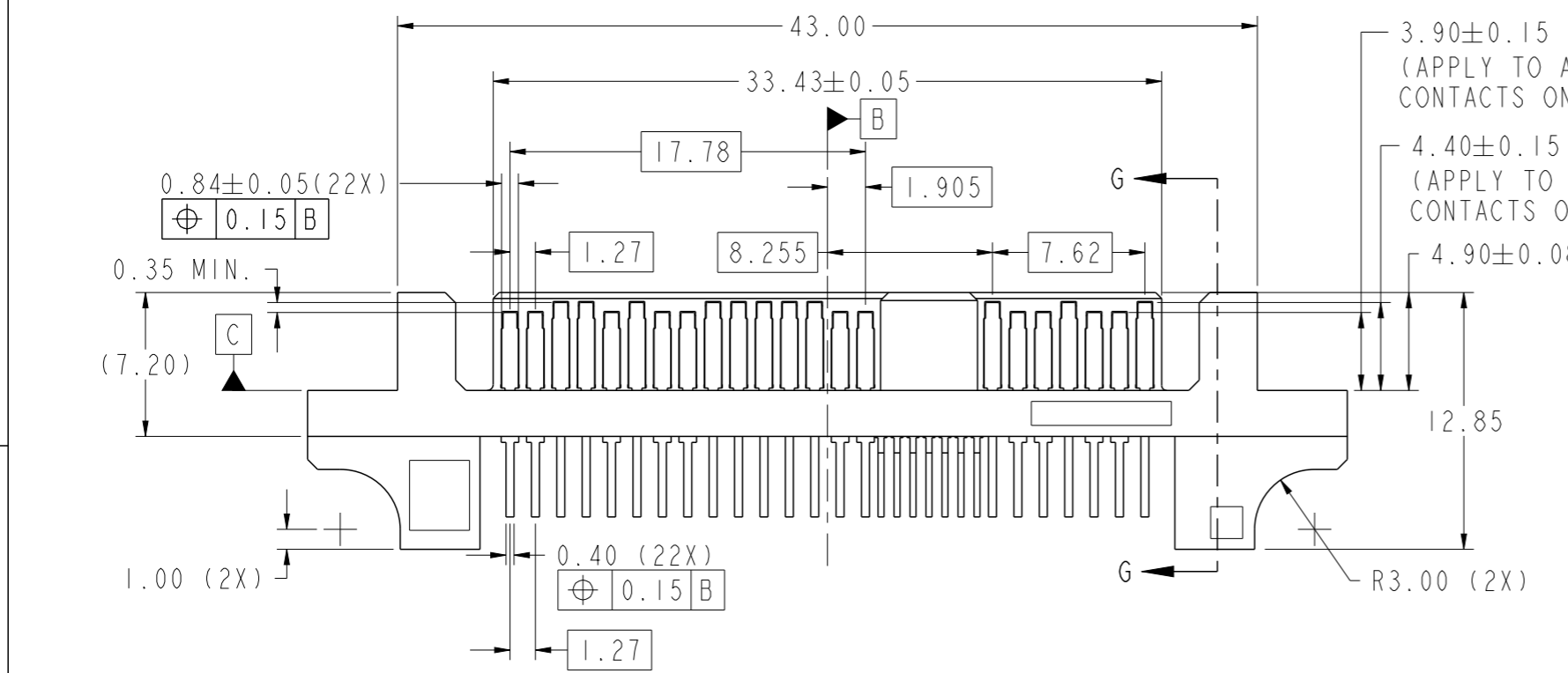
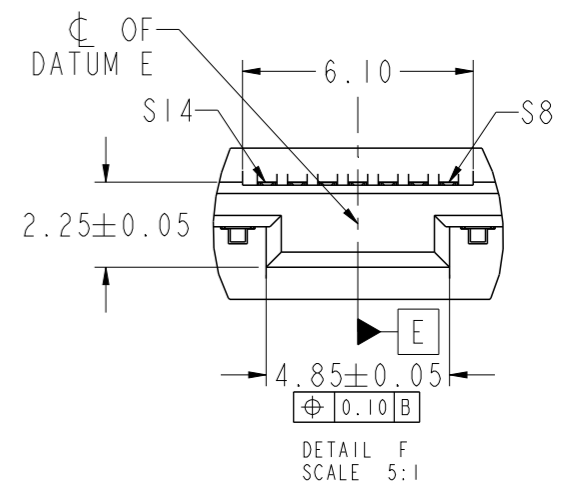
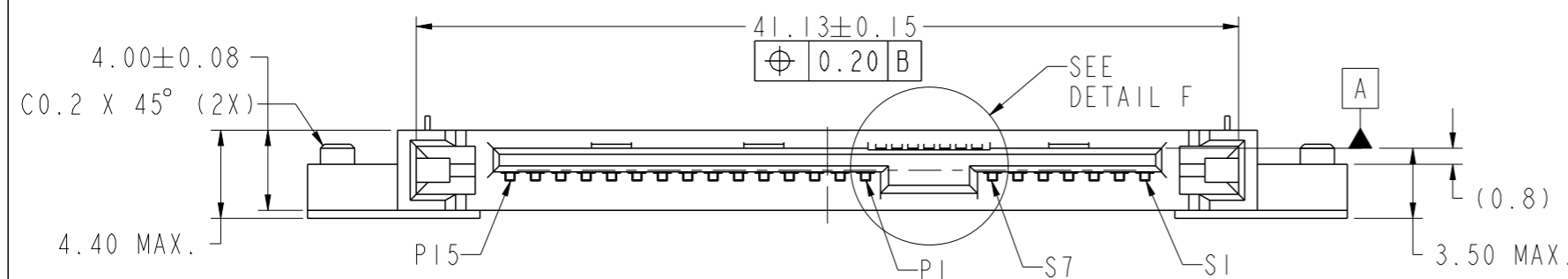


PRODUCT NO.  
 10034524-001LF  
 10034524-001C-TRLF  
 10034524-002LF  
 10034524-002C-TRLF

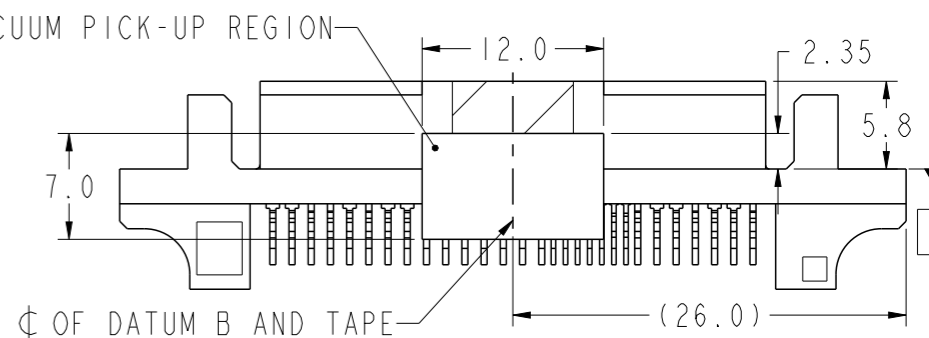
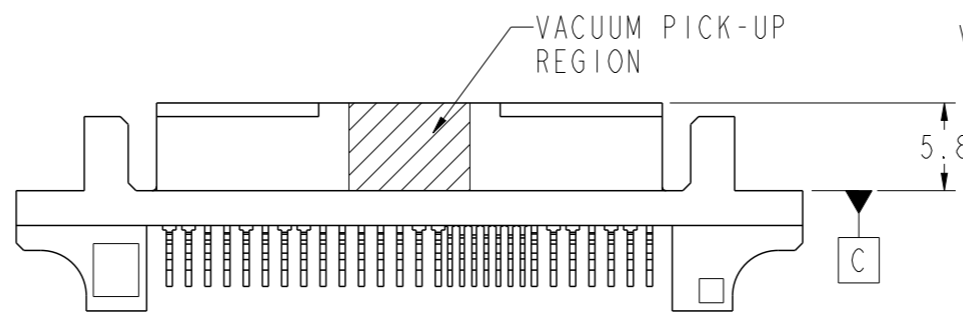
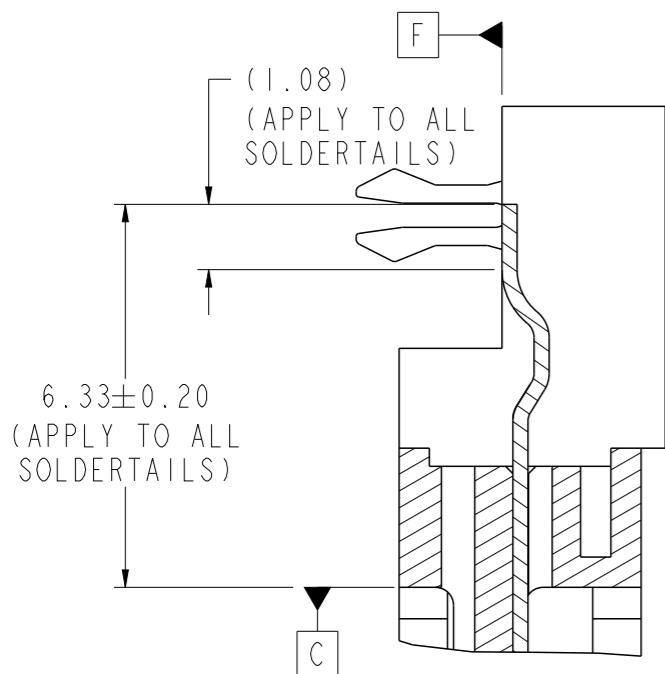
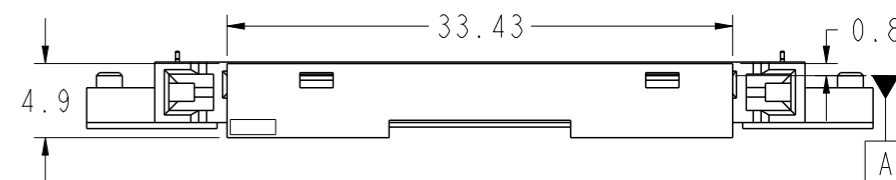
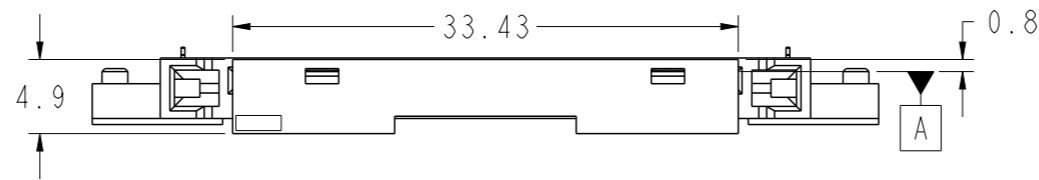
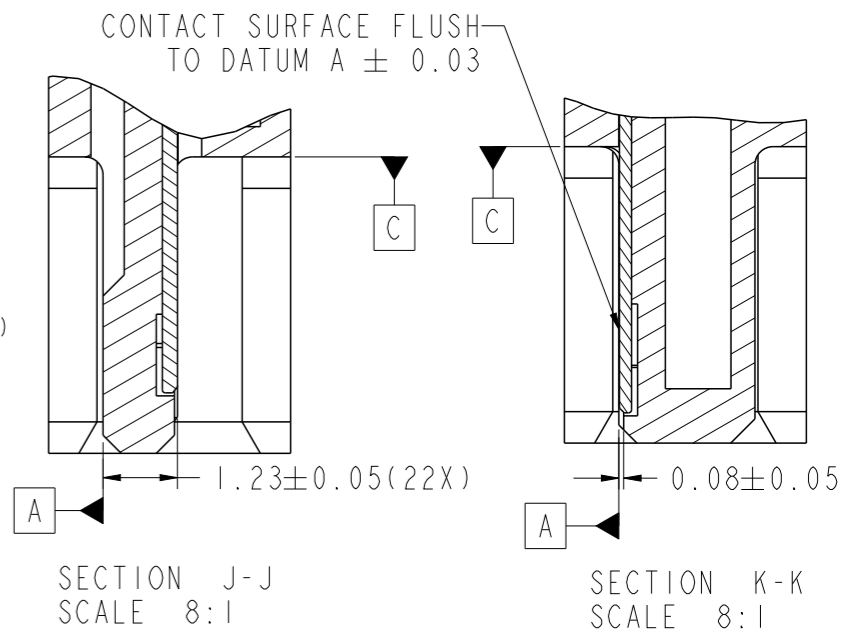
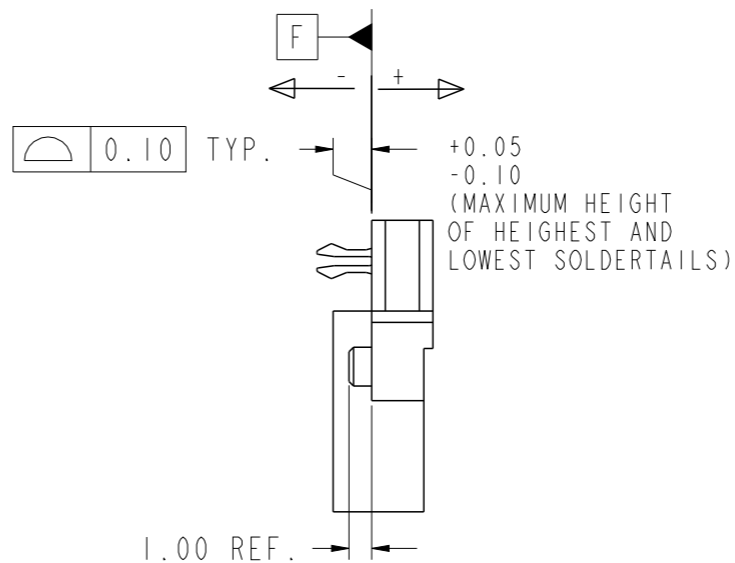
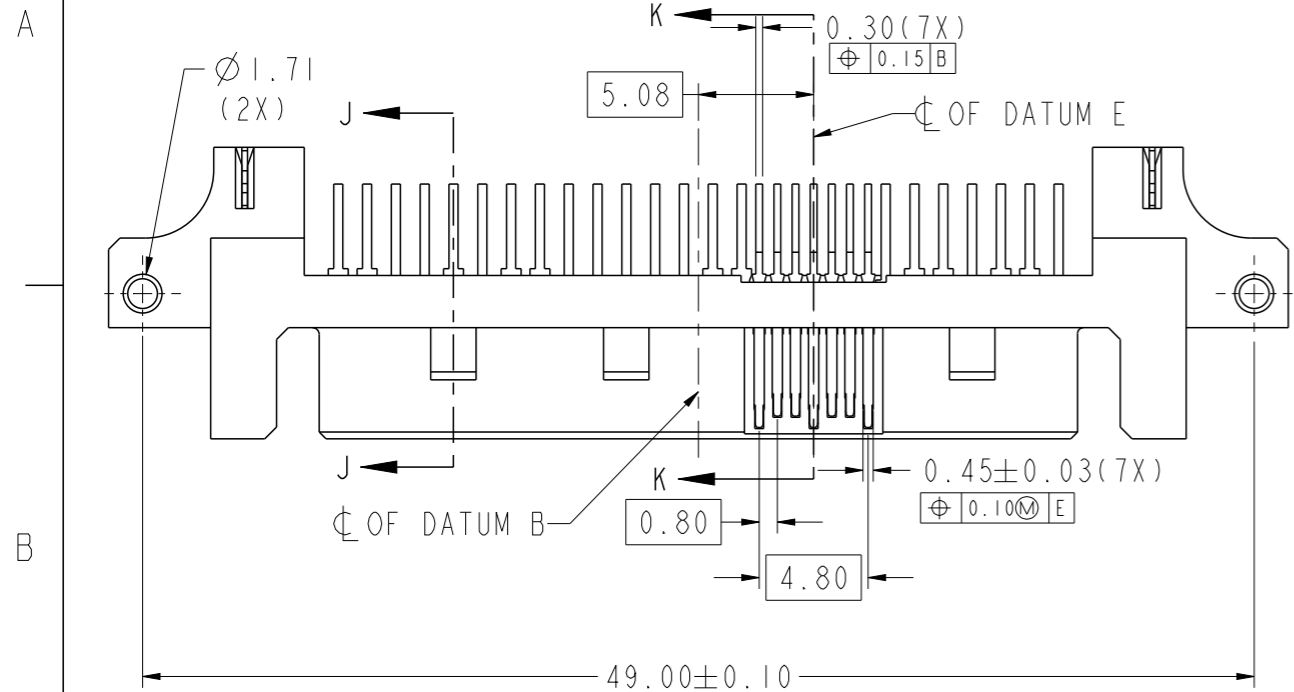


Amphenol FCI

© 2016 AFCI

|   |                       |                |              |                        |    |              |               |       |          |
|---|-----------------------|----------------|--------------|------------------------|----|--------------|---------------|-------|----------|
| spec ref  | dr                    | wcadmin, wcadm | 2010/07/16   | projection             | MM | size         | A3            | scale | 3:1      |
| tolerance std   | eng                   | Jeffrey Lim    | 2020/09/28   |                        |    | ecn no       | ELX-S-38495-1 |       |          |
| ASME Y14.5  | chr                   | -              | -            |                        |    | rel level    | Released      |       |          |
| surface   | appr                  | Koon-Poh Tay   | 2021/01/21   | product family         |    | dwg no       | 10034524      |       | rev      |
| ASME Y14.5  | <b>Amphenol FCI</b>   |                | SAS PLUG R/A |                        |    |              |               |       | <b>S</b> |
| linear<br>0.X ±-<br>0.XX ±0.20<br>0.XXX ±-<br>angular<br>0° ±2° | TYPE ASSY, Z-HT. 0.80 |                | cat. no.     | Product - Customer Drw |    | sheet 1 of 4 |               |       |          |

PRODUCT NO  
SEE TABLE



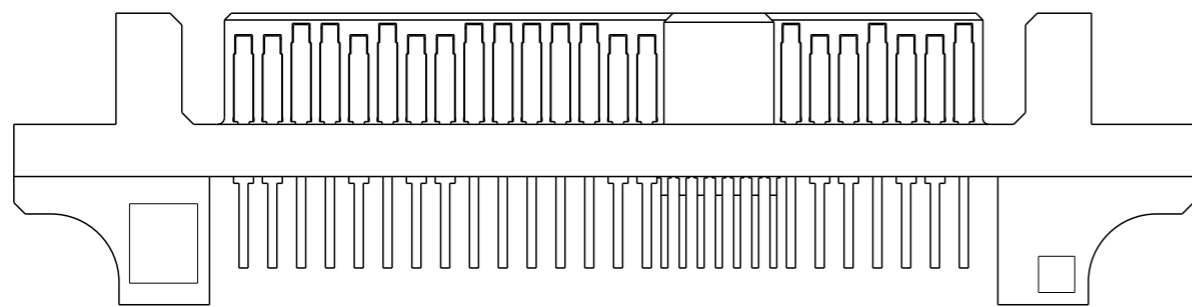
SCALE 2:1  
FOR 10034524-001C-TRLF

SCALE 2:1  
WITH ADHESIVE TAPE AND COVER ATTACHED  
(FOR 10034524-002C-TRLF)

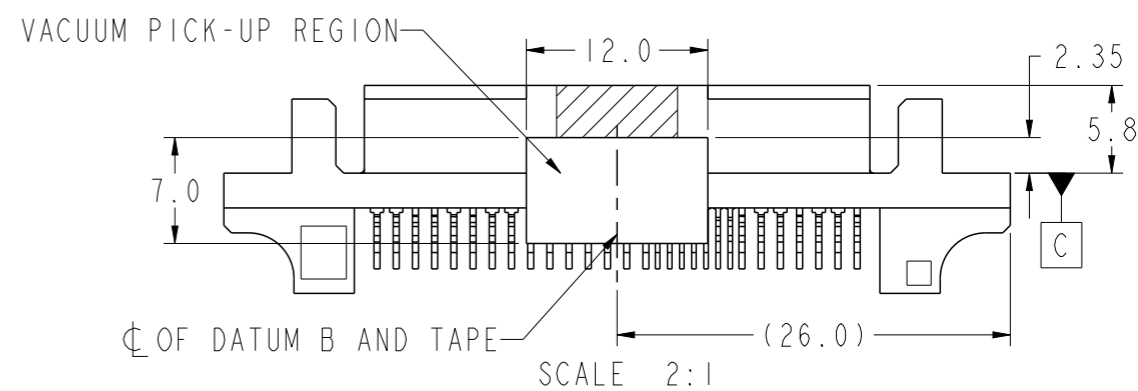
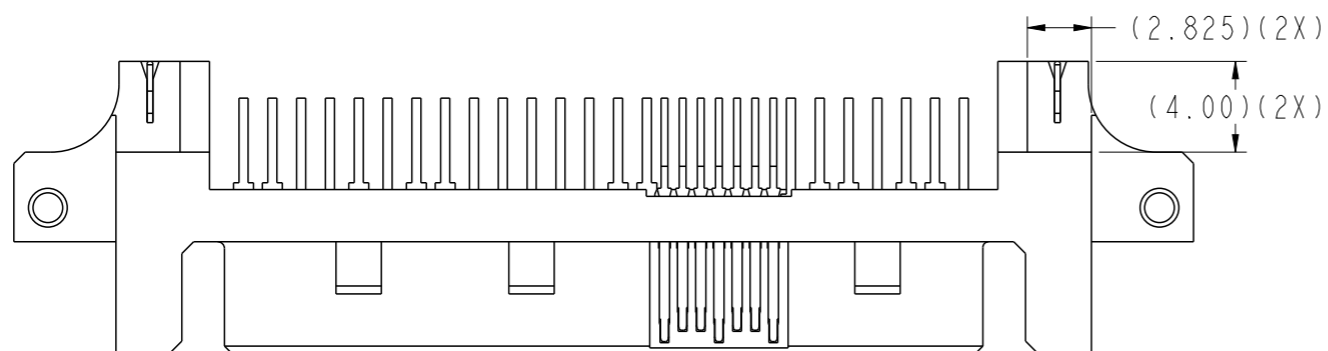
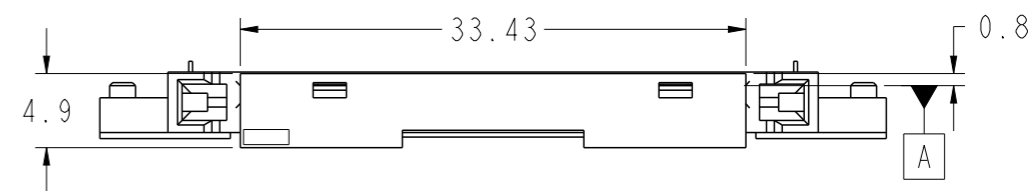
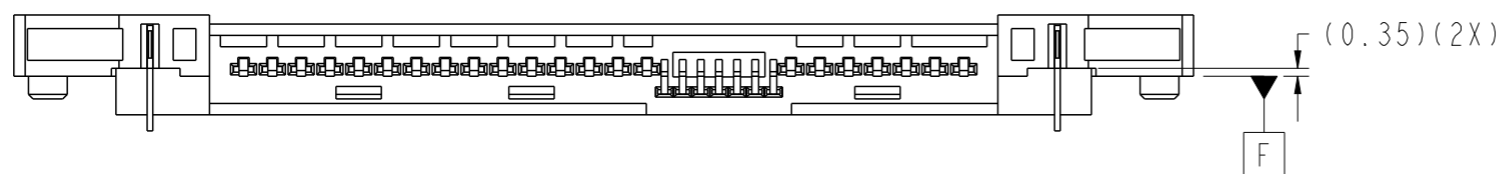
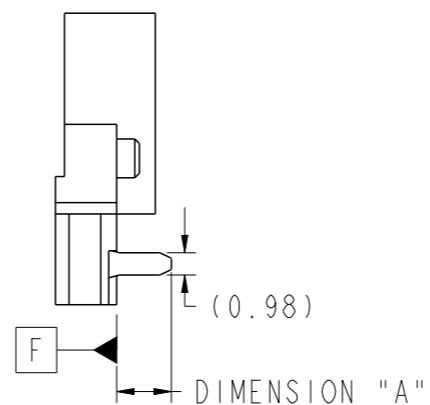
SECTION J-J  
SCALE 8:1

|               |         |                |            |                     |                                       |                    |               |           |          |
|---------------|---------|----------------|------------|---------------------|---------------------------------------|--------------------|---------------|-----------|----------|
| spec ref      | dr      | wcadmin, wcadm | 2010/07/16 | projection          | MM                                    | size               | A3            | scale     | 3:1      |
| tolerance std | eng     | Jeffrey Lim    | 2020/09/28 |                     |                                       | ecn no             | ELX-S-38495-1 | rel level | Released |
| ASME Y14.5    | chr     | -              | -          |                     |                                       |                    |               |           |          |
|               | appr    | Koon-Poh Tay   | 2021/01/21 | product family      |                                       |                    |               |           |          |
| surface       | linear  | 0.X            | ± -        | <b>Amphenol FCI</b> | SAS PLUG R/A<br>TYPE ASSY, Z-HT. 0.80 | dwg no<br>10034524 | rev<br>S      |           |          |
|               |         | 0.XX           | ±0.20      |                     |                                       |                    |               |           |          |
|               |         | 0.XXX          | ± -        |                     |                                       |                    |               |           |          |
| ASME Y14.5    | angular | 0°             | ±2°        | cat. no.            | Product - Customer Drw                | sheet 2 of 4       |               |           |          |

PRODUCT NO.  
 10034524-003C-TRLF  
 10034524-004C-TRLF  
 10034524-013TRLF



SCALE 3:1

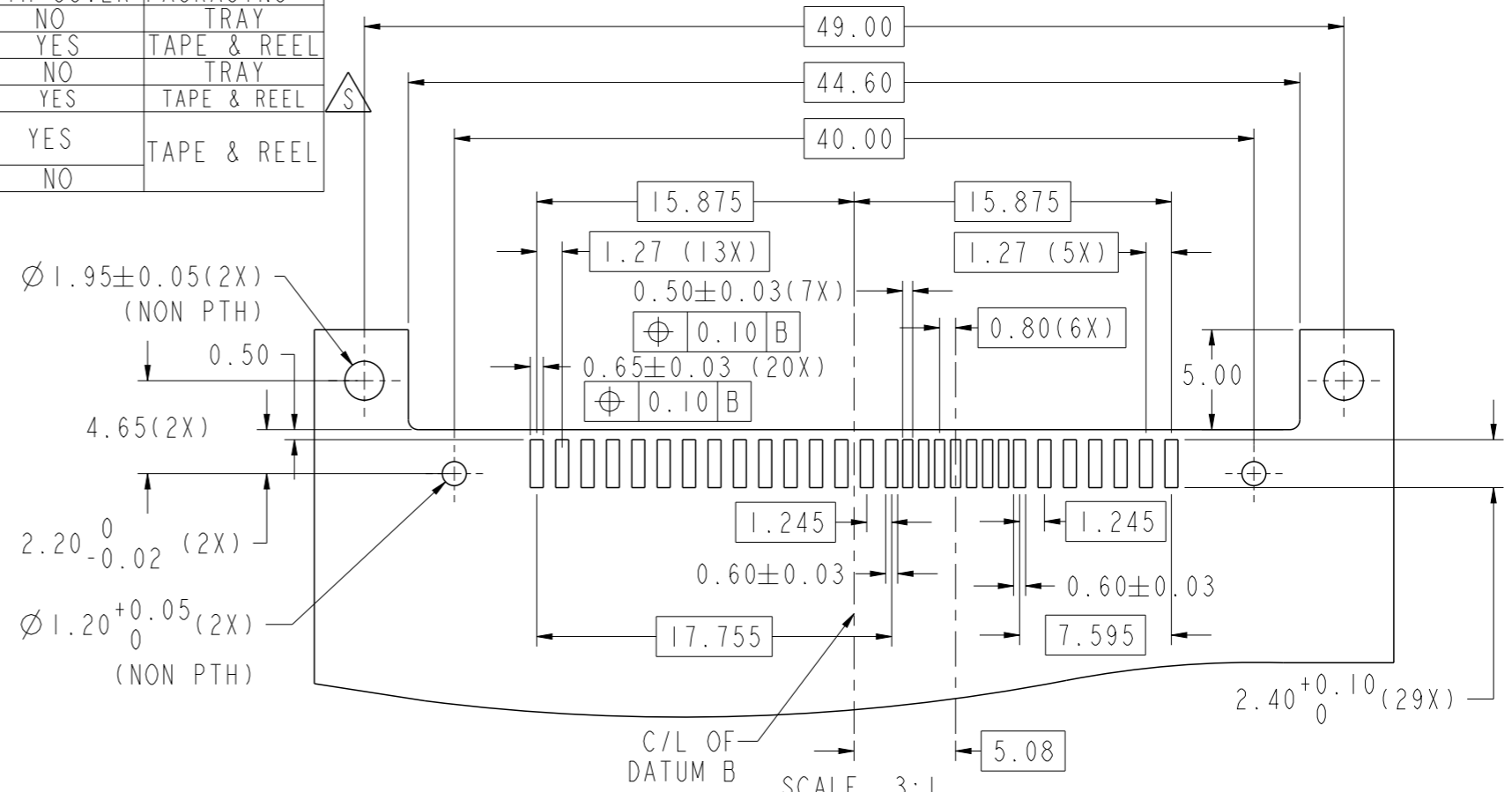


WITH ADHESIVE TAPE AND COVER ATTACHED  
 (FOR 10034524-003C/-004C-TRLF)

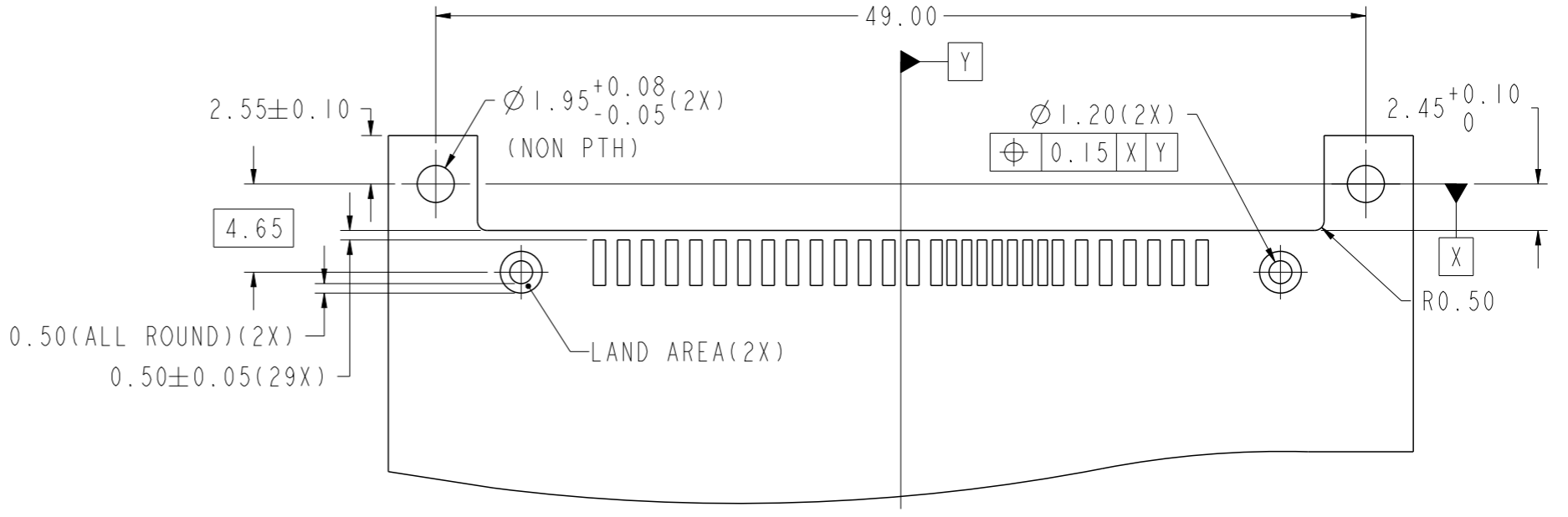
FOR MORE DIMENSIONS, REFER TO 10034524-001/-002

|               |         |                |                |                       |                        |              |               |           |          |
|---------------|---------|----------------|----------------|-----------------------|------------------------|--------------|---------------|-----------|----------|
| spec ref      | dr      | wcadmin, wcadm | 2010/07/16     | projection            | MM                     | size         | A3            | scale     | 1:1      |
| tolerance std | eng     | Jeffrey Lim    | 2020/09/28     |                       |                        | ecn no       | ELX-S-38495-1 |           |          |
| ASME Y14.5    | chr     | -              | product family |                       |                        |              | -             | rel level | Released |
| surface       | appr    | Koon-Poh Tay   | 2021/01/21     | SAS PLUG R/A          |                        | dwg no       | 10034524      |           | rev      |
| ASME Y14.5    | linear  | 0.X ± -        | 0.XX ±0.20     | TYPE ASSY, Z-HT. 0.80 |                        |              |               |           |          |
|               | angular | 0° ±2°         | cat. no.       | -                     | Product - Customer Drw | sheet 3 of 4 |               |           |          |

| PRODUCT NO.        | PCB THICKNESS | DIMENSION "A" WITH ADHESIVE TAPE WITH COVER | WITH COVER | PACKAGING   |             |
|--------------------|---------------|---|------------|-------------|-------------|
| 10034524-001LF     | 1.60          | 2.40±0.15                                   | NO         | TRAY        |             |
| 10034524-001C-TRLF |               |   | YES        | TAPE & REEL |             |
| 10034524-002LF     | 1.20          | 2.00±0.15                                   | NO         | TRAY        |             |
| 10034524-002C-TRLF |               |   | YES        | TAPE & REEL |             |
| 10034524-003C-TRLF | 1.60          | 2.40±0.15                                   | YES        | YES         | TAPE & REEL |
| 10034524-004C-TRLF | 1.20          | 2.00±0.15                                   | YES        | YES         | TAPE & REEL |
| 10034524-013TRLF   | 1.60          | 2.40±0.15                                   | YES        | NO          |             |



RECOMMENDED PAD LAYOUT FOR 10034524-001/-002



RECOMMENDED PAD LAYOUT FOR 10034524-003/-004/-013 (GENERAL TOLERANCE: ±0.08)  
(FOR MORE DIMENSIONS, REFER TO PAD LAYOUT FOR 10034524-001/-002)

- NOTES:
- MATERIAL:  
HOUSING & COVER: HIGH TEMPERATURE PLASTIC, BLACK, UL94V-0  
CONTACT & HOLD DOWN: COPPER ALLOY  
ADHESIVE TAPE: POLYIMIDE
  - FINISH:  
CONTACT: 1.27um Min. NICKEL UNDERPLATE OVERALL,  
1.91um Min. 100% MATTE TIN(LEAD-FREE) ON SOLDER TAIL,  
0.76um Min. GOLD ON CONTACT AREA  
HOLD DOWN: 1.91um Min. 100% MATTE TIN(LEAD-FREE) OVER  
1.27um Min. NICKEL UNDERPLATE OVERALL
  - RECOMMENDED PCB THICKNESS: 1.20 & 1.60mm
  - PART WITH PICK-UP CAP, P/N. XXXXXXXX-XXXCLF
  - PART NUMBER WITH SUFFIX '-TR' MEANS TAPE & REEL PACKAGING.  
E.G.: XXXXXXXX-XXXC-TRLF
  - PRODUCT SPECIFICATION: GS-12-282
  - PACKAGING SPECIFICATION: GS-14-952(TRAY); GS-14-1038(TAPE & REEL)
  - THIS PRODUCT MEETS EUROPEAN UNION DIRECTIVES AND OTHER  
COUNTRY REGULATIONS AS DESCRIBED IN GS-47-0004
  - THE HOUSING WILL WITHSTAND EXPOSURE TO 260°C PEAK  
TEMPERATURE FOR 10 SECONDS IN A CONVECTION, INFRA-RED  
OR VAPOR PHASE REFLOW OVEN
  - A SYMBOL  $\triangle$  WILL BE NEXT TO ANY DIMENSION, VIEW OR NOTE WHICH  
HAS BEEN MODIFIED WITH THE CURRENT DRAWING REVISION

|                                       |         |                |            |                       |                        |              |               |           |          |
|---------------------------------------|---------|----------------|------------|-----------------------|------------------------|--------------|---------------|-----------|----------|
| spec ref                              | dr      | wcadmin, wcadm | 2010/07/16 | projection            | MM                     | size         | A3            | scale     | 1:1      |
| tolerance std                         | eng     | Jeffrey Lim    | 2020/09/28 |                       |                        | ecn no       | ELX-S-38495-1 | rel level | Released |
| ASME Y14.5                            | chr     | -              | -          |                       |                        |              |               |           |          |
| TOLERANCES UNLESS OTHERWISE SPECIFIED | appr    | Koon-Poh Tay   | 2021/01/21 | product family        |                        |              |               |           |          |
| surface                               | linear  | 0.X            | ±-         |                       |                        | dwg no       | 10034524      | rev       | S        |
| ASME Y14.5                            | angular | 0.XX           | ±0.20      | SAS PLUG R/A          |                        |              |               |           |          |
|                                       |         | 0.XXX          | ±-         | TYPE ASSY, Z-HT. 0.80 |                        |              |               |           |          |
|                                       |         | 0°             | ±2°        | cat. no.              | Product - Customer Drw | sheet 4 of 4 |               |           |          |

Amphenol FCI

© 2016 AFCI