

PART NO.

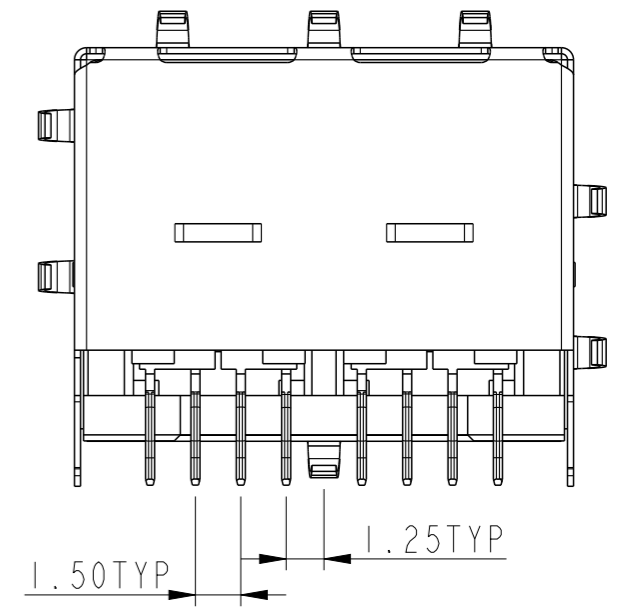
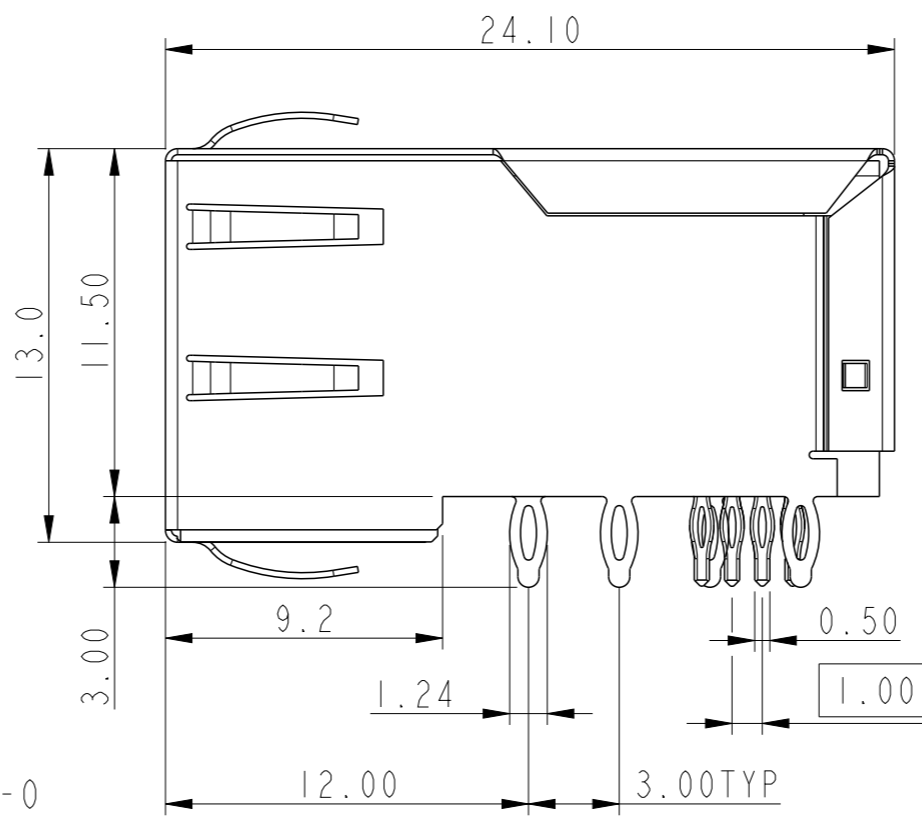
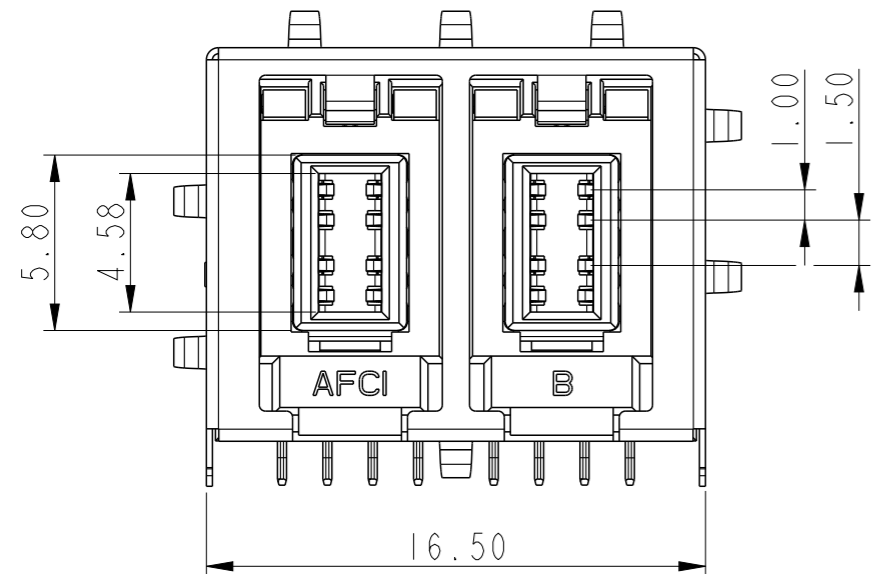
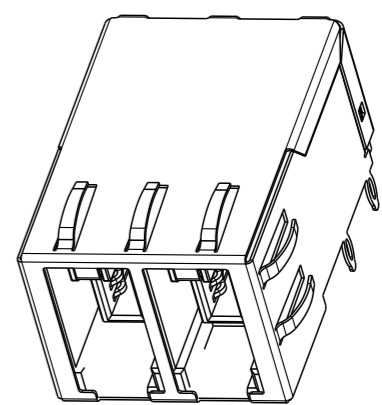
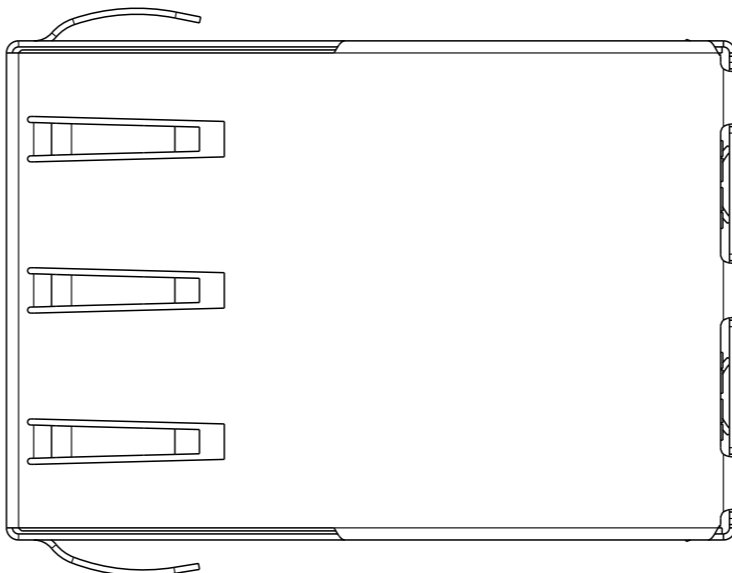
10133575-001LF

A

B

C

D



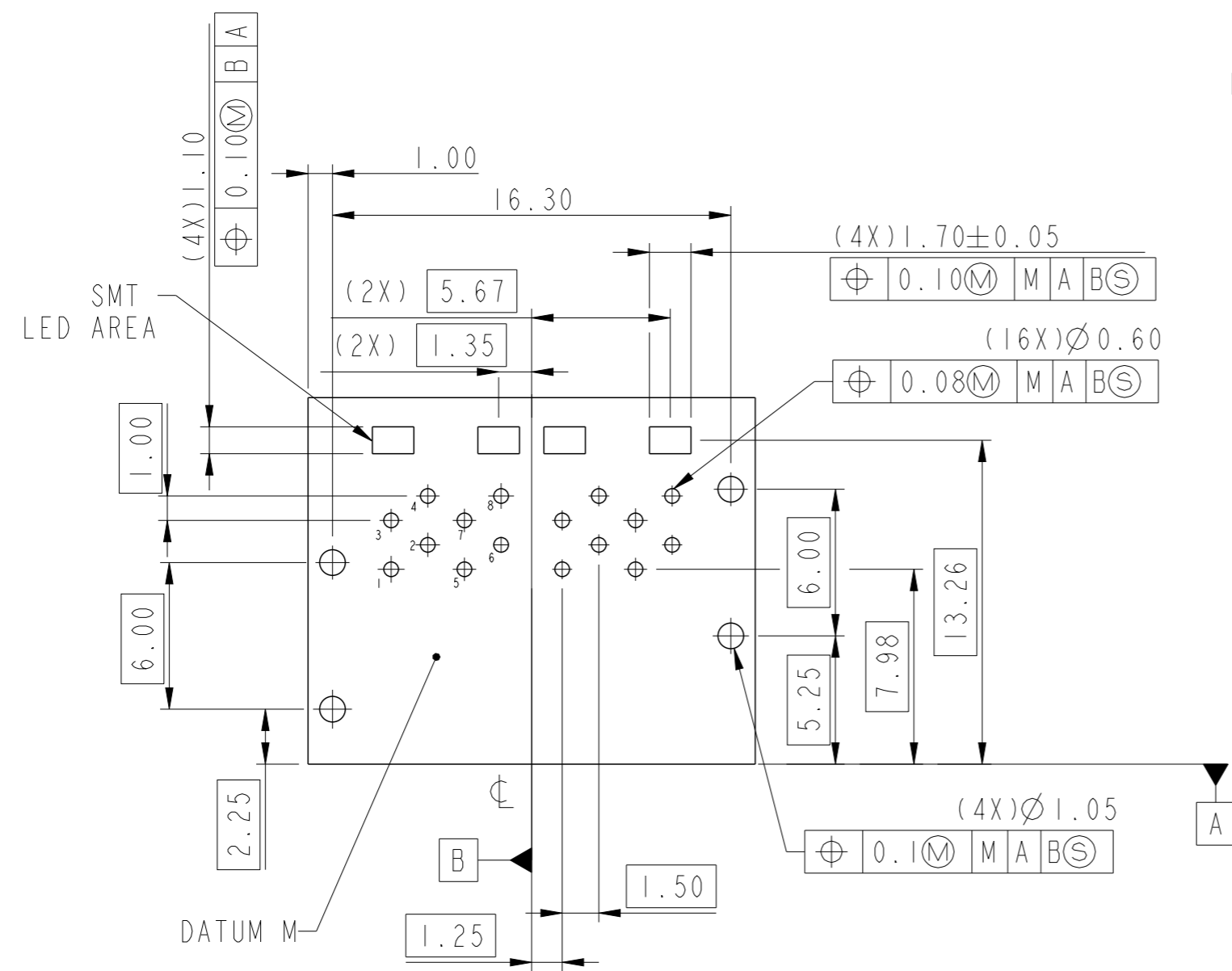
NOTES

1. MATERIAL:
 HOUSING: BLACK THERMOPLASTIC RATED UL 94V-0
 SHIELD: COPPER ALLOY WITH NICKEL PLATING.
 CONTACTS: COPPER ALLOY
 CONTACT PLATING: 0.05µm MIN GOLD OVER
 0.76µm MIN PdNi, AT MATING INTERFACE CONTACT AREA
2. LIGHT PIPE MATERIAL: CLEAR POLYCARBONATE
3. RECOMMENDED MIN PCB THICKNESS 1.5MM

spec ref		dr	Dipu Joseph	2017/01/17	projection	mm	size	A3	scale	2:1
tolerance std		eng	P-Mathew Nebu	2017/01/17			ecn no	-	rel level	Preliminary
ISO 406 ISO 1101		TOLERANCES UNLESS OTHERWISE SPECIFIED		product family						
surface	linear	0.X	±0.3	Amphenol FCI	2x1 SLIMLINE MODJACK RECEPTACLE		dwg no	10133575		rev
		0.XX	±0.1							
0.XXX	±.05									
ISO 1302	angular	0°	±2°	cat. no.	-	Product - Customer Drw	sheet 1 of 2		1	

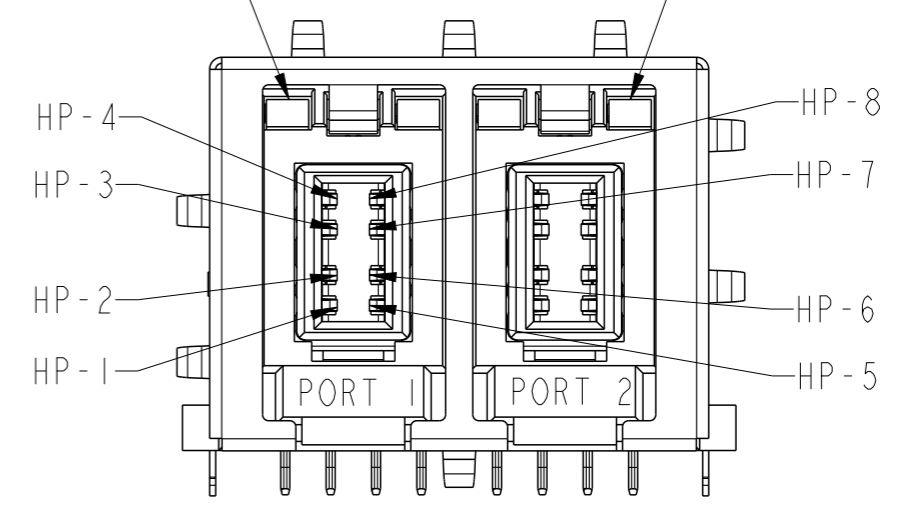
Amphenol FCI

© 2016 AFCI



RECOMMENDED PCB LAYOUT VIEWED FROM COMPONENT SIDE

LEFT LIGHT PIPE RIGHT LIGHT PIPE



TD0 +	HP-1	①	MX0 +
TD0 -	HP-2	②	MX0 -
TD1 +	HP-3	③	MX1 +
TD1 -	HP-4	④	MX1 -
TD2 +	HP-5	⑤	MX2 +
TD2 -	HP-6	⑥	MX2 -
TD3 +	HP-7	⑦	MX3 +
TD3 -	HP-8	⑧	MX3 -

spec ref	dr	Dipu Joseph	2017/01/17	projection	mm	size	A3	scale	2:1
tolerance std	eng	P-Mathew Nebu	2017/01/17			ecn no	-	rel level	Preliminary
ISO 406 ISO 1101	chr	-	-						
surface	linear	0.X	±0.3	Amphenol FCi		title 2x1 SLIMLINE MODJACK RECEPTACLE		dwg no 10133575	
		0.XX	±0.1						
ISO 1302	angular	0°	±2°	cat. no.	-	Product - Customer Drw		sheet 2 of 2	