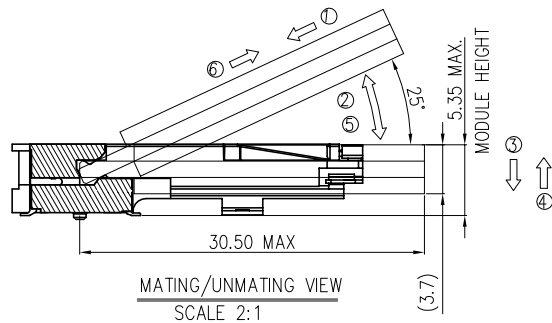
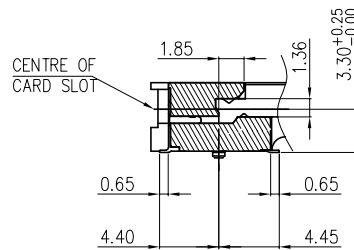
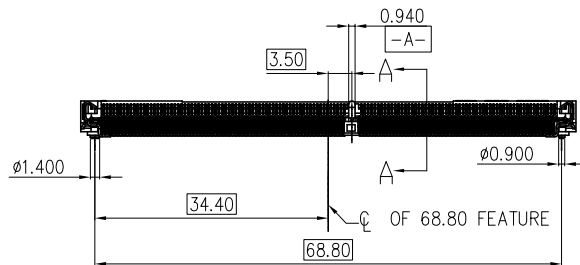
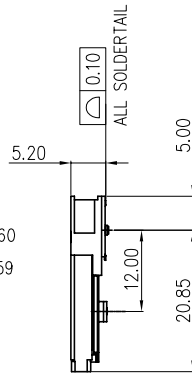
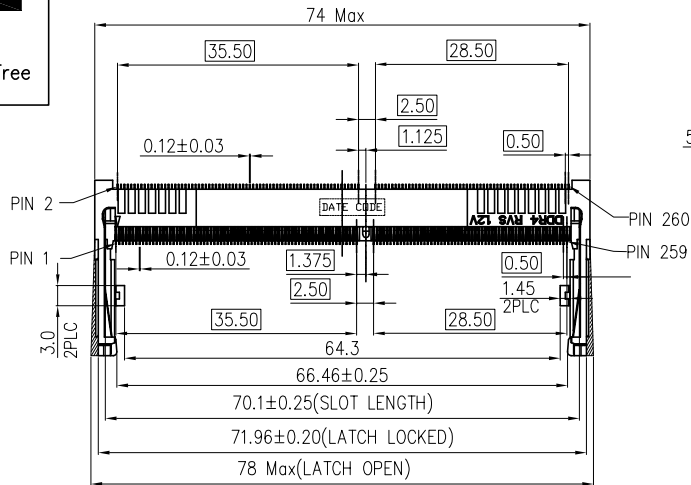


HF

Halogen Free



MATING: ① INSERTING (25°) — ② ROTATING — ③ FIXED
UNMATING: ④ UNFIXED — ⑤ ROTATING — ⑥ WITHDRAWING

NOTES:

1. MATERIAL:

- 1.1 HOUSING: LCP, UL94V-0, COLOR: BLACK.
- 1.2 CONTACT: PHOSPHOR BRONZE.
- 1.3 SOLDER PEG AND LATCH: STAINLESS STEEL.

2. FINISH:

- 2.1 CONTACT: 50u" MIN NICKEL UNDERPLATED ALL OVER.
GOLD FLASH PLATING ON SOLDER TAIL.
GOLD PLATING (THICKNESS SEE TABLE) ON CONTACT AREA.
- 2.2 SOLDER PEG:
50u" MIN NICKEL UNDERPLATED ALL OVER.
AU 2u" MAX ON SOLDER TAIL.

3. DATE CODE : FYYWDLX

- YY: YEAR (09: 2009)
- WW: WEEK (25: THE 25TH WEEK)
- D: DAY (1~7: SUNDAY~SATURDAY)
- L: LINE NUMBER OF ASSEMBLY (A: LINE A)
- X: D OR N (D: DAY; N: NIGHT)

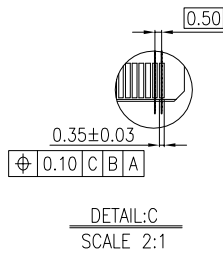
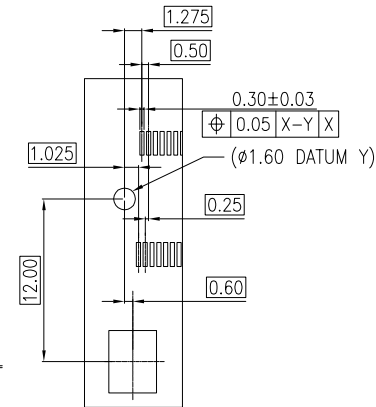
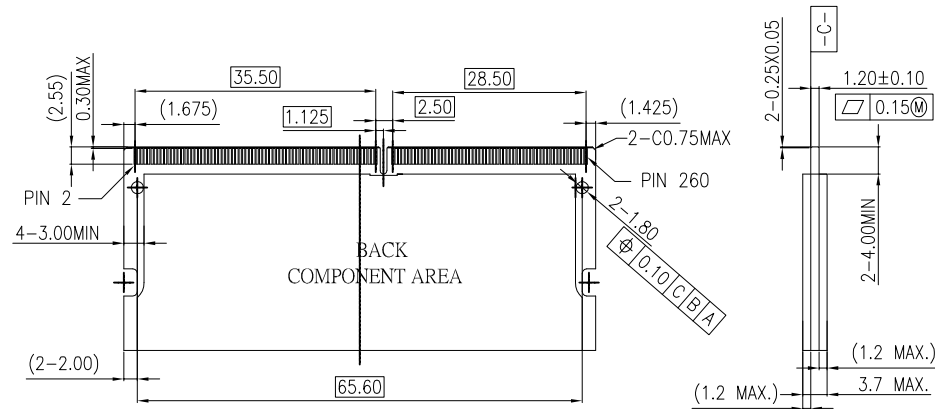
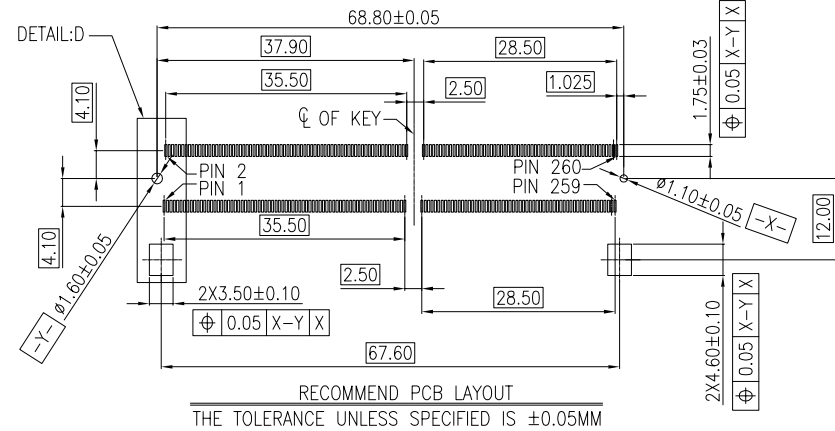
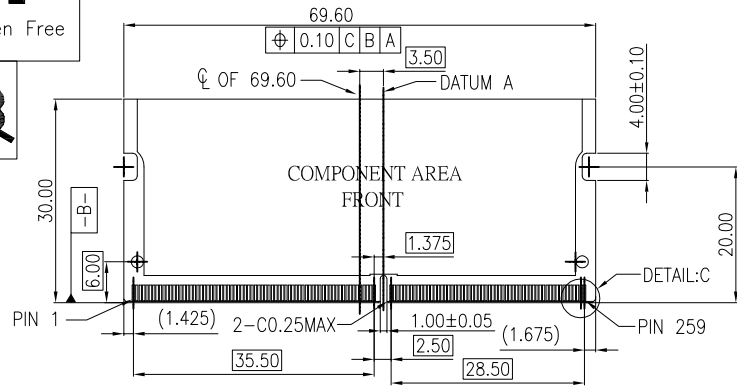
4. PART NUMBER DESCRIPTION:

10141731-00X R LF

- LF: LEAD FREE
- R: TAPE & REEL PACKING
- PLATING CODE:
- 1: GF
- 4: Au15u"
- 5: Au30u"

mat'l. code		surface		tolerance		projection		product family	
-		-		ASME_Y14.5				DDR	
ltr		ecn no		dr		date		title	
								DDR4_SO_DIMM_260P	
								5.2H_RVS_ASSEMBLY	
								dwg no	
								sheet 1 of 3	
								size	
								A4	
								type	
								CUSTOMER Drawing	
sheet index		revision		A					

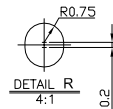
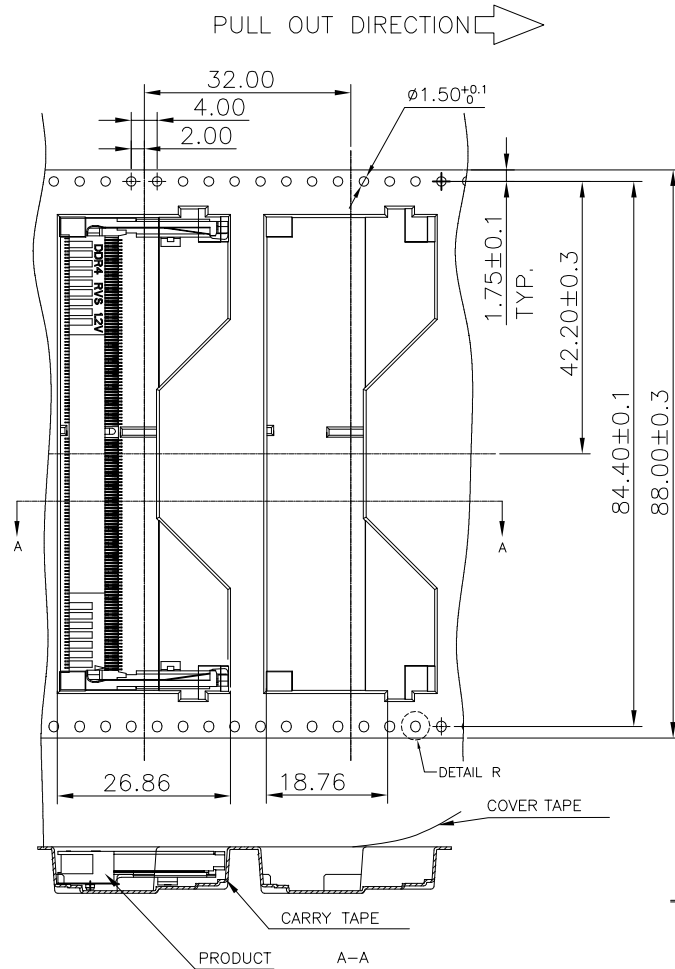
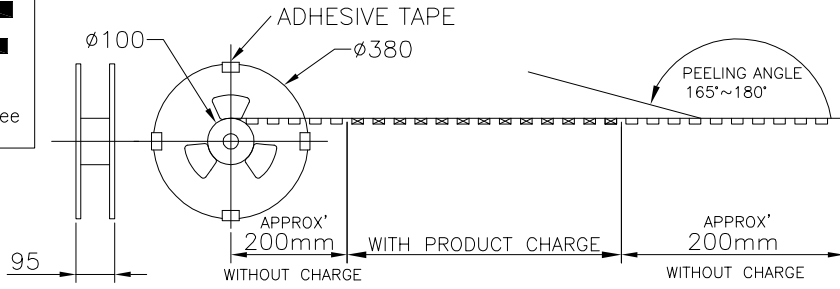
HF
Halogen Free



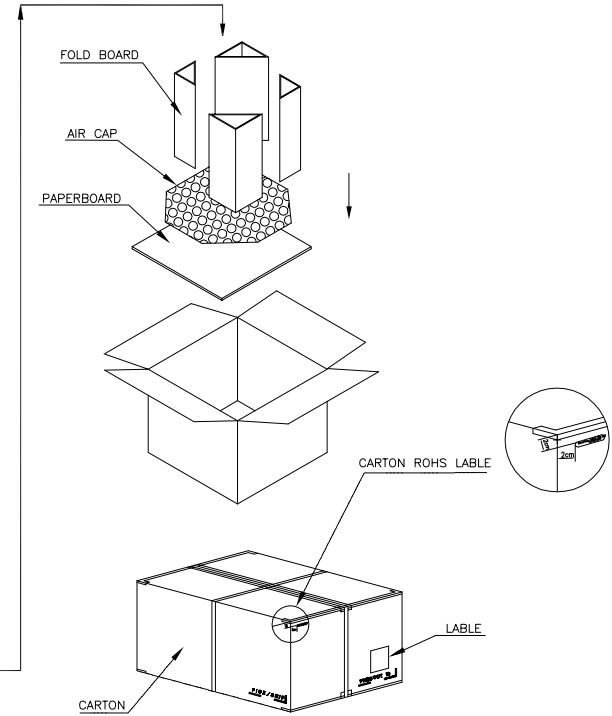
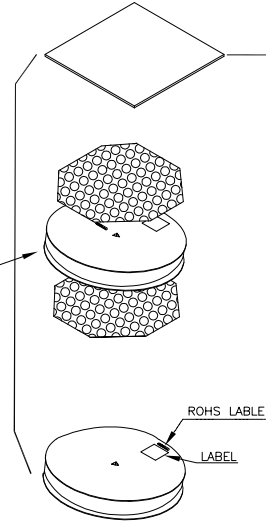
mat'l. code		surface		tolerance	projection	product family	
-		-		ASME_Y14.5		DDR	
ltr		ecn no		tolerances unless otherwise specified		title	
dr	date			angles	MM	DDR4_SO_DIMM_260P	
				Lineout		5.2H_RVS_ASSEMBLY	
				$\pm 2^\circ$	scale N/A	sheet 2 of 3	
dr	ZHENHUA_LIU	2016-11-02		$.0\pm 0.30$		size	
enr	ZHENHUA_LIU	2016-11-02		$.00\pm 0.20$		10141731	
chr	STONE_LI	2016-11-02		$.000\pm 0.10$		A4	
app	PM_ZHENG	2016-11-02				type	
sheet index	revision sheet	A				CUSTOMER Drawing	

HF

Halogen Free



REEL TOTAL 2 LAYERS



400	2	800
PCS/ REEL	REEL/ CARTON	PCS/ CARTON

mat'l. code	surface	tolerance	projection	product family
-	-	ASME_Y14.5		DDR
ltr	ecn no	dr	date	title
				DDR4_SO_DIMM_260P 5.2H_RVS_ASSEMBLY
				dwg no
				10141731
				sheet 3 of 3
				size
				A4
				type
				CUSTOMER Drawing

tolerances unless otherwise specified	projection	product family
angles		DDR
±2°	MM	DDR4_SO_DIMM_260P 5.2H_RVS_ASSEMBLY
dr	scale N/A	dwg no
ZHENHUA_LIU		10141731
engr		sheet 3 of 3
ZHENHUA_LIU		size
chr		A4
STONE_LI		type
appc		CUSTOMER Drawing
PM_ZHENG		
2016-11-02		
2016-11-02		
2016-11-02		
2016-11-02		