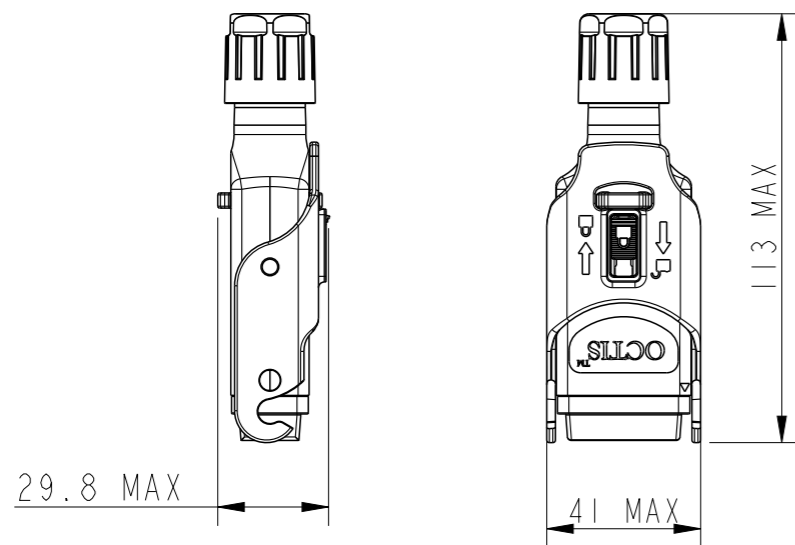
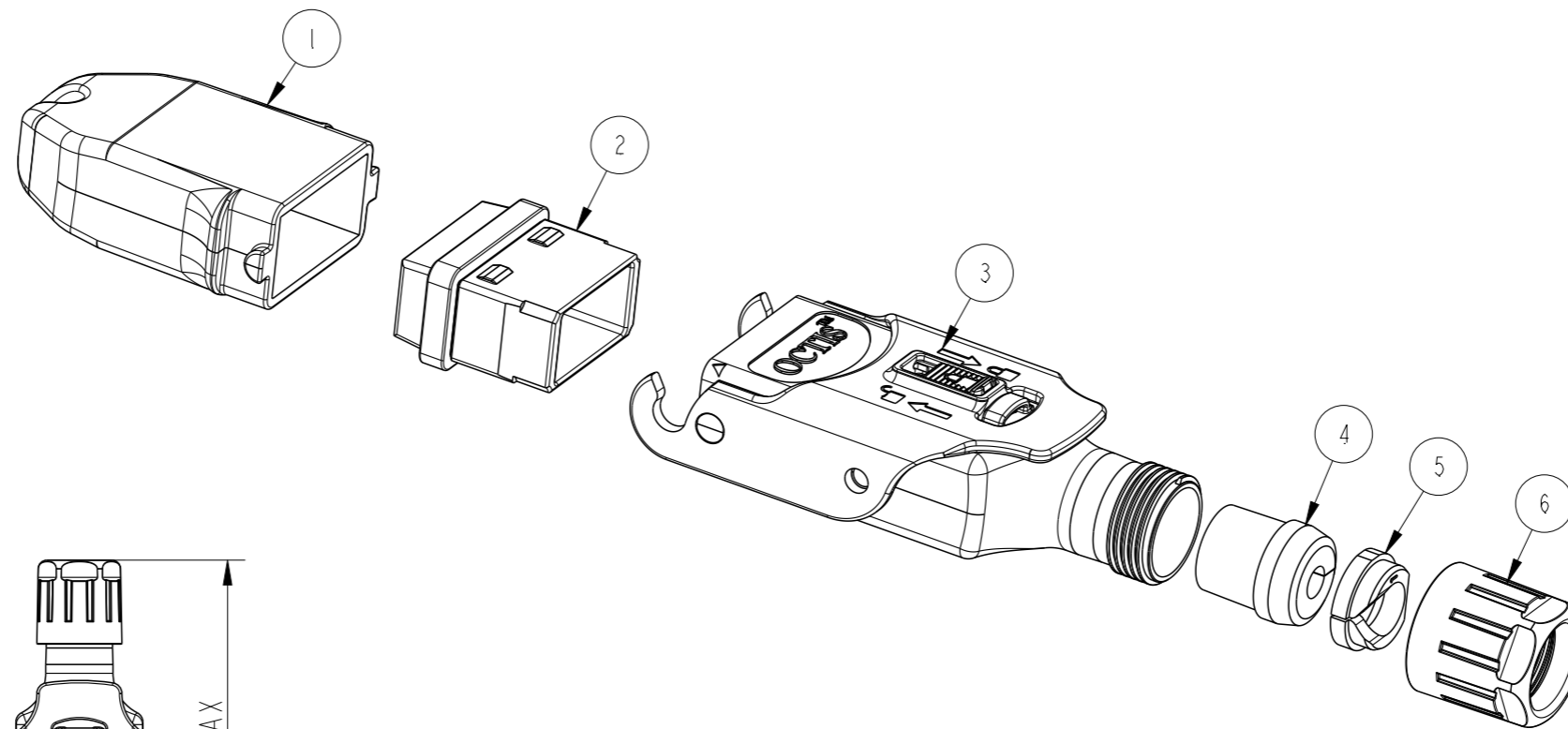


PART NUMBER
10145289-XYZLF

SEE TABLE

OCTIS WIDE BODY UNIVERSAL PLUG KIT SUITABLE FOR MPO TO QSFP

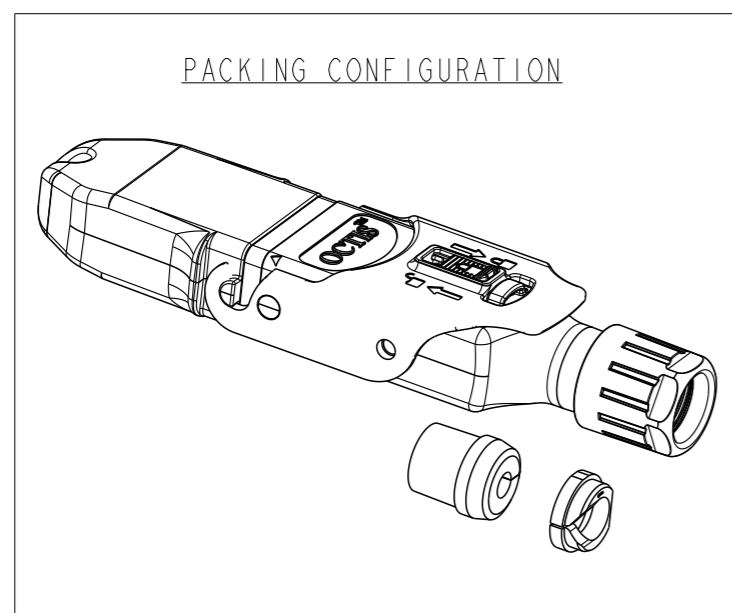


BOM OF PLUG KIT PART NO. 10145289-XYZLF

| SL.NO | COMPONENT | MATERIAL | QTY | REMARKS |
|-------|--------------------|-----------------|-----|-------------|
| 1 | PLUG CAP | PBT GF | 1 | - |
| 2 | HOLDER SUB KIT | SILICONE+PBT GF | 1 | - |
| 3 | HOUSING SUB KIT | PBT GF+IXEF | 1 | - |
| 4 | SPLIT RUBBER GLAND | SILICONE | 1 | - |
| 5 | TIGHTENING CONE | PA | 1 | - |
| 6 | NUT | PBT GF | 1 | COLOUR BLUE |

| AFCI PN | GLAND INNER DIA | CABLE SPEC | QTY |
|----------------|-----------------|------------|-----|
| 10145289-101LF | 6MM | SEE PAGE 2 | 1 |
| 10145289-102LF | 8MM | | 1 |
| 10145289-201LF | 6MM, 8MM | | 2 |
| 10145289-202LF | 10MM, 11.5MM | | 2 |

*OPTIONAL RUBBER GLAND INNER DIA OF 7MM AND 9MM AVAILABLE ON REQUEST



| | | | | | | | | | |
|---------------------------------------|---------|----------------|------------|------------|---|--------------|---------------|-----------|----------|
| spec ref | dr | Varghese, Bone | 2018/01/16 | projection | mm | size | A3 | scale | 3:10 |
| tolerance std | eng | Varghese, Bone | 2019/08/13 | | | ecn no | ELX-I-34402-1 | rel level | Released |
| TOLERANCES UNLESS OTHERWISE SPECIFIED | | | | | | | | | |
| surface | linear | 0.X | ±0.3 | | wide body universal plug kit for MPO to QSFP OCTIS field terminable, pitch 41 mm | dwg no | 10145289 | rev | E |
| | | 0.XX | ±.13 | | | | | | |
| | | 0.XXX | ±.050 | | | | | | |
| ISO 1302 | angular | 0° | ±2° | cat. no. | Product - Customer Drw | sheet 1 of 2 | | | |

Amphenol FCI

© 2016 AFCI

GENERAL CHARACTERISTICS

| | | |
|------------------------------------|---------------------------------------|--|
| Mechanical | | |
| Mating endurance (cycles) | IEC 61300-2-2 | 100 |
| Axial Tensile load (N min) | IEC 61300-2-4 | 150 |
| Vibration | IEC 61300-2-1 | - |
| Recom. coupling torque (N.cm) | - | 200 min / 250 max |
| Weight (g) | - | 64.87 |
| Environmental | | |
| Protection class (mated condition) | IEC 60529 | IP67 (*) |
| Operating temperature (°C) | IEC 61300-2-22 | -40 / +85 |
| Storage temperature (°C) | IEC 61300-2-22 | -40 / +85 |
| Humidity (damp heat) (%RH) | IEC 61300-2-19 | 5 / 95 |
| Salt Mist | IEC 61300-2-26 (ISO21207 method B) | 720h (To be tested) (*) |
| RoHS | - | Compliant |
| Flammability | UL 94 | V0 |
| UVB Resist | ASTM G154 | Compliant |
| Others: | | |
| Cable | - | Diameter Cable TBD ± 0.2 mm For other cable diameter, contact us. |
| Packaging | - | Unitary in plastic bag. With assembly note |

(*) Mated condition

| CABLE OUTER DIAMETER (MM) | RECOMMENDED GLAND SIZE |
|---------------------------|------------------------|
| FROM 4.8 MIN TO 5.8 MAX | "6" |
| FROM 5.8 MIN TO 6.8 MAX | "7" |
| FROM 6.8 MIN TO 7.8MAX | "8" |
| FROM 7.8 MIN TO 8.8MAX | "9" |
| FROM 8.8 MIN TO 9.8MAX | "10" |
| FROM 10.3 MIN TO 11.3MAX | "11.5" |

| | | | | | | | | | |
|---------------------------------------|---------|----------------|------------|------------|---|----------------------|----------|------------------------|--------------|
| spec ref | dr | Varghese, Bone | 2018/01/16 | projection | mm | size | A3 | scale | 3:10 |
| tolerance std | eng | Varghese, Bone | 2019/08/13 | | | ecn no ELX-I-34402-1 | | | |
| TOLERANCES UNLESS OTHERWISE SPECIFIED | | | | | | product family | OCTIS | rel level Released | |
| surface | linear | 0.X | ±0.3 | | WIDE BODY UNIVERSAL PLUG KIT FOR MPO TO QSFP OCTIS FIELD TERMINABLE, PITCH 41 MM | dwg no 10145289 | rev | | |
| | | 0.XX | ±.13 | | | | E | | |
| ISO 1302 | angular | 0° | ±2° | | | | cat. no. | Product - Customer Drw | sheet 2 of 2 |