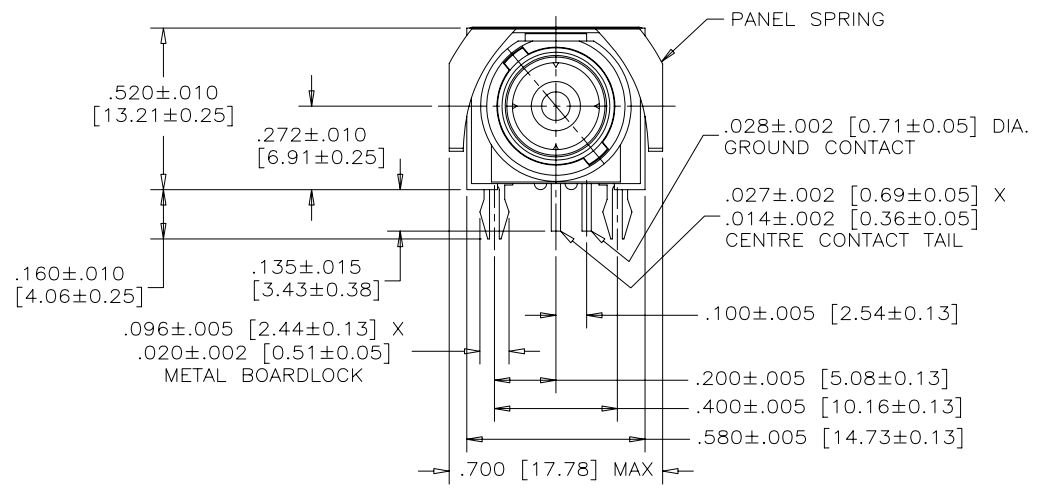
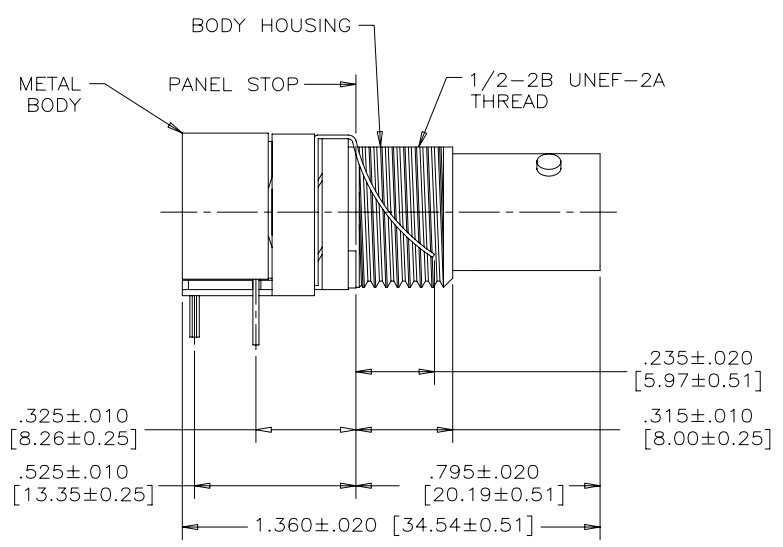


REVISIONS			
REV	ECN, ERN NO.	DATE	APPRD.
A	PRODUCT DRAWING	JAN11/06	K.L.



MECHANICAL SPECIFICATION:

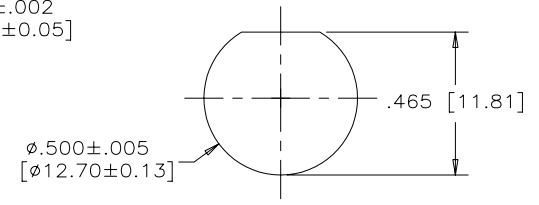
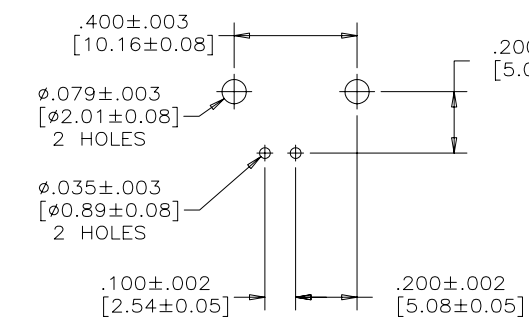
ALL MATERIALS ARE RoHS COMPLIANT

BODY HOUSING: THERMOPLASTIC POLYESTER

GROUNDING DEVICE: COPPER ALLOY, TIN PLATED

CENTRE CONTACT: PHOSPHOR BRONZE, 10 MICRINCHES [0.25 MICRONS] GOLD PLATED OVER NICKEL ON MATING AREA WITH TIN ON TAIL

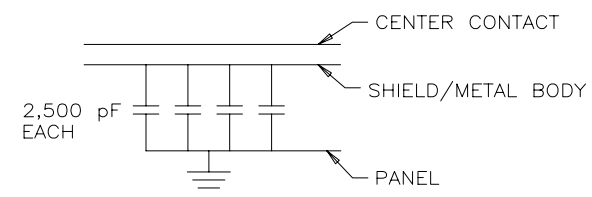
METAL BODY: HIGH STRENGTH ZINC DIE-CAST NICKEL PLATED



P.C.B. CONFIGURATION

ELECTRICAL SPECIFICATION:

CAPACITANCE	10000 pF ± 15%
DIELECTRIC WITHSTANDING VOLTAGE	1000 VDC 500 VRMS
WORKING VOLTAGE	200 VDC
IMPEDANCE (SEE PART NUMBER)	50 OR 75 OHM NOMINAL
OPERATING TEMPERATURE	-20°C TO +85°C



CIRCUIT DIAGRAM

AMPHENOL PART NO.	IMPEDANCE
456E-117	50 OHM
456E-717	75 OHM

NOTE: BOARDLOCKS ARE ELECTRICALLY CONNECTED TO THE BODY.

DRAWN	A. CHENG	DATE	JAN10/06
DESIGNED			
CHECKED	K. LAMBIE	DATE	JAN11/06
I. E. APPRD.			
Q. A. APPRD.			
DWG. APPRD.			
ENG. REL. NO.			
REF.	EAR 12900		
DIMENSIONS ARE IN	CODE ID. NO.		
INCHES [mm]	03554		

Amphenol Canada Corp.

456E SERIES B.N.C. RIGHT ANGLE CAPACITIVELY DECOUPLED CONNECTOR, 10,000 pF, RoHS COMPLIANT

DWG	DRAWING NO.	REV.
C	P-456E-X17	A

SCALE 3/1 WT. ----- SURF. ----- SHEET 1 OF 1

THIS DOCUMENT CONTAINS PROPRIETARY INFORMATION AND SUCH INFORMATION MAY NOT BE DISCLOSED TO OTHERS FOR ANY PURPOSE OR USED FOR MANUFACTURING PURPOSES WITHOUT WRITTEN PERMISSION FROM AMPHENOL CANADA CORP.