

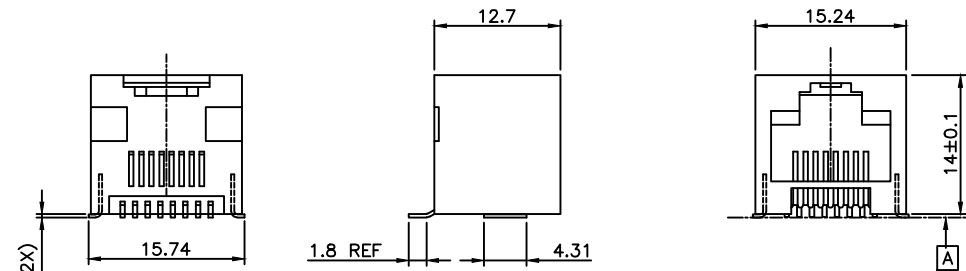
PRODUCT NUMBER
73304-XXXLF

PLATING OPTION	
1=	GXT 0.76 μ m
3=	GOLD 0.76 μ m
5=	GOLD 1.27 μ m

PACKAGE OPTION	
1=	TAPE ON REEL
2=	TUBE
3=	TAPE ON REEL IN PLASTIC BAG

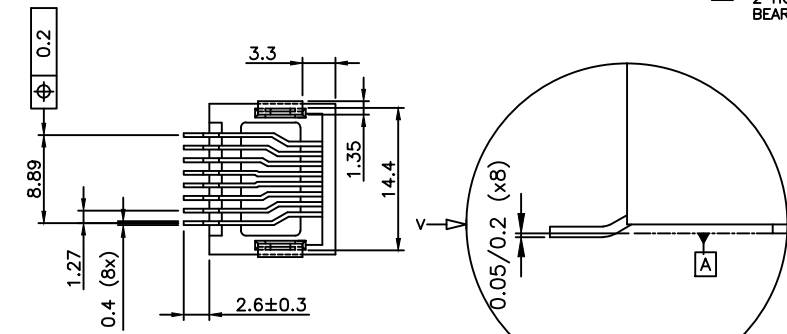
TERMINAL LOADING	
1=	FULLY LOADED
2=	POS 1,2,7,8
3=	POS 3,4,5,6

WHEN NEEDED, SUFFIX LETTER "LF" INDICATES THE PRODUCT IS RoHS COMPATIBLE, SEE NOTE 4.

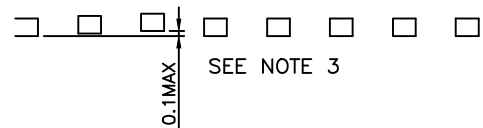


REFERENCE PLAN DEFINED BY THE 2 HOLD DOWN BEARING SURFACE

- NOTES:
- MATERIAL: HOUSING: HIGH TEMP. PCT, COLOUR BLACK.
TERMINAL: PHOSPHOR BRONZE.
 - PLATING: CONTACT AREA: SEE TABLE.
SOLDER TAIL : 90/10 SnPb 2 μ m MIN.
WHEN SUFFIX "LF" IS REQUIRED, 2 μ m MIN MATTE TIN OVER 1.27 MIN Ni IS SUPPLIED INSTEAD OF SnPb.
NO RAW EDGES EXEPT SOLDER TAIL TIPS
 - SOLDER TAILS COPLANARITY : 0.1 mm
 - RoHS COMPATIBLE PRODUCT SPECIFICATIONS
 - PLATING:
 - "LF" MEANS THE PRODUCT IS LEAD-FREE, 2 μ m MINIMUM MATTE TIN OVER 1.27 μ m MINIMUM NICKEL UNDERPLATE.
 - MANUFACTURING PROCESS COMPATIBILITY
 - THE HOUSING WILL WITHSTAND EXPOSURE TO 245°C PEAK TEMPERATURE FOR 30 SECONDS MAX IN A CONVECTION, INFRA-RED OR VAPOR PHASE OR REFLOW OVEN.
 - LABELING:
 - MEETS PACKAGING SPECS AS PER GS-14-920
 - LEGAL STATEMENT: SEE GS-47-0004
 - PACKAGING FOR OPTION 3 : EACH REEL IS WRAPPED INTO A PLASTIC BAG TO PROTECT FROM MOISTURE DURING STACKING TIME.



VIEW ACCORDING "V"



CUSTOMER COPY FOR REFERENCE ONLY

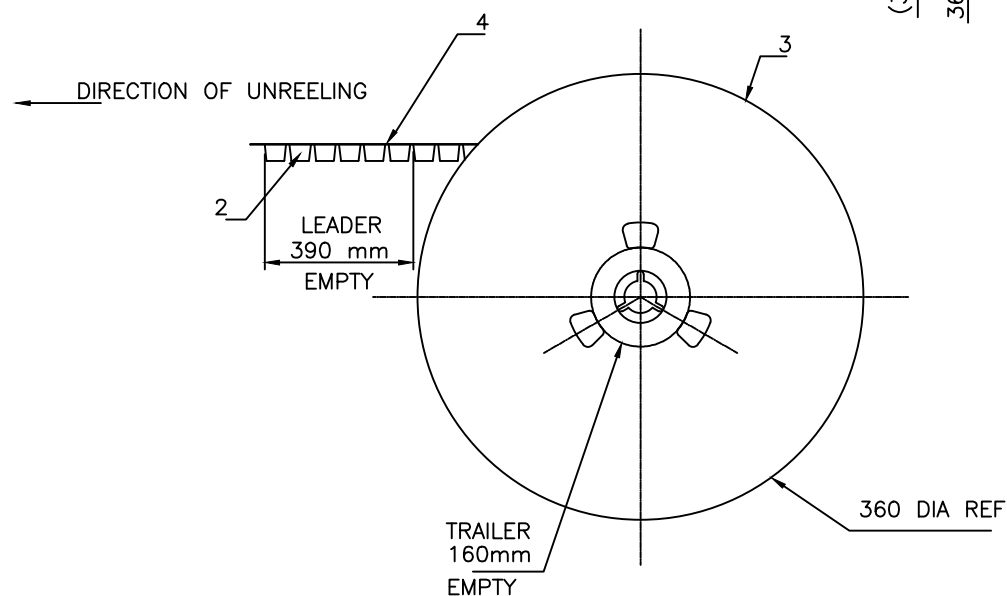
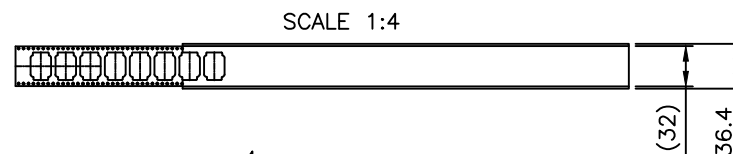
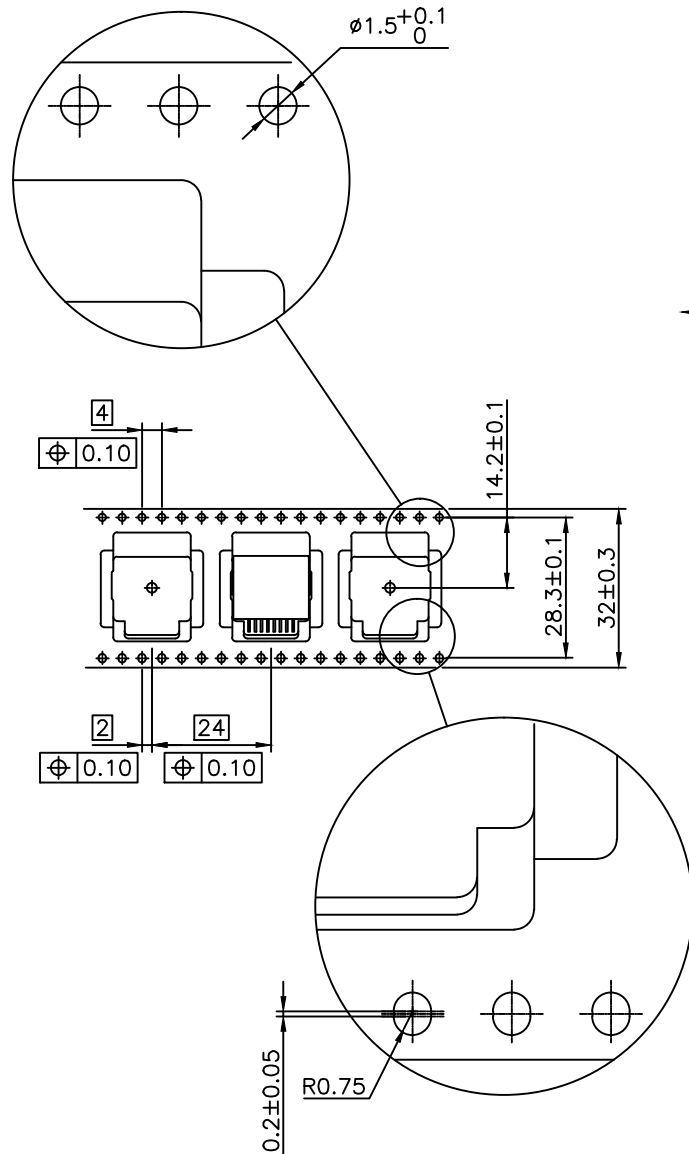
mat'l. code		surface		tolerance		projection		product family	
		ISO 1302 ✓		ISO 406 ISO 1101				MOD JACK	
ltr		ecn no		date		tolerances unless otherwise specified		title	
H		F06-0240		DLE 06.07.18		±0.13		SMT RA JACK	
J		F09-0070		LSA 02.07.23		Linear		8 POS OUTSIDE	
K		B-15798		JFA 13.09.09		±2'		scale 2:1	
L		F-21888		AMA 15.09.09		dr		D LEGRAND 03.01.27	
						enr		F TISSERAND 03.01.27	
F		F04-0363		DLE 04.10.18		chr		JF NOTTEAU 03.01.27	
G		F05-0247		DLE 05.09.12		appd		F.TI 03.01.27	
sheet		revision		L		E		B	
index		sheet		1		2		3	
								dwg no	
								73304	
								sheet 1 of 3	
								size	
								A3	
								type	
								CUSTOMER Drawing	



Copyright FCI

PRODUCT NUMBER
SEE SHEET 1

LTR	PART NAME	QTY
1	PRODUCT	230
2	TAPE	1
3	REEL	1
4	COVER TAPE	1



1- IN ACCORDANCE WITH EIA-481 AND IEC 296-3

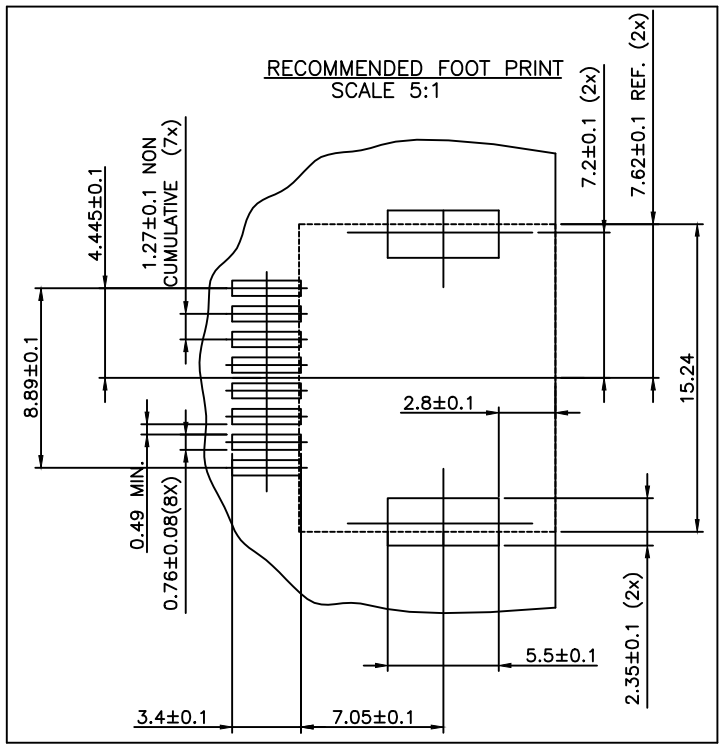
CUSTOMER COPY FOR REFERENCE ONLY

mat'l. code	surface ISO 1302 ✓	tolerance ISO 406 ISO 1101	projection mm	product family MOD-JACK
ltr	ecn no	dr	date	title SMT RA JACK 8 POS. OUTSIDE
D	D80620	DLE	98.11.26	scale 2:1
E	F06-0240	DLE	06.07.18	
tolerances unless otherwise specified		angles	linear	FCJ
dr	D LEGRAND	04.10.18		dwg no
enr	P NIZZI	04.10.18		73304
chr	D LEGRAND	04.10.18		sheet 2 of 3
app	P NIZZI	04.10.18		A3
sheet index	revision sheet			type CUSTOMER Drawing



FCconnect.com

Copyright FCJ



CUSTOMER COPY FOR REFERENCE ONLY

mat'l. code		surface		tolerance		projection		product family	
		ISO 1302 <input checked="" type="checkbox"/>		ISO 406 ISO 1101				MOD JACK	
ltr		ecn no		date		tolerances unless otherwise specified		title	
A		F04-0363 DLE		04.10.18		±0.13		SMT RA JACK	
B		F06-0240 DLE		06.07.18		mm		8 POS OUTSIDE	
		angles		linear		scale 2:1		dwg no	
		±2°						sheet 3 of - size	
		dr		D LEGRAND		04.10.18		73304	
		engr		P NIZZI		04.10.18		A4	
		chr		D LEGRAND		04.10.18		type	
		appd		P.NZ		04.10.18		CUSTOMER Drawing	
sheet index		revision sheet							



FCconnect.com

Copyright FCJ

