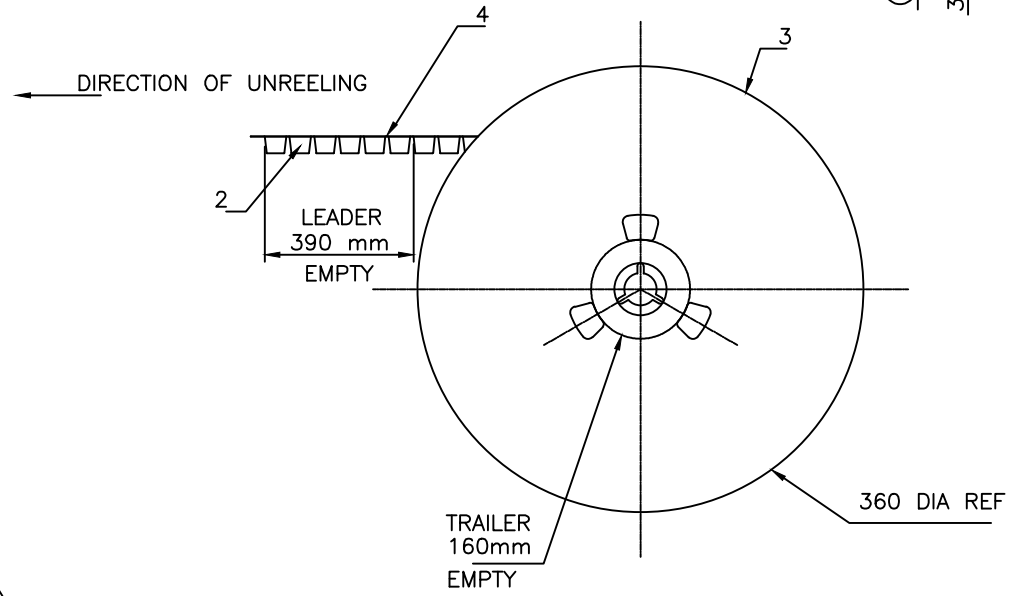
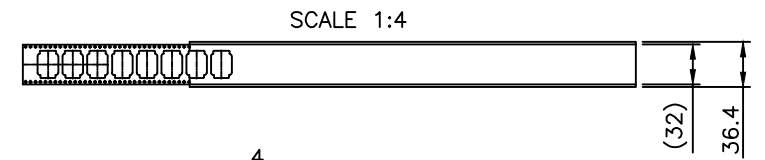
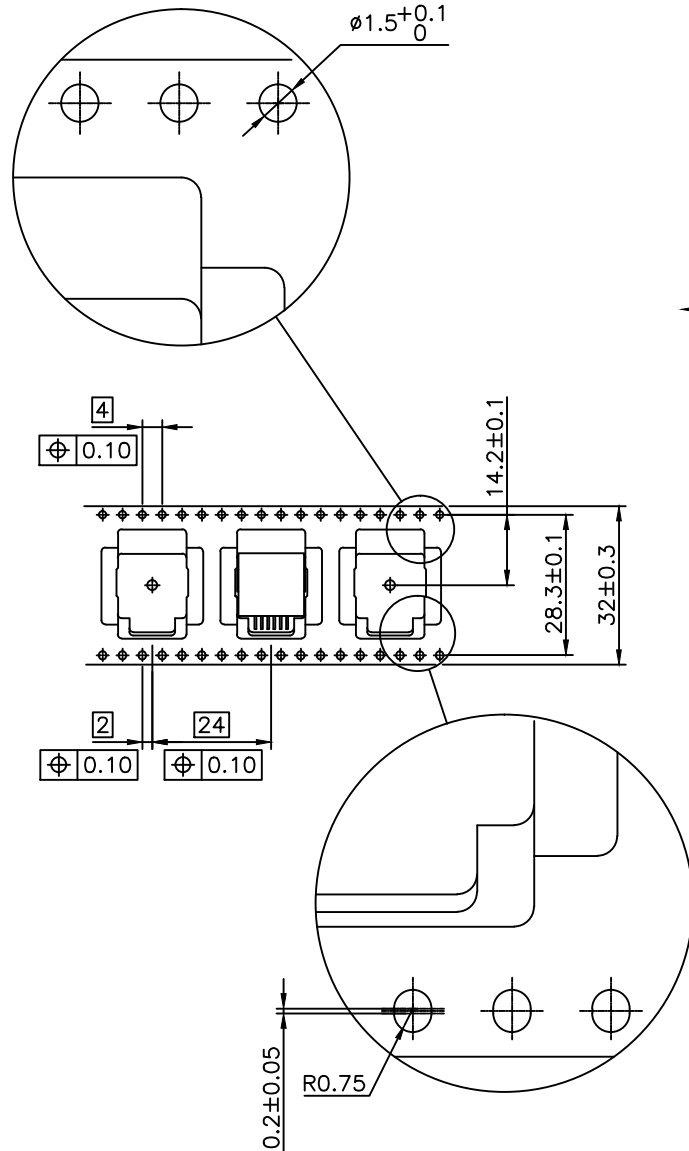




PRODUCT NUMBER  
SEE SHEET 1

LTR	PART NAME	QTY
1	PRODUCT	230
2	TAPE	1
3	REEL	1
4	COVER TAPE	1



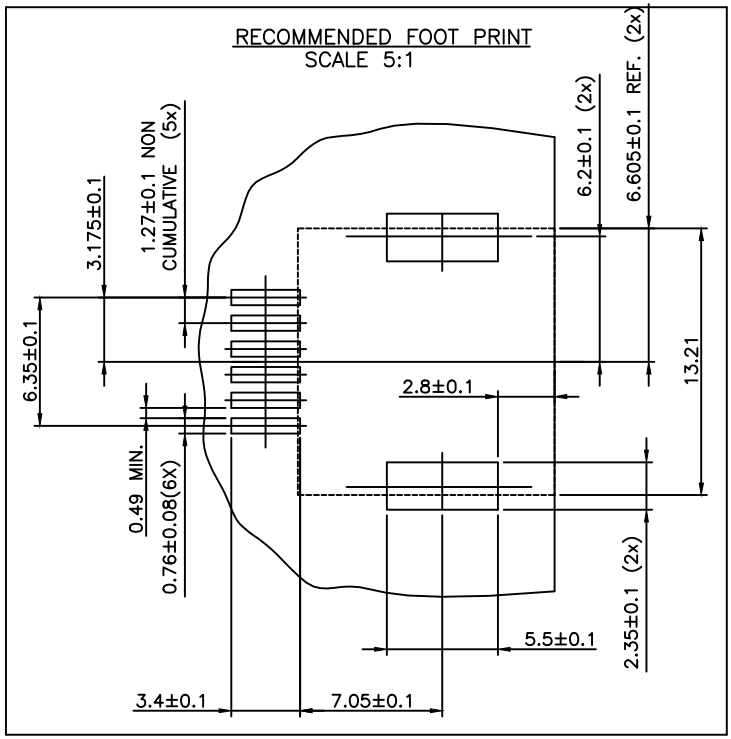
1- IN ACCORDANCE WITH EIA-481 AND IEC 296-3

CUSTOMER COPY FOR REFERENCE ONLY

mat'l. code		surface		tolerance		projection		product family	
		ISO 1302 ✓		ISO 406 ISO 1101		mm		MOD-JACK	
ltr	ecn no	dr	date	tolerances unless otherwise specified				title	
D	F80620	DLE	98.11.26	angles linear				SMT RA JACK	
E	F06-0240	DLE	06.07.18					6 POS. OUTSIDE	
		dr	D LEGRAND	06.07.18	FCJ		dwg no		
		enr	P NIZZI	06.07.18			sheet 2 of 3 size		
		chr	D LE	06.07.18			73305 A3		
		appd	P NZ	06.07.18			type		
								CUSTOMER Drawing	
sheet index	revision sheet								



Copyright FCJ



FCconnect.com

Copyright FCJ

**CUSTOMER COPY FOR REFERENCE ONLY**

mat'l. code		surface		tolerance		projection		product family	
		ISO 1302		ISO 406 ISO 1101				MOD JACK	
ltr		ecn no		date		tolerances unless otherwise specified		title	
A		F04-0363		DLE 04.10.18		±0.13		SMT RA JACK	
B		F06-0240		DLE 06.07.18		mm		6 POS OUTSIDE	
				angles		linear		scale 2:1	
				±2'					
		dr		D LEGRAND		04.10.18		dwg no	
		engr		P NIZZI		04.10.18		sheet 3 of - size	
		chr		D LEGRAND		04.10.18		73305	
		appd		P NZ		04.10.18		A4	
sheet index		revision sheet						type	
								CUSTOMER Drawing	



form: A4