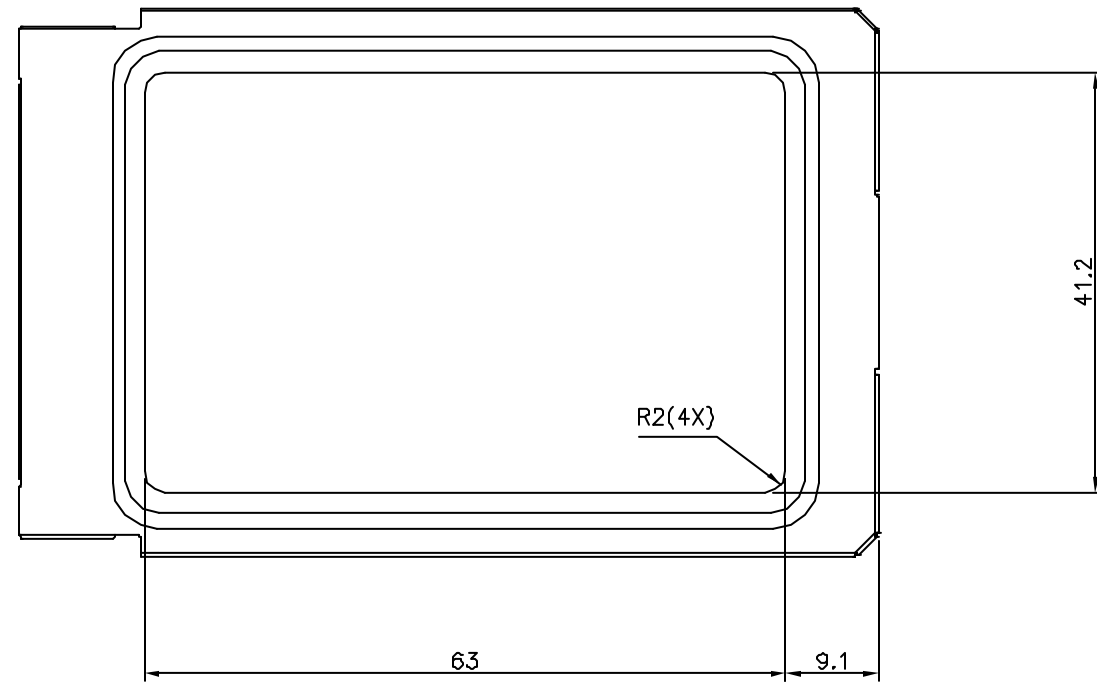
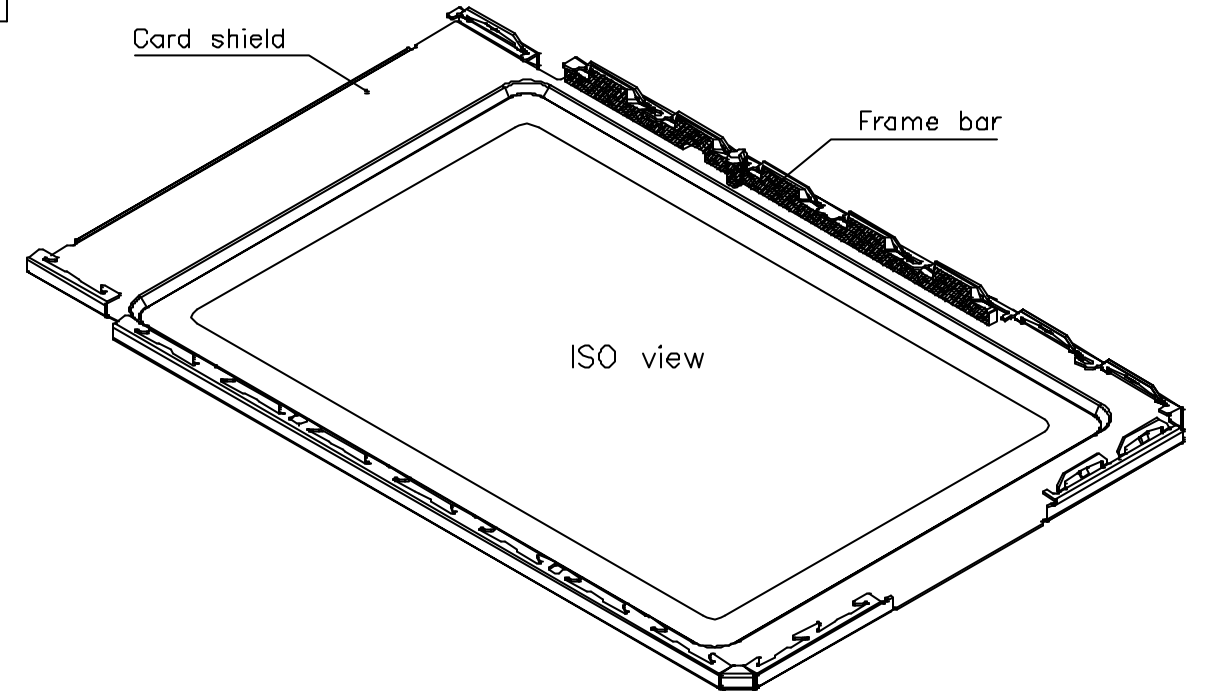
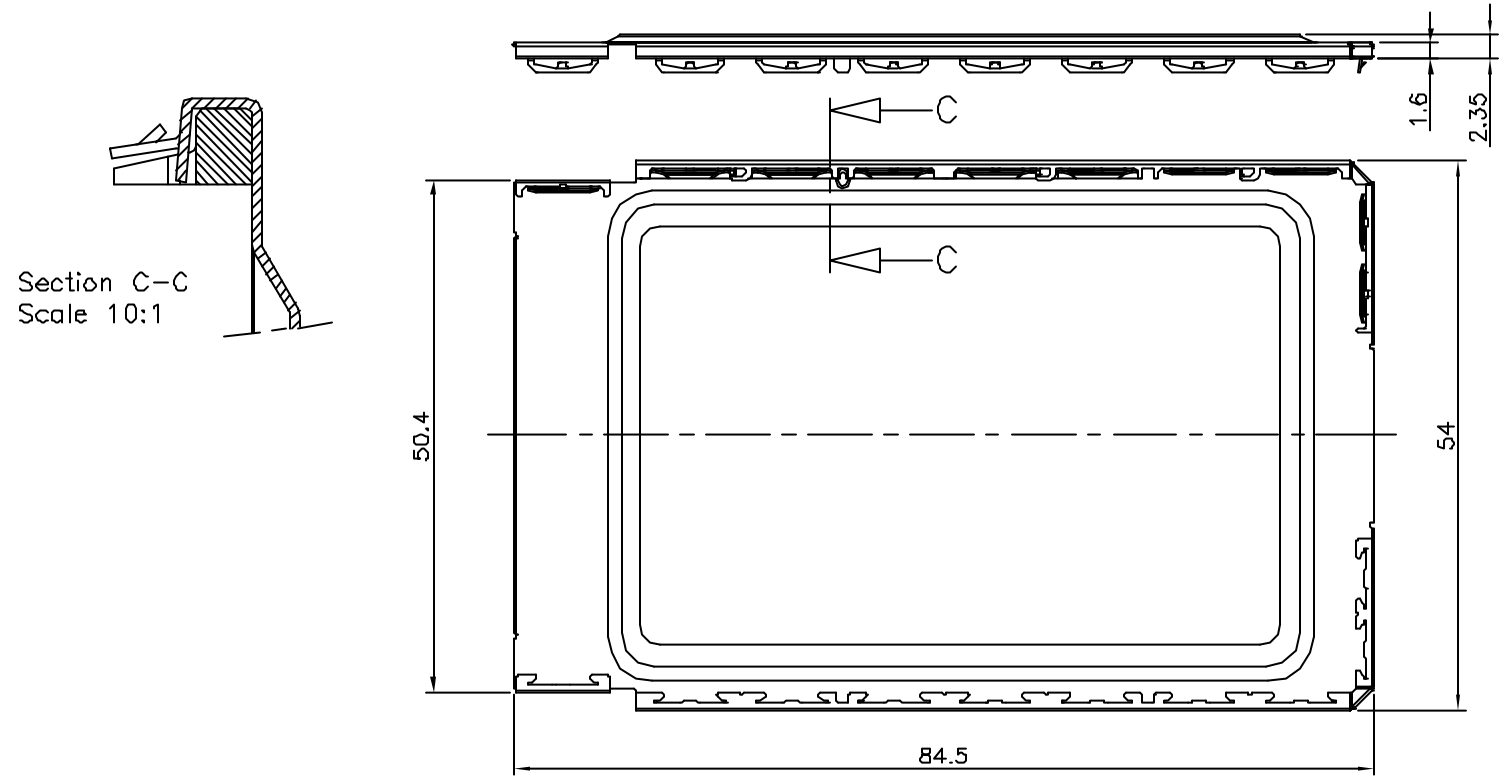


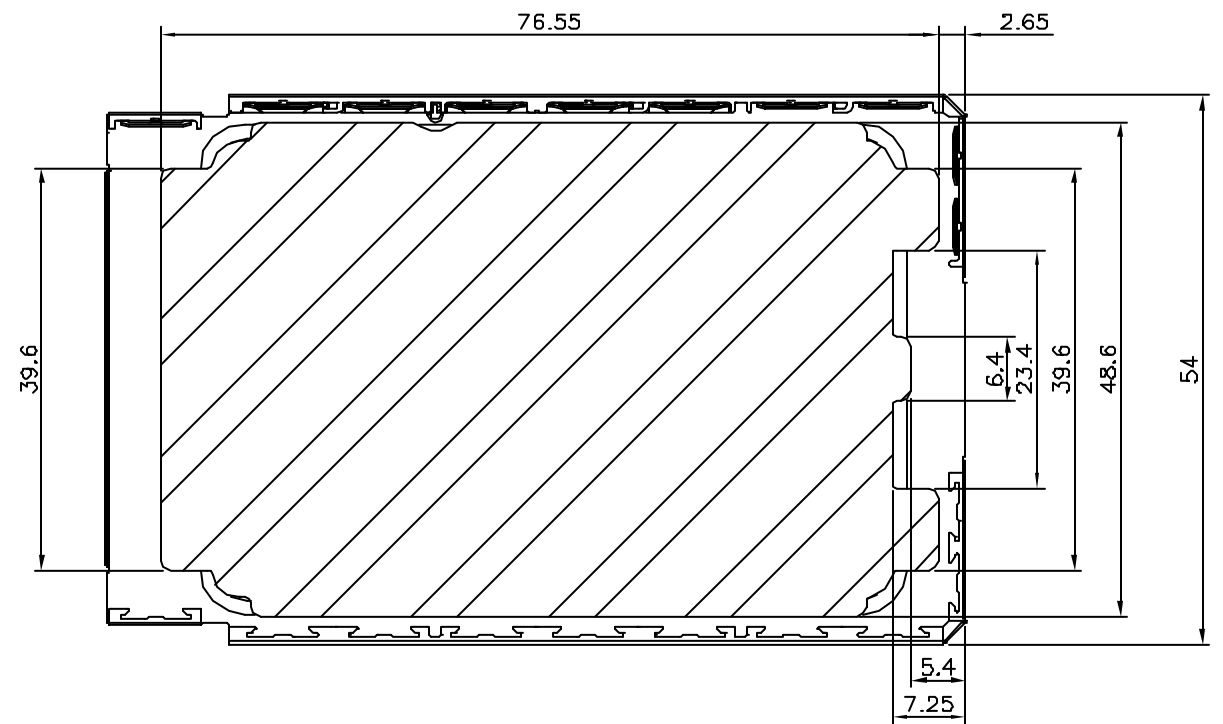


Product number	Insulator	Label recess
83808-21000LF	no	no
83808-21010LF	yes	no
83808-21100LF	no	yes
83808-21110LF	yes	yes

Product number	Packaging
83808-xxxxLF	1000 Rocard Shield/Box
83808-xxxxSLF	200 Rocard Shield/Box



Version: Label recess  
(maximum label thickness 0.07 mm)

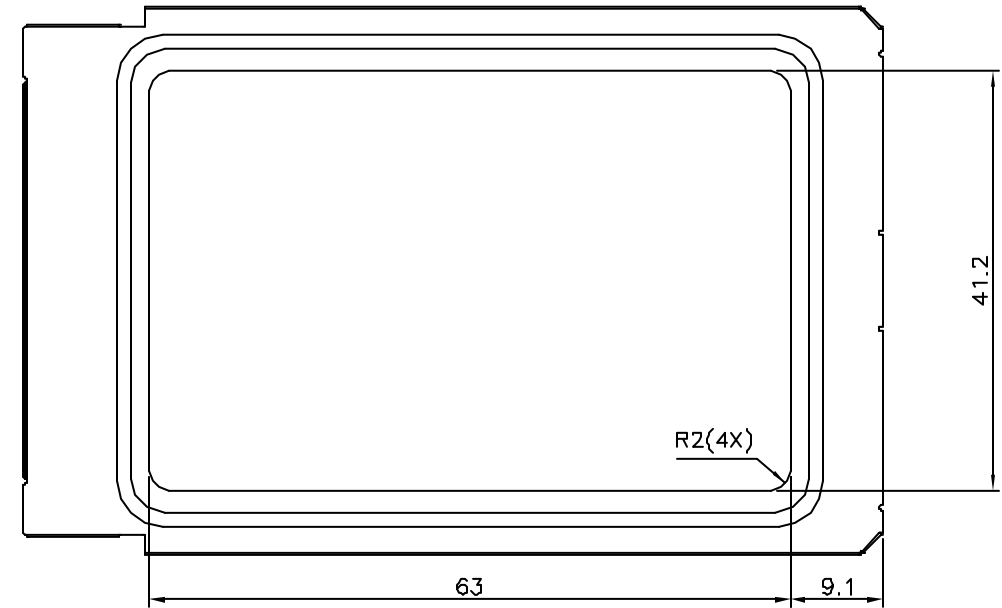
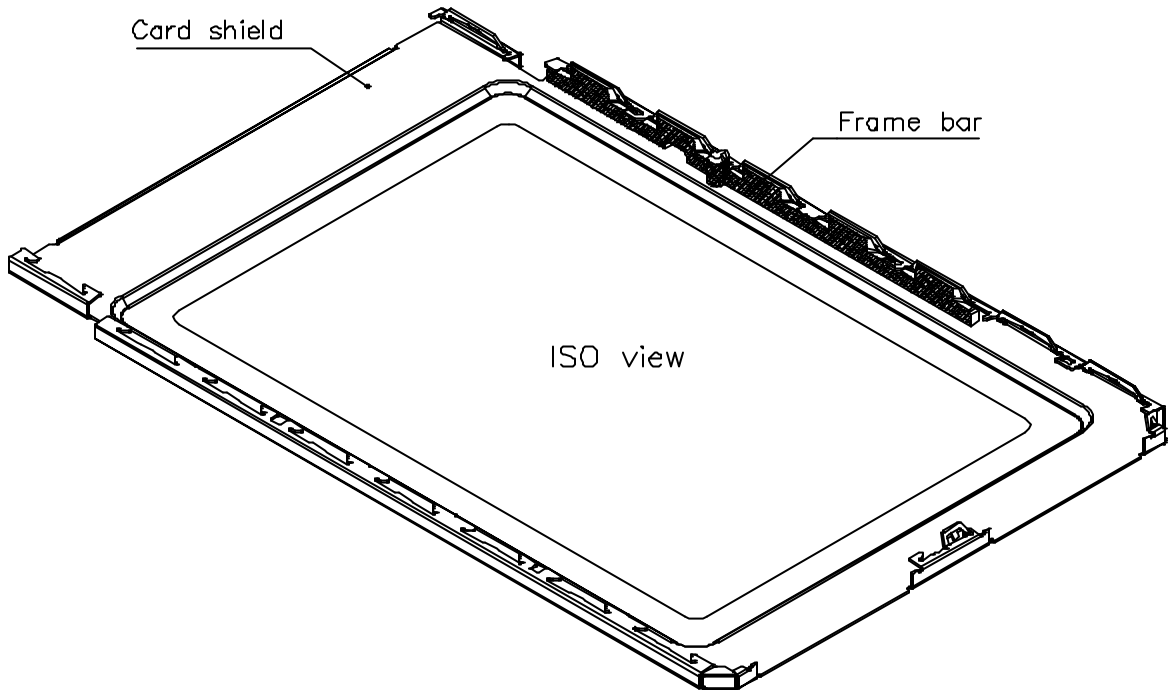
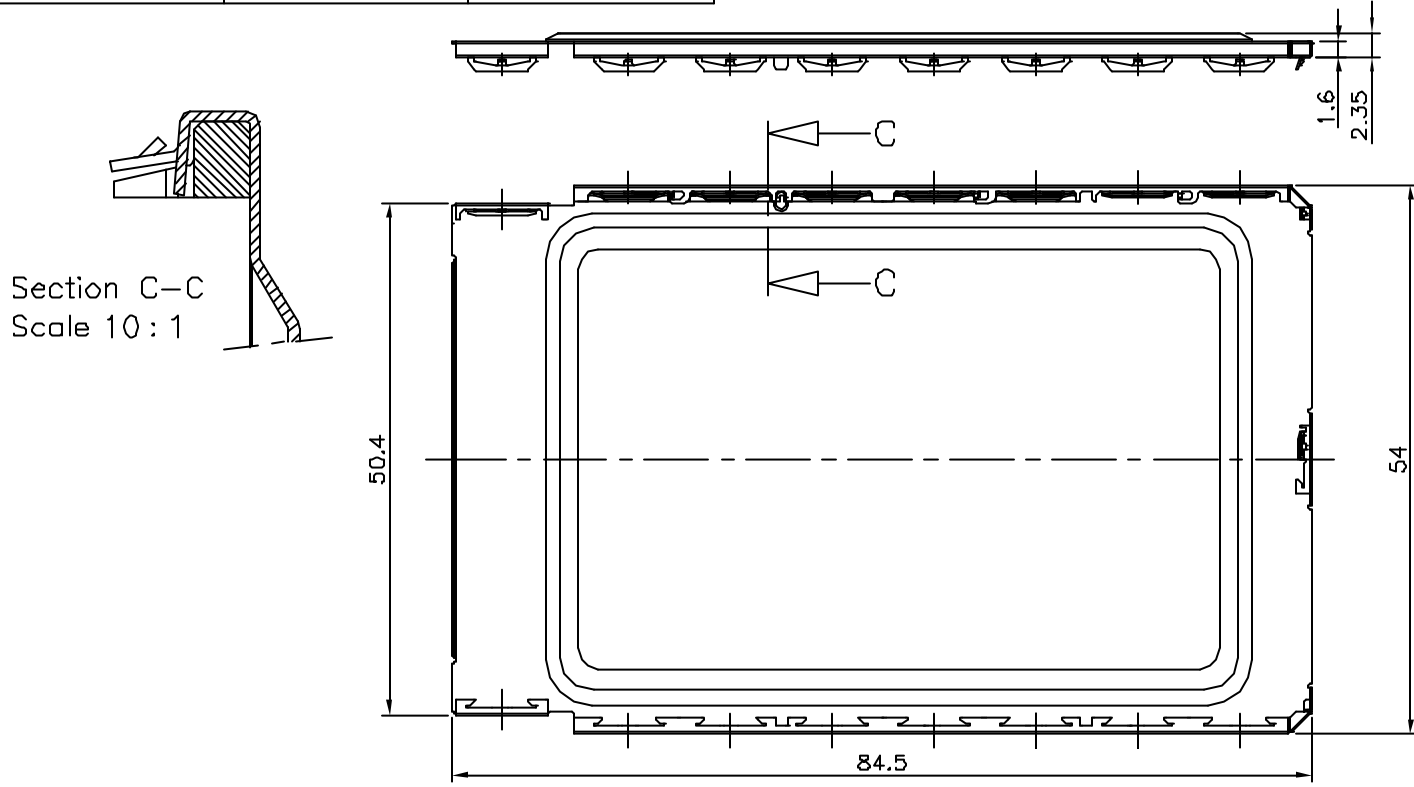


Version: Insulator  
(thickness 0.07 mm)

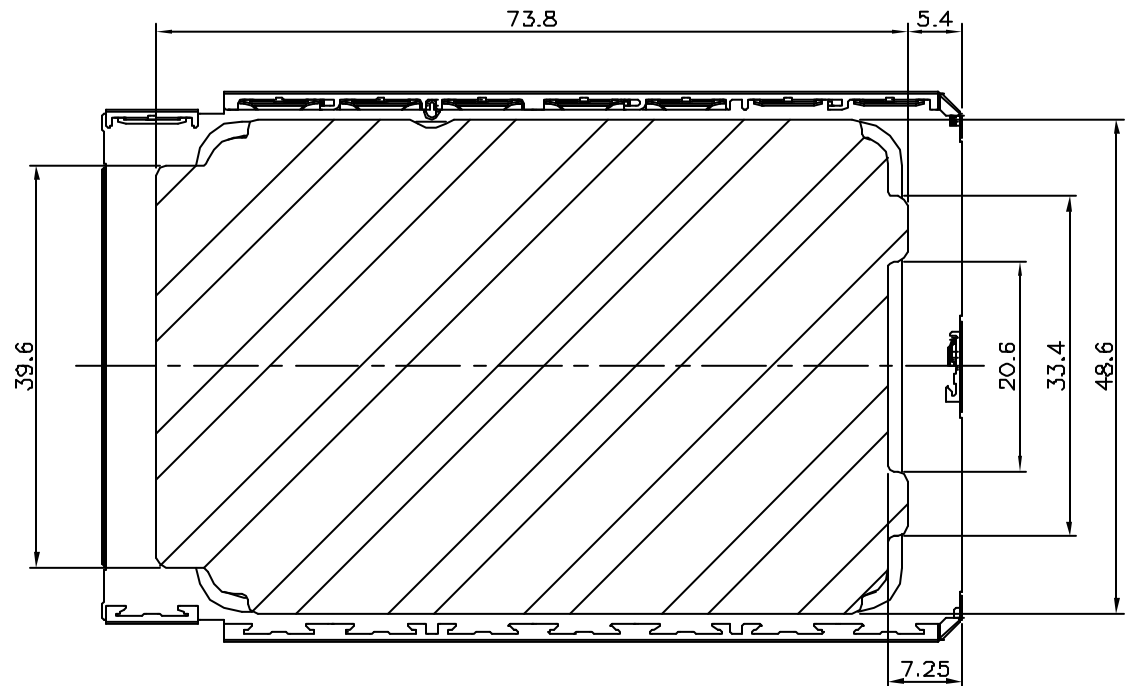
lfr	ecr	no	dr	date	surface	tolerance	projection	product family
A	H80049	GCA	98.02.12		ISO 1302	ISO 416 ISO 1101	mm	PCMCIA
B	F80195	GCA	98.04.08		tolerances unless otherwise specified			title
C	F90323	DLE	99.05.04		angles	linear	scale 2:1	ROCARD SHIELD TYPE II, 1x1/0
D	F10514	DLE	01.08.07	dr	H VEREUKEN	98.02.12		sheet 2 of -
E	F05-0254	DLE	05.09.26	enfr	F HAUTIER	99.05.04		83808
F	F08-0138	DLE	06.02.27	chr	D LEGRAND	99.05.04		Az
G	F06-0248	DLE	06.07.28	app	F HAUTIER	99.05.04		type
sheet	revision							CUSTOMER Drawing
index	sheet							

Product number	Insulator	Label recess
83808-22000LF	no	no
83808-22010LF	yes	no
83808-22100LF	no	yes
83808-22110LF	yes	yes

Product number	Packaging
83808-xxxxxLF	1000 Rocard Shield/Box
83808-xxxxxSLF	200 Rocard Shield/Box



Version: Label recess  
(maximum label thickness 0.07 mm)

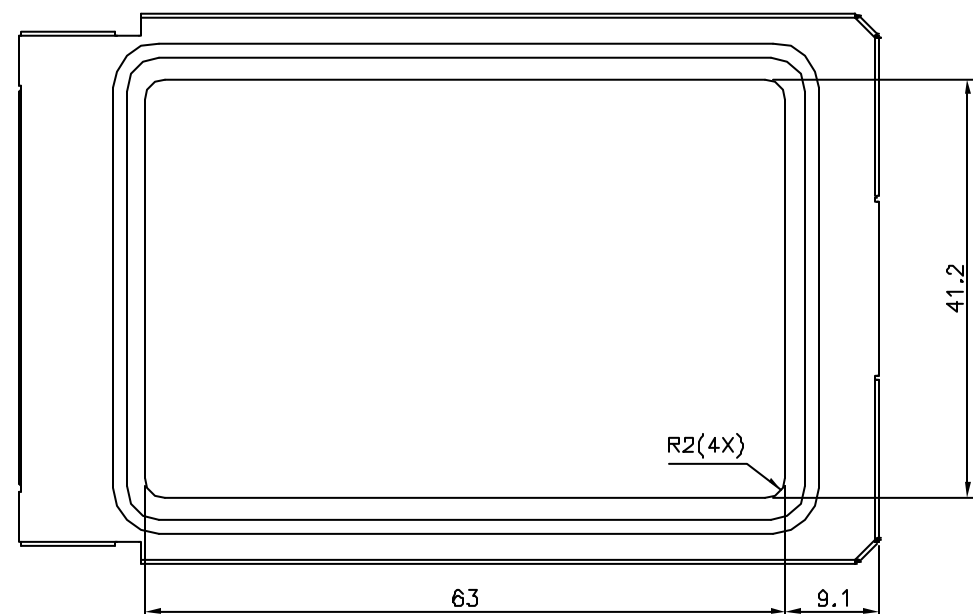
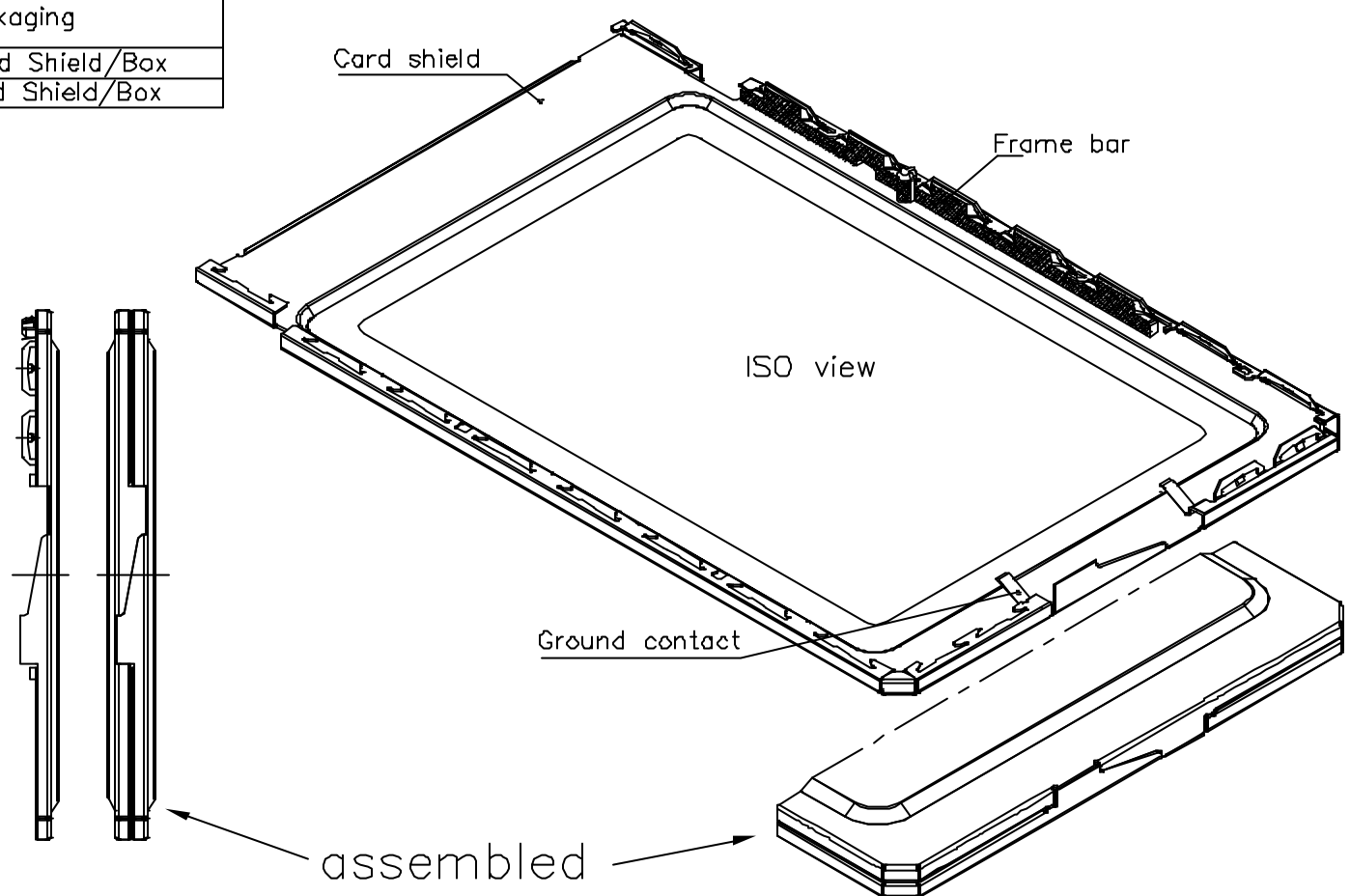
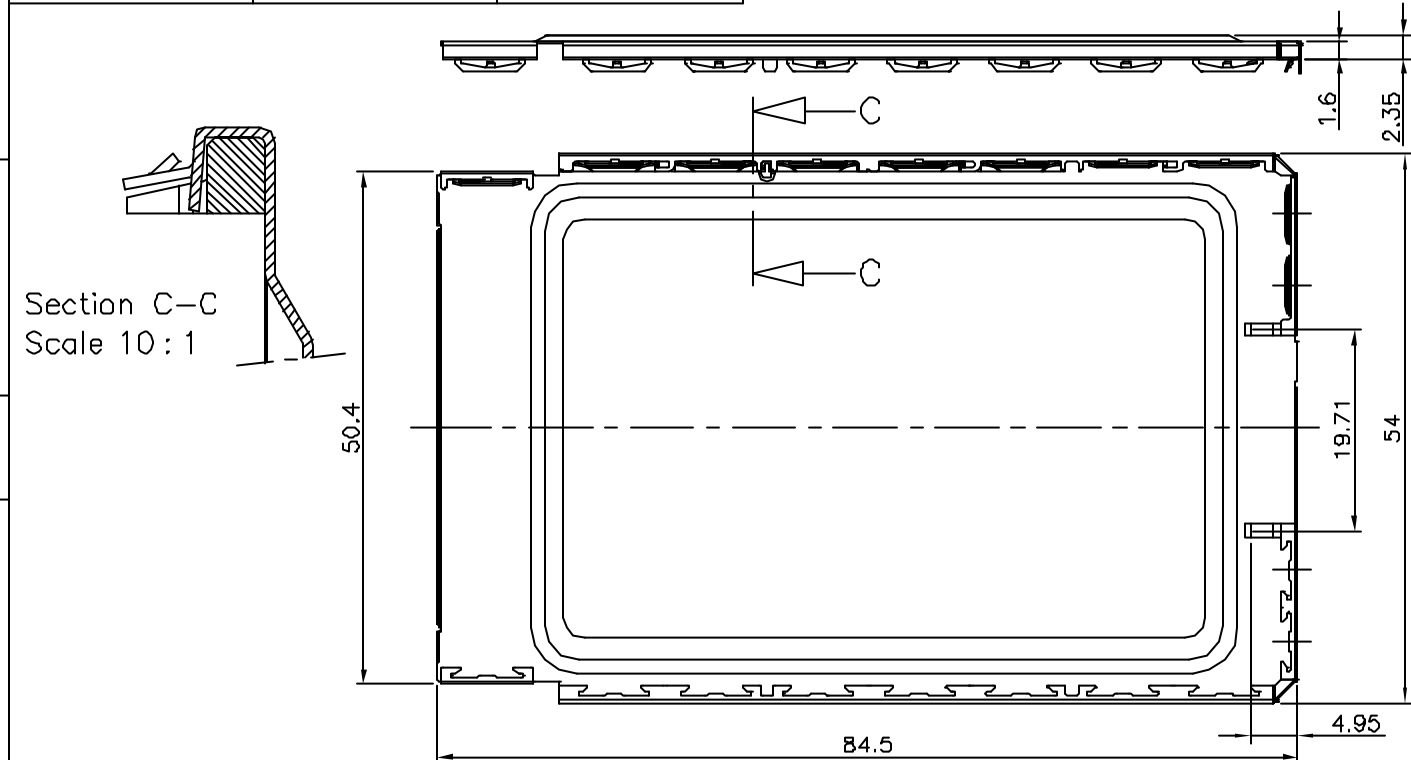


Version: Insulator  
(thickness 0.07 mm)

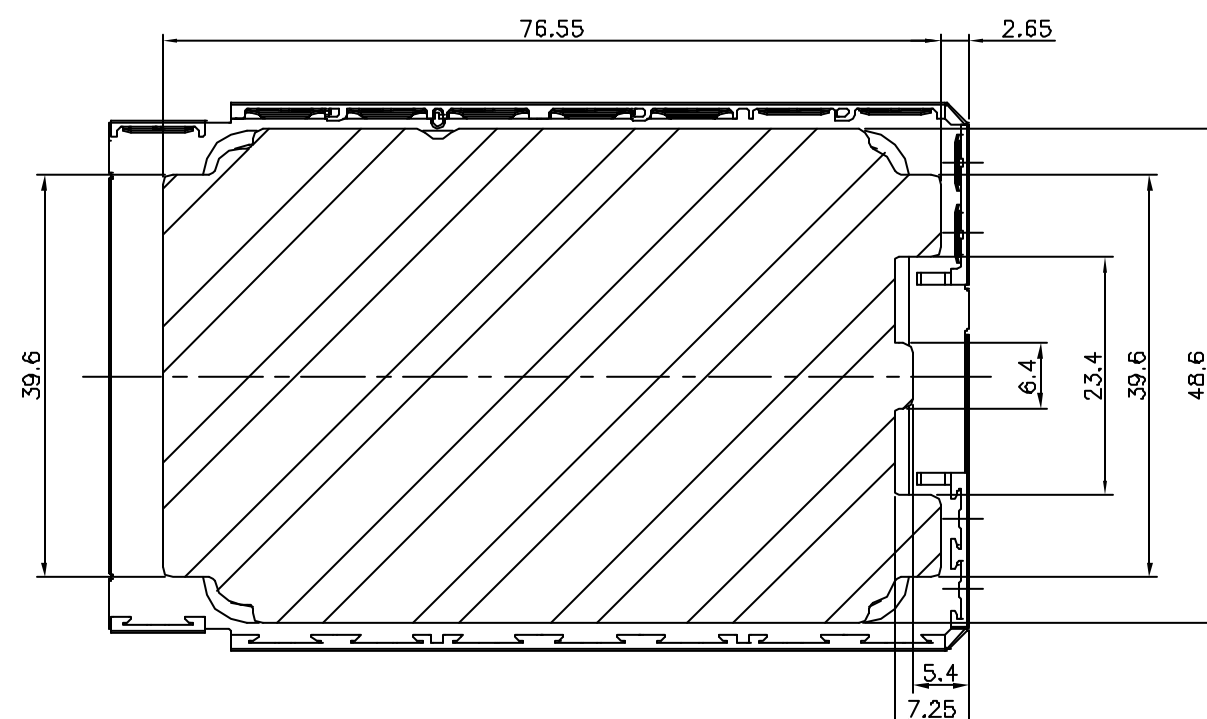
lfr	ecn	no	dr	date	surface	tolerance	projection	product family
A	H80049	GCA		98.02.12	ISO 1302	ISO 416 ISO 1101	mm	PCMCIA
B	F80195	GCA		98.04.08	tolerance unless otherwise specified		mm	title
C	F80323	DLE		99.05.04	angles	linear	scale 2:1	ROCARD SHIELD TYPE II, 2x1/0
D	F10514	DLE	01.08.07	dr	H VEREUKEN	98.02.12		sheet 3 of -
E	F05-0254	DLE	05.09.26	engr	F HAUTIER	99.05.04		83808
F	F08-0138	DLE	06.02.27	chr	D LEGRAND	99.05.04		Az
G	F06-0248	DLE	06.07.28	app	F HAUTIER	99.05.04		type
sheet	revision							CUSTOMER Drawing
index	sheet							

Product number	Insulator	Label recess
83808-2000OLF	no	no
83808-2001OLF	yes	no
83808-2010OLF	no	yes
83808-2011OLF	yes	yes

Product number	Packaging
83808-xxxxxLF	1000 Rocard Shield/Box
83808-xxxxxSLF	200 Rocard Shield/Box



Version: Label recess  
(maximum label thickness 0.07 mm)

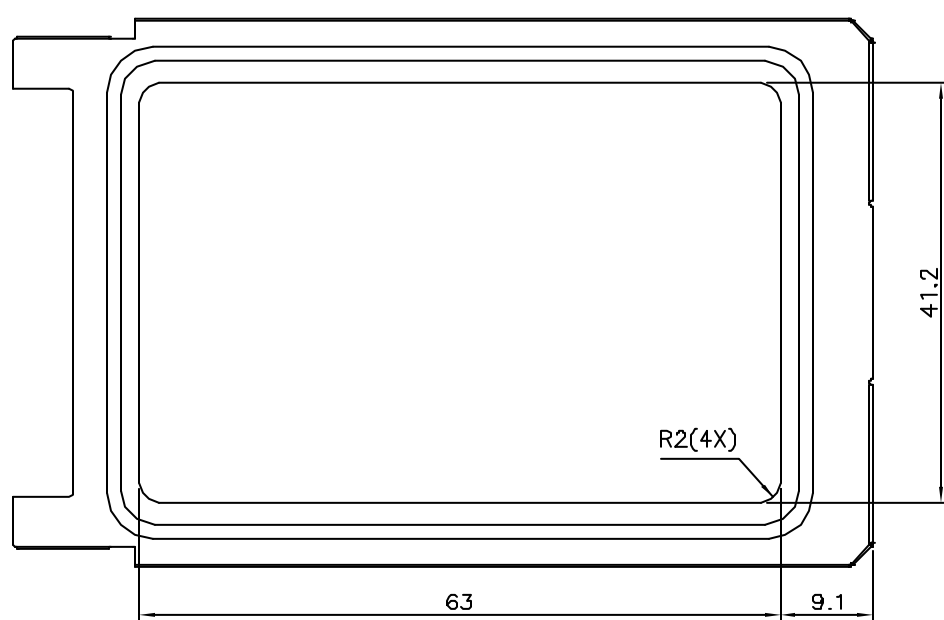
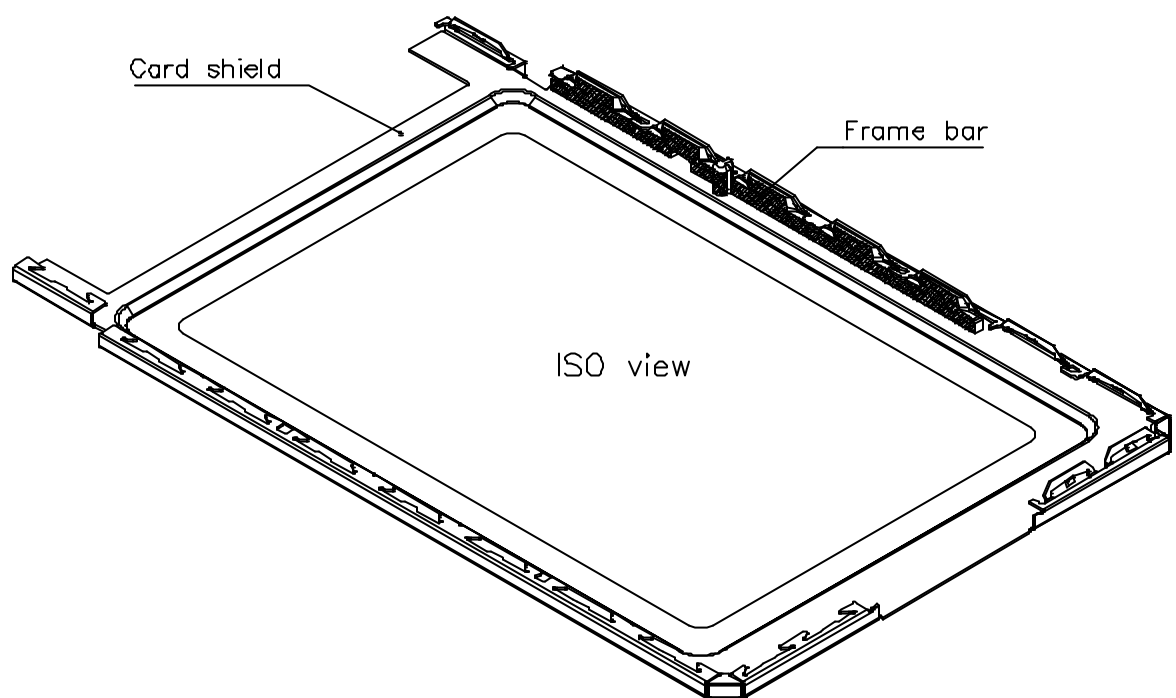
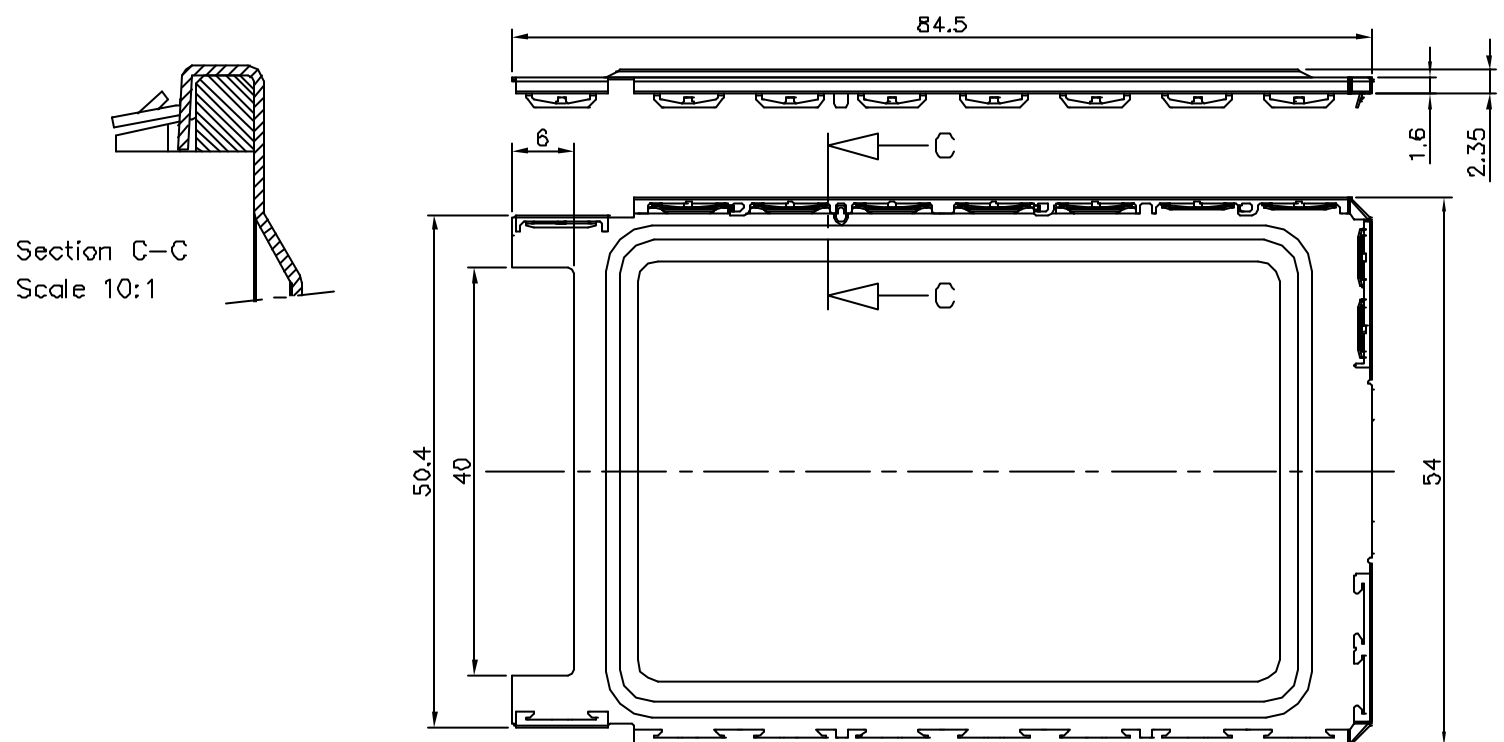


Version: Insulator  
(thickness 0.07 mm)

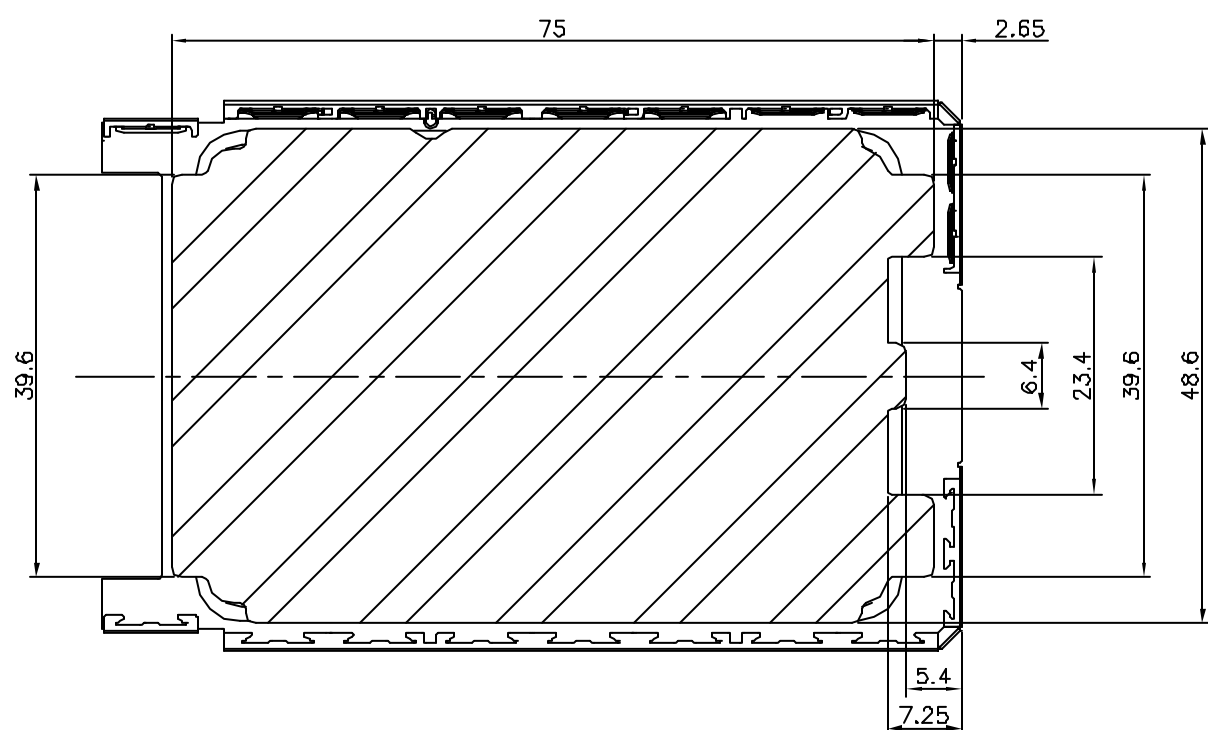
lfr	ecm	no	dr	date	surface	tolerance	projection	product family
A	H80049	GCA	98.02.12		ISO 1302	ISO 416 ISO 1101	mm	PCMCIA
B	F80195	GCA	98.04.08		tolerance unless otherwise specified			title
C	F80323	DLE	99.05.04		angles	linear	scale 2:1	ROCARD SHIELD TYPE II, CLOSED END
D	F10514	DLE	01.08.07	dr	H VEREUKEN	98.02.12		sheet 4 of -
E	F05-0254	DLE	05.09.26	engr	F HAUTIER	99.05.04		83808
F	F08-0138	DLE	06.02.27	chr	D LEGRAND	99.05.04		Az
G	F06-0248	DLE	06.07.28	appr	F HAUTIER	99.05.04		type
sheet	revision							CUSTOMER Drawing
index	sheet							

Product number	Insulator	Label recess
83808-21001LF	no	no
83808-21011LF	yes	no
83808-21101LF	no	yes
83808-21111LF	yes	yes

Product number	Packaging
83808-xxxxxLF	1000 Rocard Shield/Box
83808-xxxxxSLF	200 Rocard Shield/Box



Version: Label recess  
(maximum label thickness 0.07 mm)

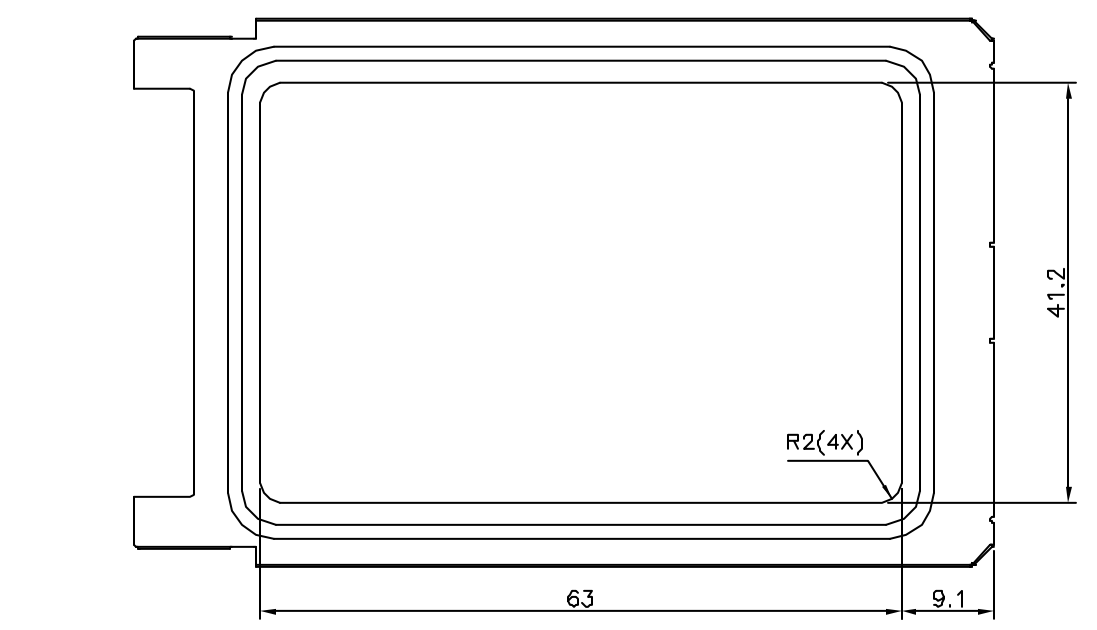
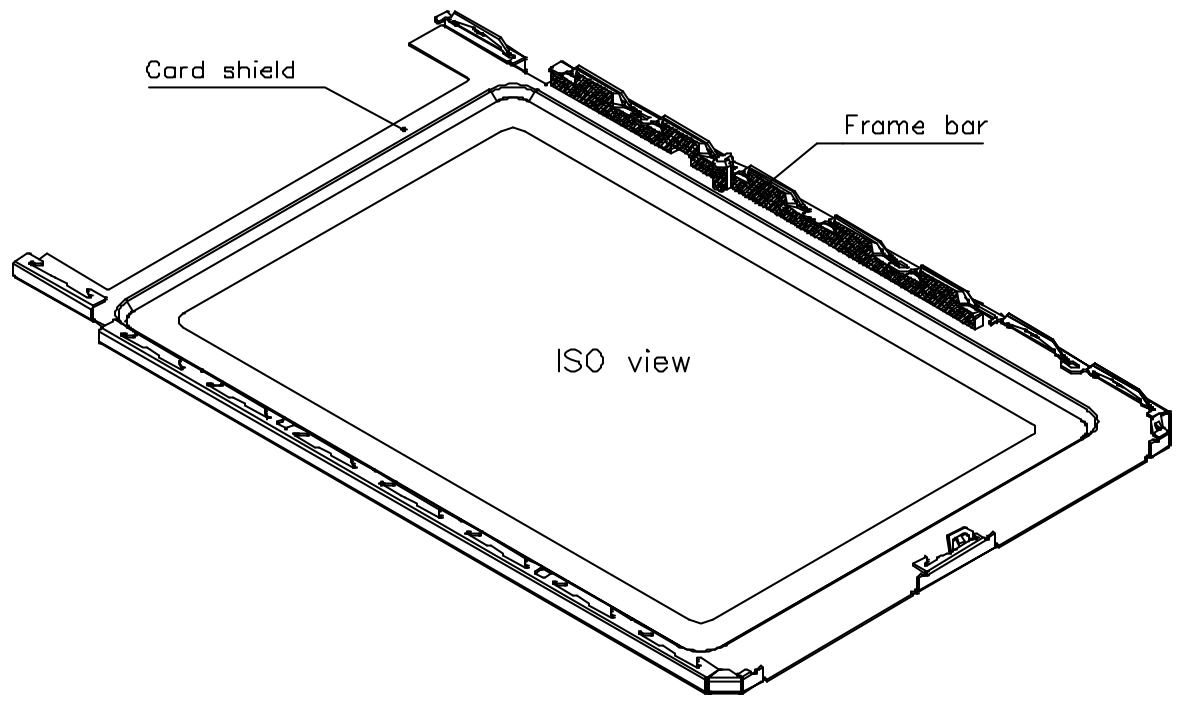
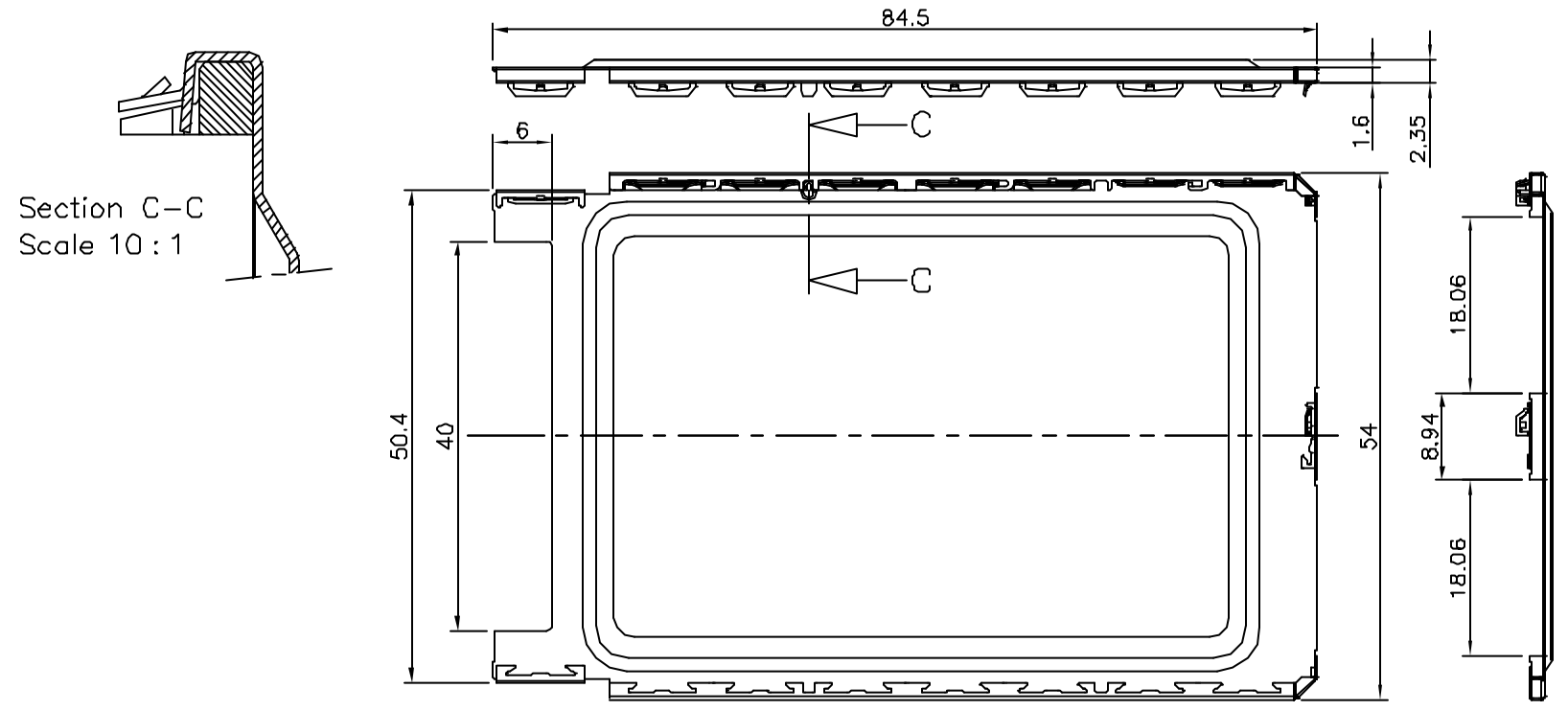


Version: Insulator  
(thickness 0.07 mm)

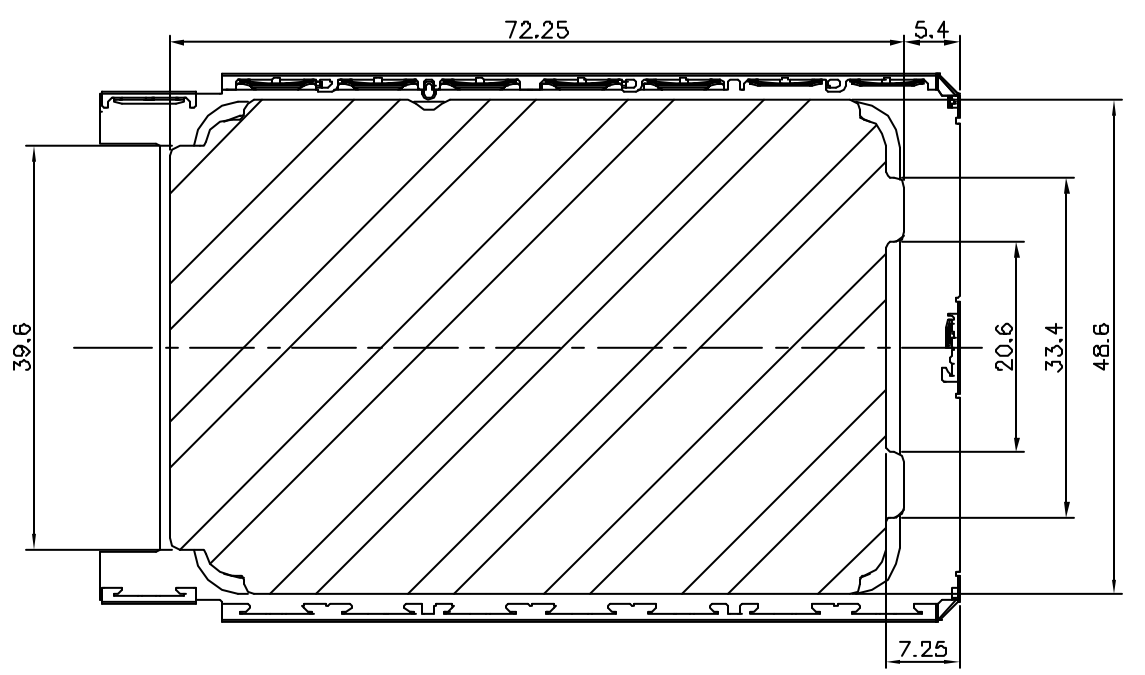
lfr	ecr	no	dr	date	surface	tolerance	projection	product family
A	H80048	GCA	98.02.12		ISO 1302	ISO 416 ISO 1101	mm	PCMCIA
B	F80195	GCA	98.04.08		tolerance unless otherwise specified		mm	title
C	F90323	DLE	99.05.04		angles	linear	scale 2:1	ROCARD SHIELD
D	F10514	DLE	01.08.07	dr	H VEREUKEN	98.02.12		TYPEII, 1x1/0, CARDBUS
E	F05-0254	DLE	05.09.26	enfr	F HAUTIER	99.05.04		sheet 5 of -
F	F08-0138	DLE	06.02.27	chr	D LEGRAND	99.05.04		83808
G	F06-0248	DLE	06.07.28	app	F HAUTIER	99.05.04		Az
sheet	revision							type
index	sheet							CUSTOMER Drawing

Product number	Insulator	Label recess
83808-22001LF	no	no
83808-22011LF	yes	no
83808-22101LF	no	yes
83808-22111LF	yes	yes

Product number	Packaging
83808-xxxxxLF	1000 Rocard Shield/Box
83808-xxxxxSLF	200 Rocard Shield/Box



Version: Label recess  
(maximum label thickness 0.07 mm)

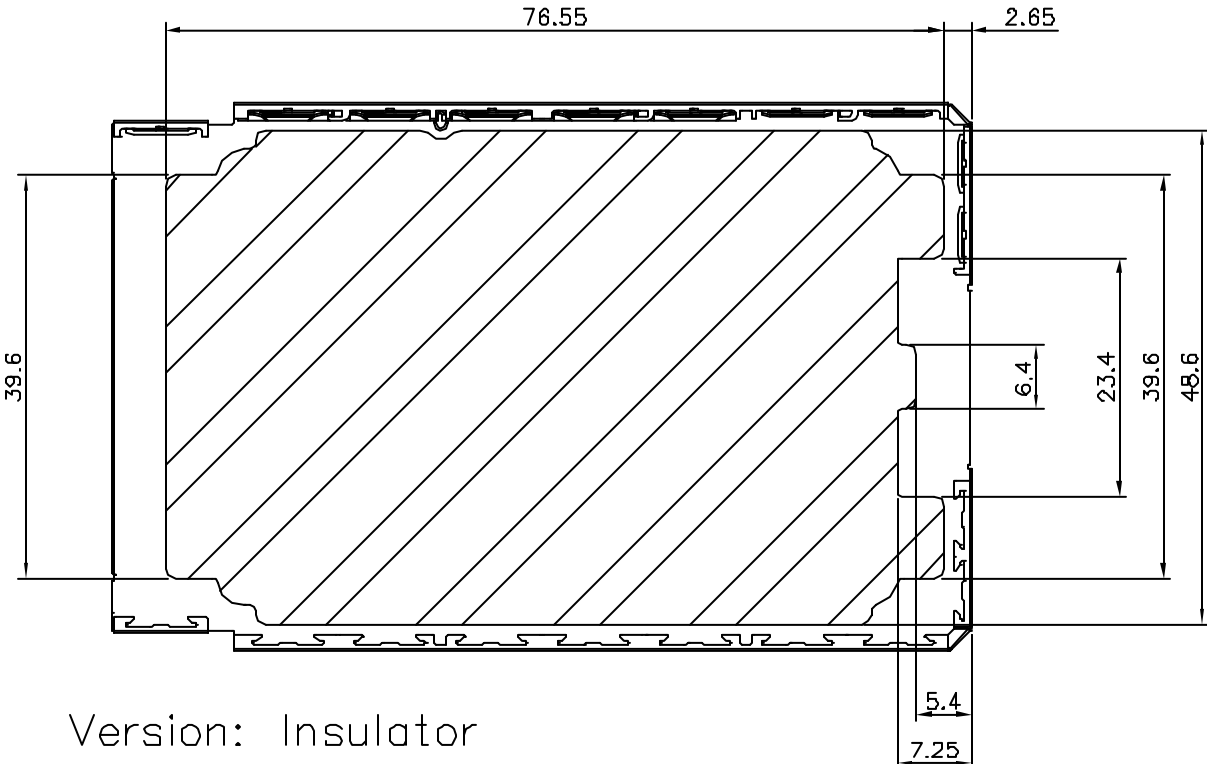
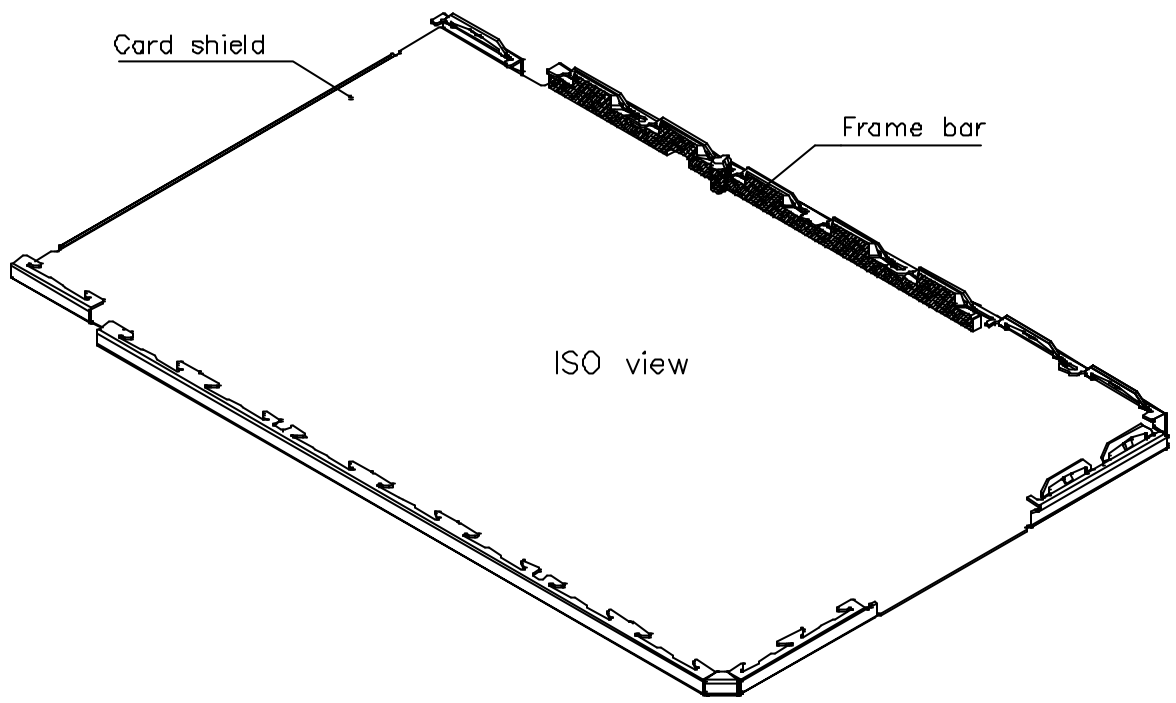
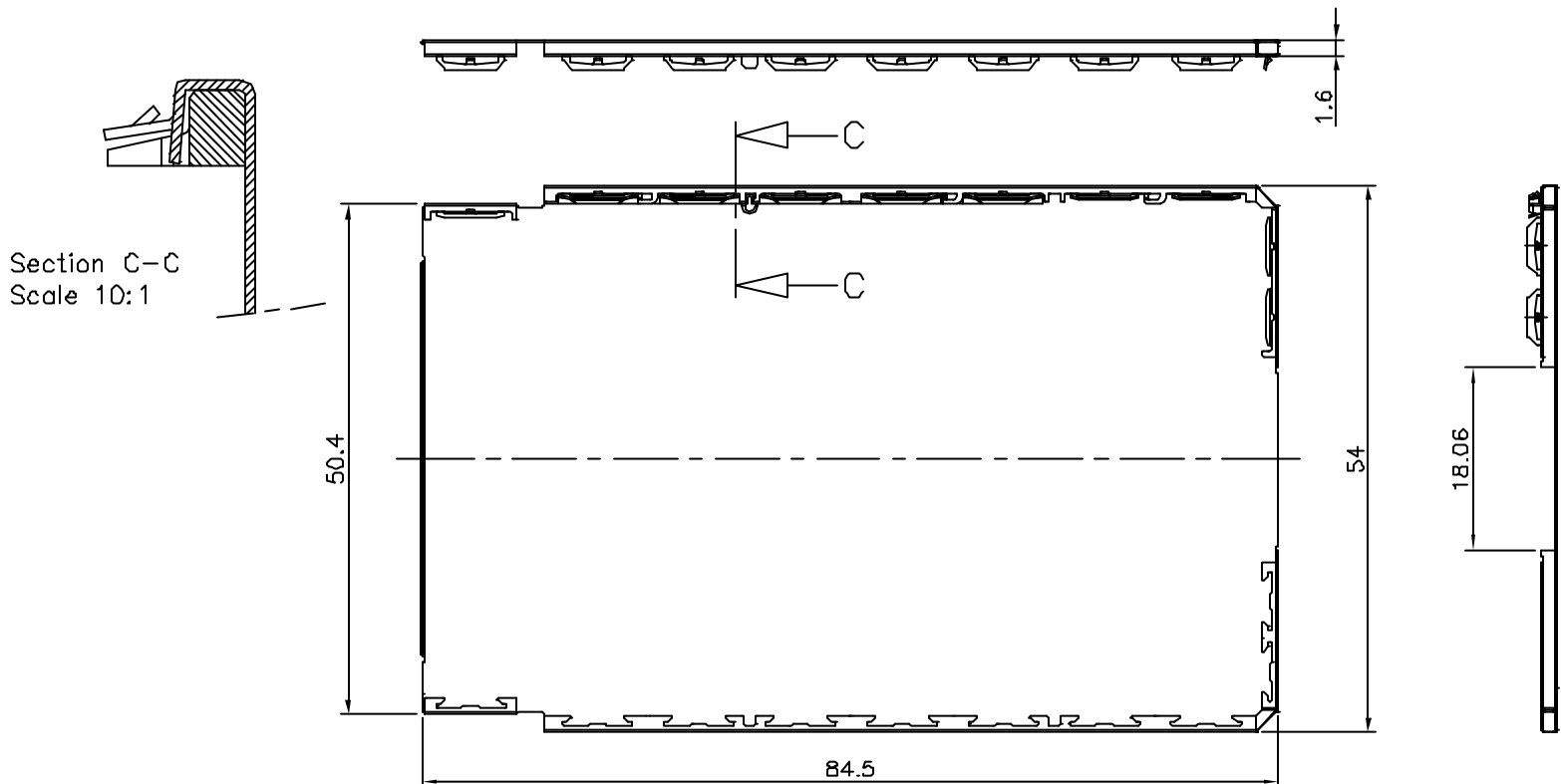


Version: Insulator  
(thickness 0.07 mm)

lfr	ecr	no	dr	date	surface	tolerance	projection	product family
A	H80049	GCA		98.02.12	ISO 1302	ISO 416 ISO 1101	mm	PCMCIA
B	F80195	GCA		98.04.08	tolerance unless otherwise specified		mm	title
C	F80323	DLE		99.05.04	angles	linear	scale 2:1	ROCARD SHIELD
D	F10514	DLE	01.08.07	dr	H VEREUKEN	98.02.12		TYPE II,2xI/O,CARBUS
E	F05-0254	DLE	05.09.26	enfr	F HAUTIER	99.05.04		sheet 6 of 6
F	F08-0138	DLE	06.02.27	chr	D LEGRAND	99.05.04		83808
G	F06-0248	DLE	06.07.28	app	F HAUTIER	99.05.04		Az
sheet	revision							type
index	sheet							CUSTOMER Drawing

Product number	Insulator
83808-11000LF	no
83808-11010LF	yes

Product number	Packaging
83808-xxxxxLF	1000 Rocard Shield/Box
83808-xxxxxSLF	200 Rocard Shield/Box

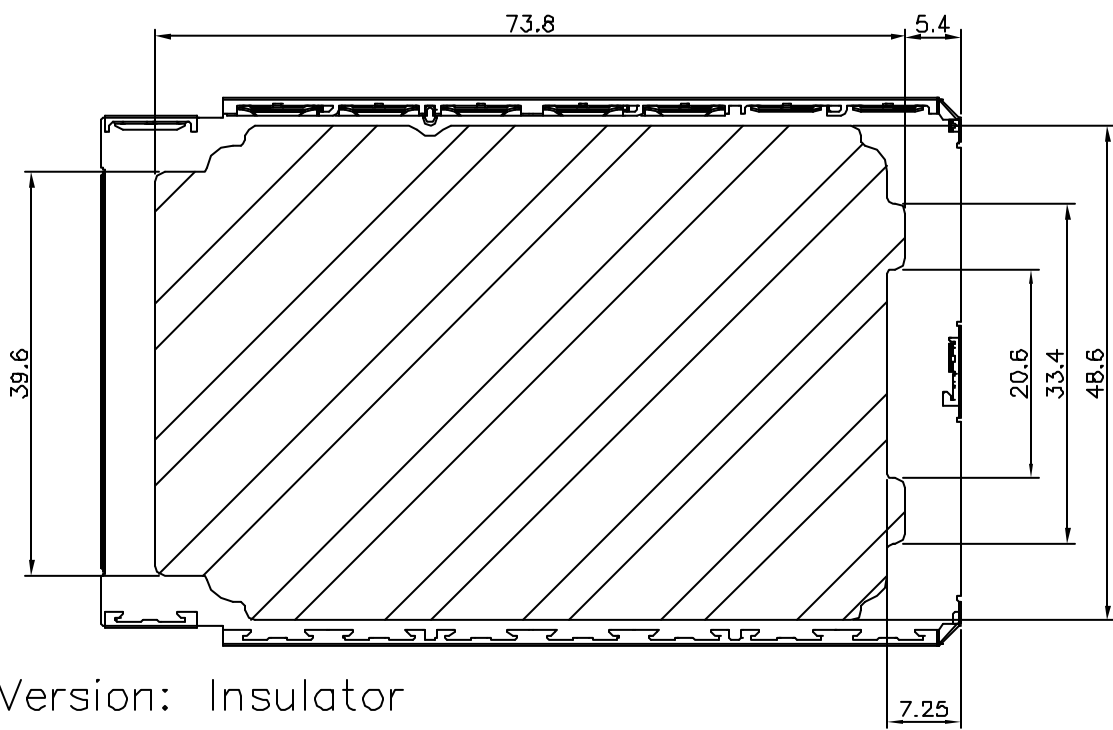
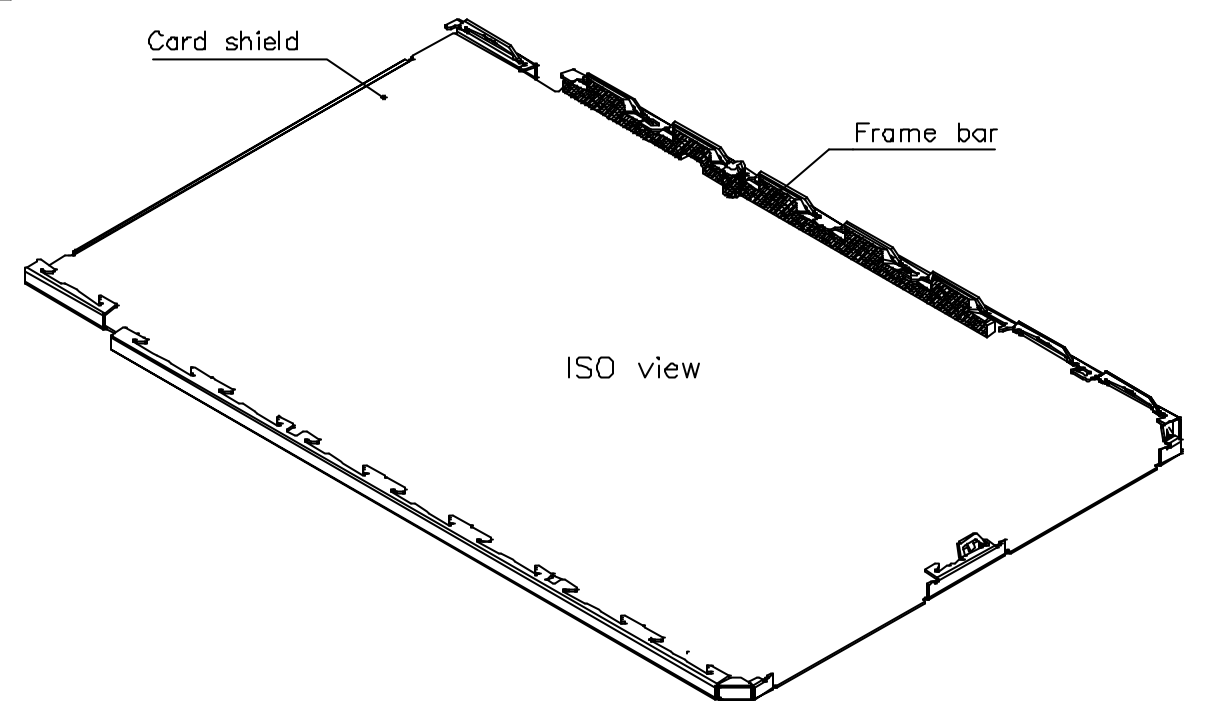
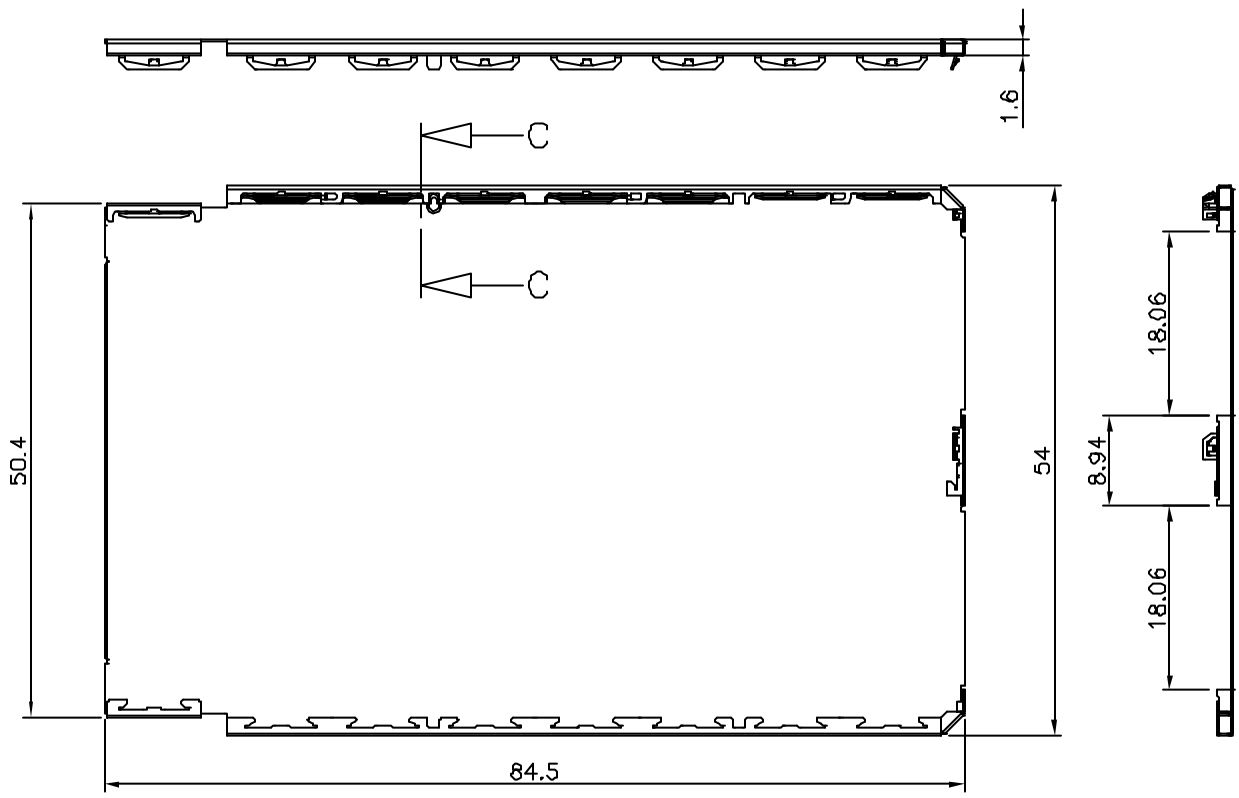
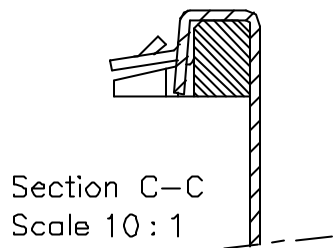


Version: Insulator  
(thickness 0.07 mm)

mat'l. code		surface		tolerance		projection		product family	
		ISO 1302		ISO 416 ISO 1101		ISO 101		PCMCIA	
lfr	ecrn no	dr	date	tolerance unless otherwise specified		mm		title	
A	F80195	GCA	98.04.08	angles		linear		ROCARD SHIELD	
B	F90323	DLE	99.05.04			scale 2:1		TYPE I, 1x1/0	
C	F10514	DLE	01.09.07			FCJ		sheet 7 of -	
D	F05-0254	DLE	05.08.28	dr	H VEREUKEN	98.02.12	dwg no		size
E	F08-0138	DLE	06.02.27	enfr	F HAUTIER	99.05.04	83808		A2
F	F08-0248	DLE	06.07.28	chr	D LEGRAND	99.05.04	type		CUSTOMER Drawing
sheet index		revision sheet							

Product number	Insulator
83808-12000LF	no
83808-12010LF	yes

Product number	Packaging
83808-xxxxxLF	1000 Rocard Shield/Box
83808-xxxxxLFS	200 Rocard Shield/Box



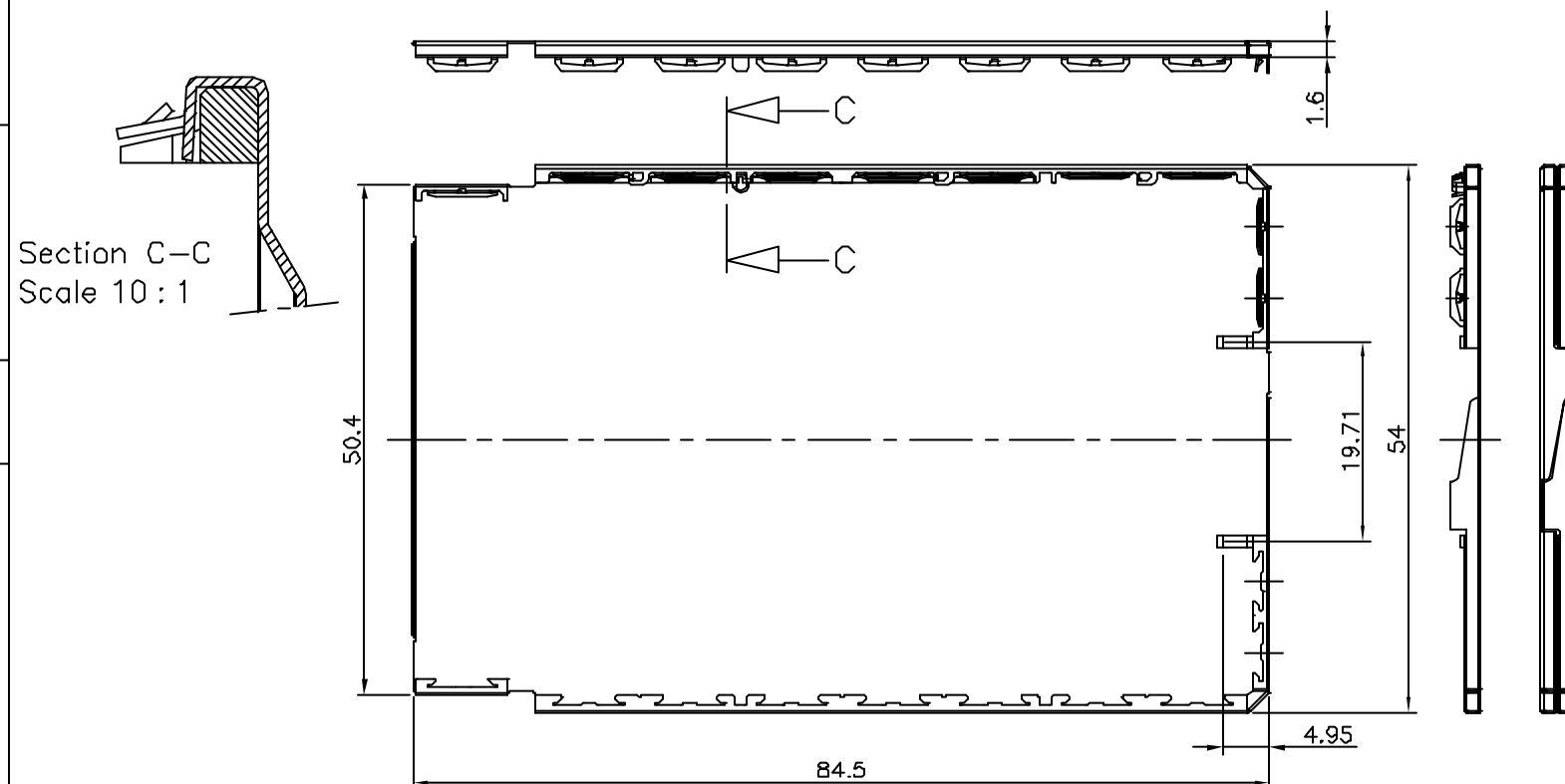
Version: Insulator  
(thickness 0.07 mm)

mat'l code	surface	tolerance	projection	product family
	ISO 1302	ISO 416 ISO 1101		PCMCIA
lfr ecn no dr date	tolerance unless otherwise specified		mm	title
A F80195 GCA 98.04.08	angles	linear	scale 2:1	ROCARD SHIELD TYPE 1, 2x1/0
B F90323 DLE 99.05.04				dwg no 83808 sheet 8 of - size A2
C F10514 DLE 01.09.07				type CUSTOMER Drawing
D F05-0254 DLE 05.08.28 dr H VEREUKEN 98.02.12				
E F08-0138 DLE 06.02.27 engr F HAUTIER 99.05.04				
F F08-0248 DLE 06.07.28 chr D LEGRAND 99.05.04				
sheet index	revision sheet			

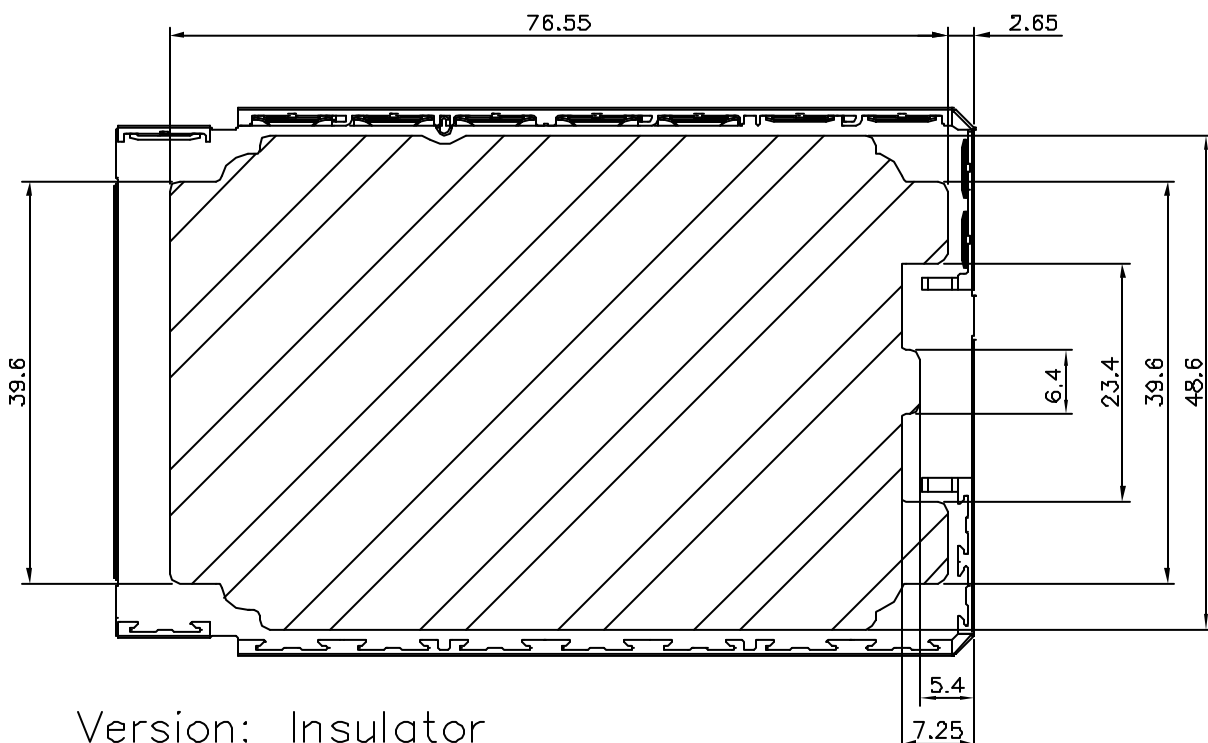
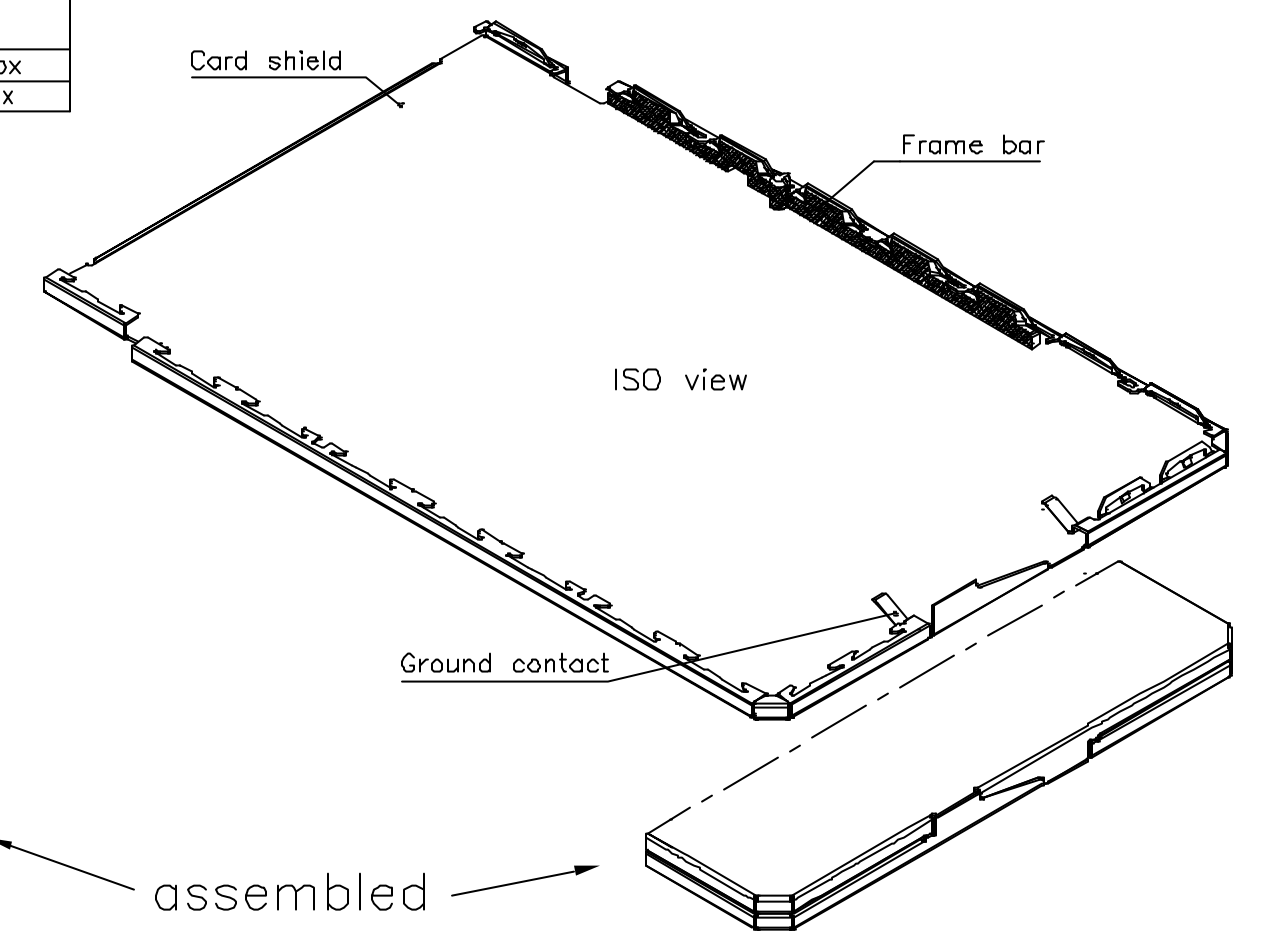


Product number	Insulator
83808-10000LF	no
83808-10010LF	yes

Product number	Packaging
83808-xxxxxLF	1000 Rocard Shield/Box
83808-xxxxxSLF	200 Rocard Shield/Box



Section C-C  
Scale 10:1

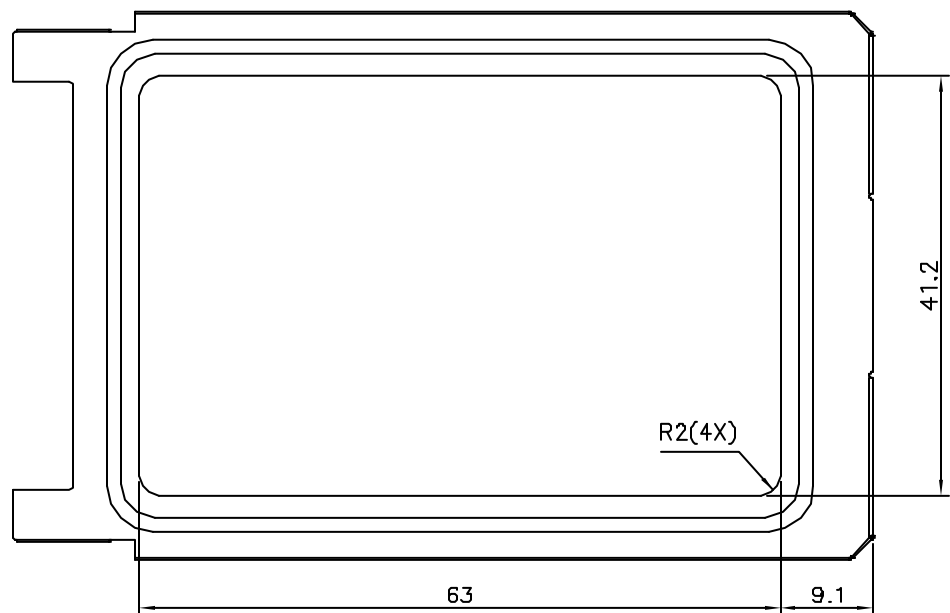
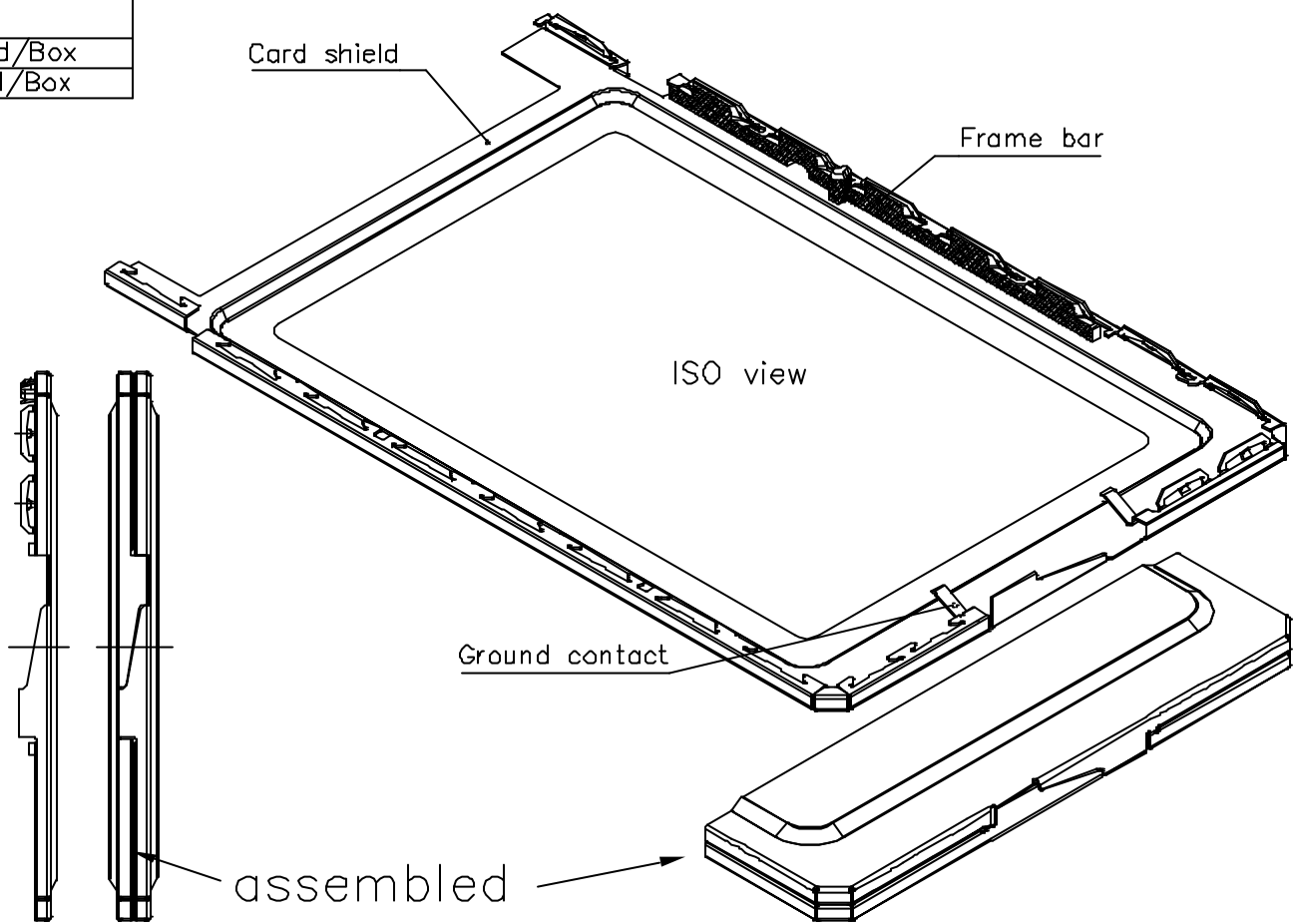
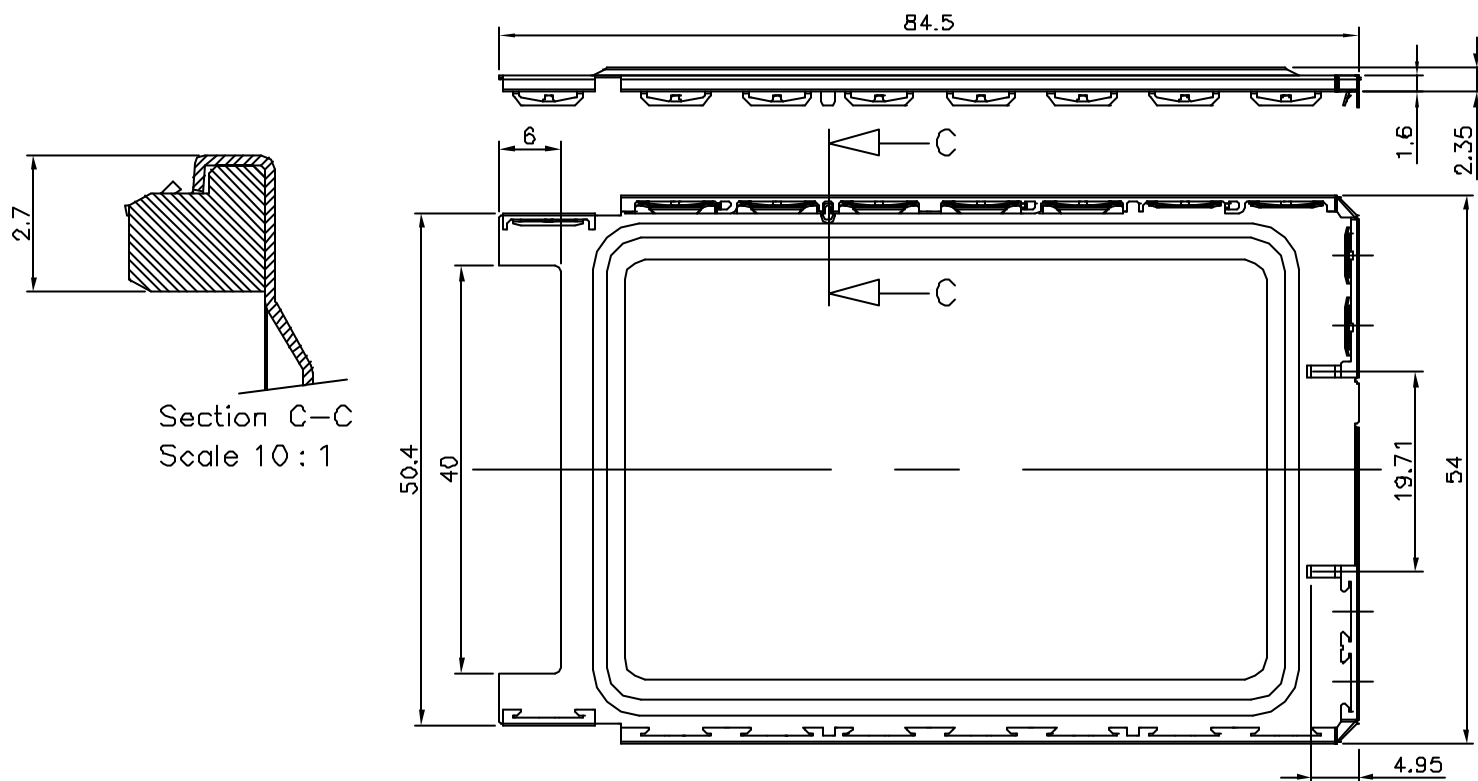


Version: Insulator  
(thickness 0.07 mm)

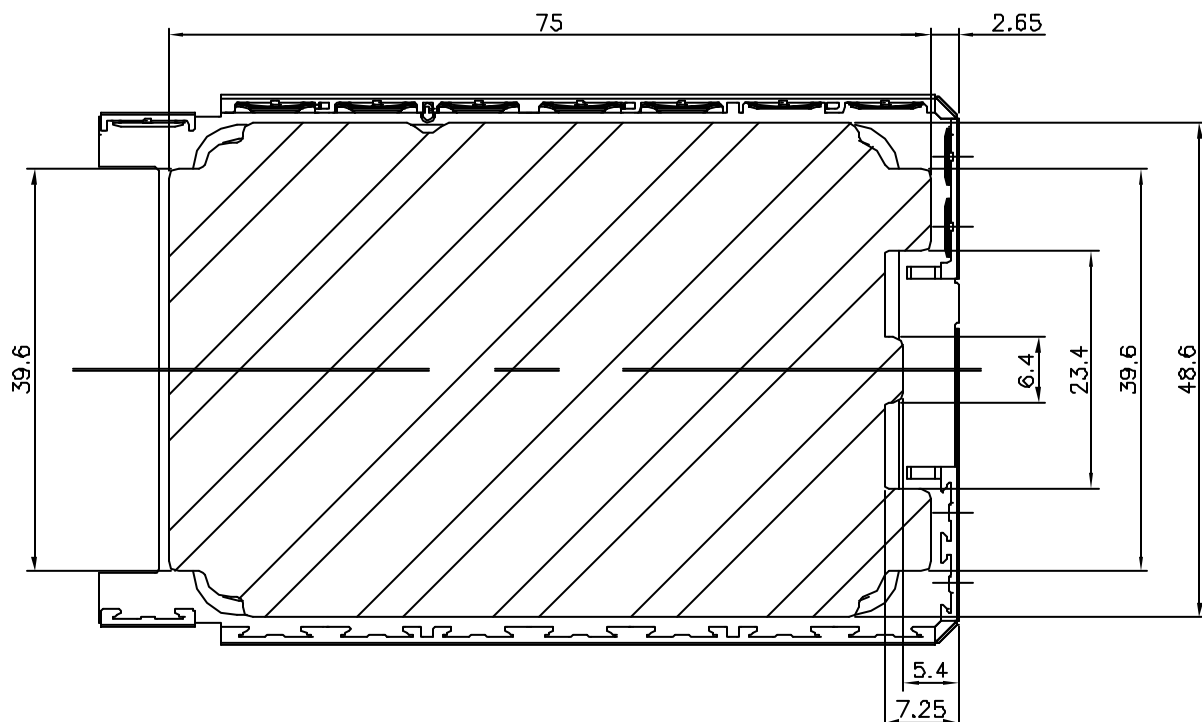
lfr	ecr	no	dr	date	tolerance	ISO 1302	ISO 416	ISO 1101	projection	product family
A	F80195	GCA	98.04.08		tolerance unless otherwise specified				mm	PCMCIA
B	F90323	DLE	99.05.04		angles	linear			scale 2:1	title
C	F10514	DLE	01.09.07							ROCARD SHIELD
D	F05-0254	DLE	05.08.28	dr	H VEREUKEN	98.02.12				TYPE I, CLOSED END
E	F08-0138	DLE	06.02.27	enfr	F HAUTIER	99.05.04				dwg no
F	F08-0248	DLE	06.07.28	chr	D LEGRAND	99.05.04				83808
				app	F HAUTIER	99.05.04				sheet 9 of -
										size
										A2
sheet index	revision sheet									type
										CUSTOMER Drawing

Product number	Insulator	Label recess
83808-20001LF	no	no
83808-20011LF	yes	no
83808-20101LF	no	yes
83808-20111LF	yes	yes

Product number	Packaging
83808-xxxxxLF	1000 Rocard Shield/Box
83808-xxxxxSLF	200 Rocard Shield/Box



Version: Label recess  
(maximum label thickness 0.07 mm)



Version: Insulator  
(thickness 0.07 mm)

mat'l. code	surface	tolerance	projection	product family
lfr ecn no dr date	ISO 1302	ISO 416 ISO 1101	mm	PCMCIA
A F90655 DLE 99.10.25	tolerance unless otherwise specified		scale 2:1	title
B F00106 LMU 00.01.19	angles	linear		ROCARD SHIELD
C F10514 DLE 01.09.07				TYPE II, CLOSED, CARDBUS
D F05-0254 DLE 05.08.28	dr	D LEGRAND 99.10.25		dwg no
E F08-0138 DLE 06.02.27	enfr	F HAUTIER 99.10.25		83808
F F08-0248 DLE 06.07.28	chr	AESCHBACHER 99.10.25		sheet 10 of - size
	app	F HAUTIER 99.10.25		A2
sheet index	revision sheet			type
				CUSTOMER Drawing