

© 2016 AFci
 Amphenol FCI

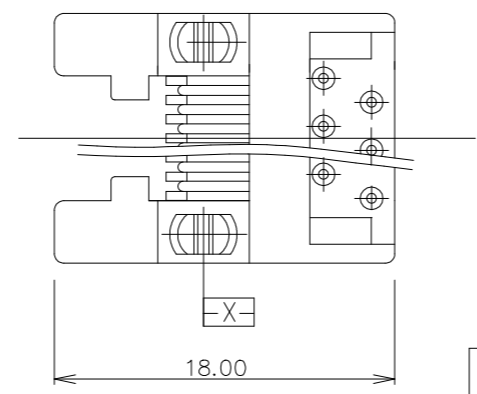
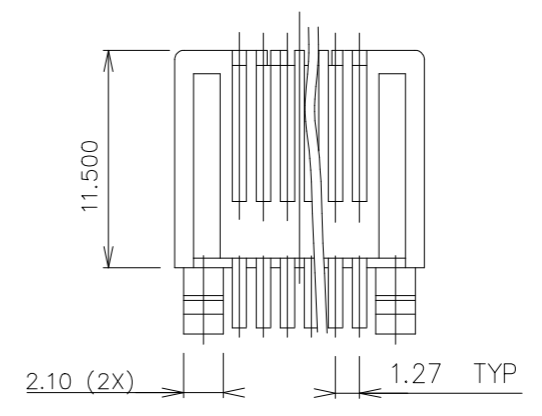
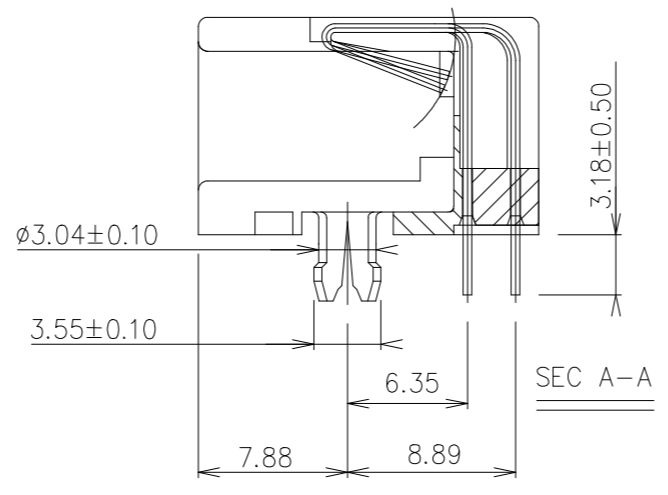
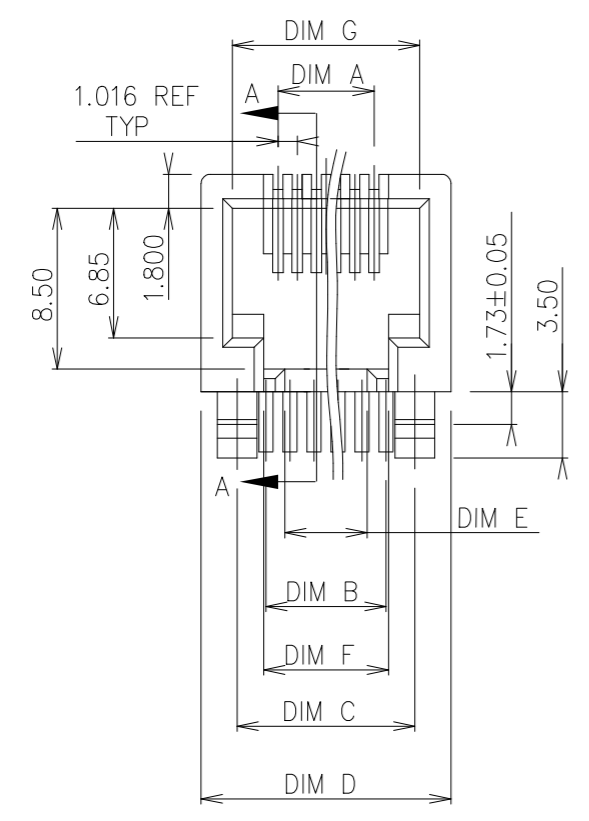
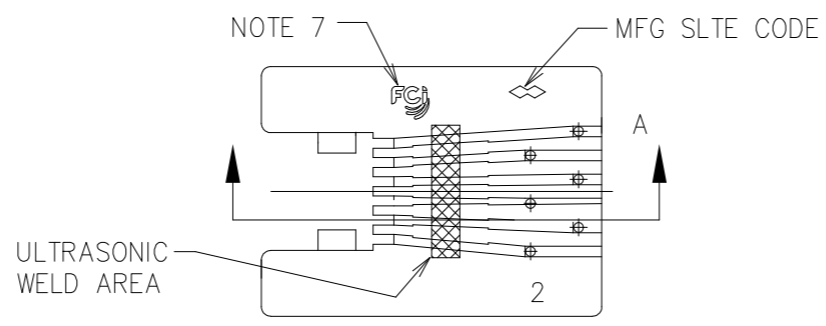


FIGURE 4- 6 POS TYPE.

mat'l. code		surface		tolerance		projection		product family	
		ISO 1302 ✓		ISO 406 ISO 1101		mm		HPL 580	
ltr		ecn no		dr		date		title	
AA	N06-0043	DT	02/20/06					MOD JACK, FOR 1.6MM P.C.B.	
AB	N08-0097	SH	08/13/08	angles	linear				
AC	N08-0170	SH	09/25/08	0°±2'		0.000±0.05		scale 1:1	
AD	ELX-N-01067	SH	3/14/12	dr	Laurence.Zang	12/22/17		dwg no	
AE	ELX-N-31069	LZ	12/22/17	eng	Laurence.Zang	12/22/17		sheet 1 of 3	
AF	ELX-N-52771	YS	6/20/24	chr	Tim.Yao	12/22/17		size	
				appd	Tim.Yao	12/22/17		A3	
sheet index		revision sheet						type Product Customer Drawing	

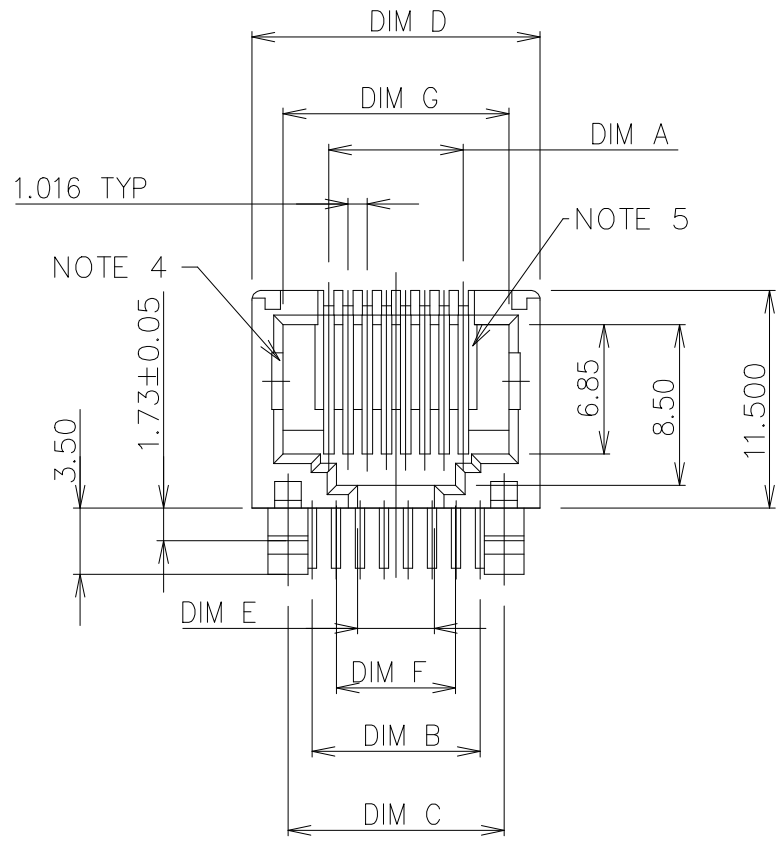
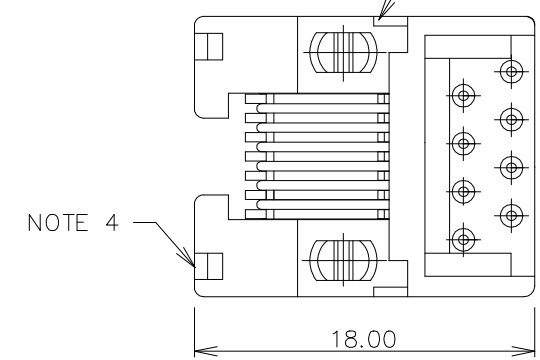
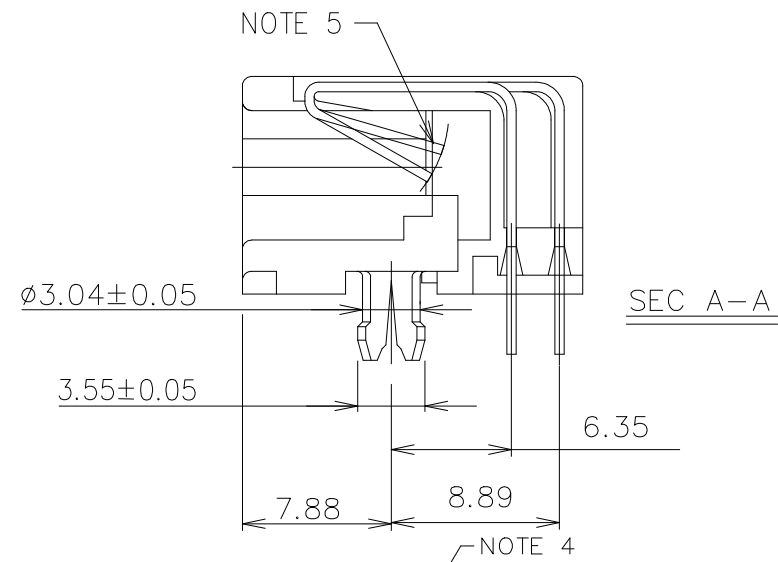
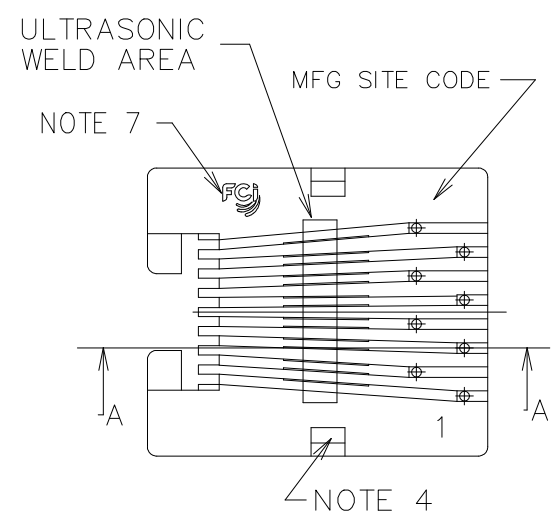
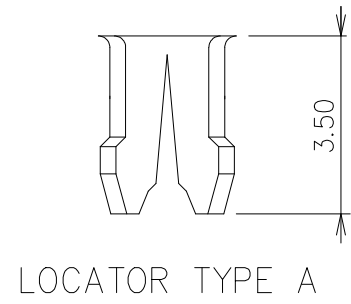


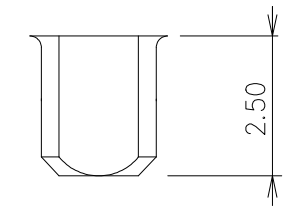
FIGURE 2- 8 POS TYPE.



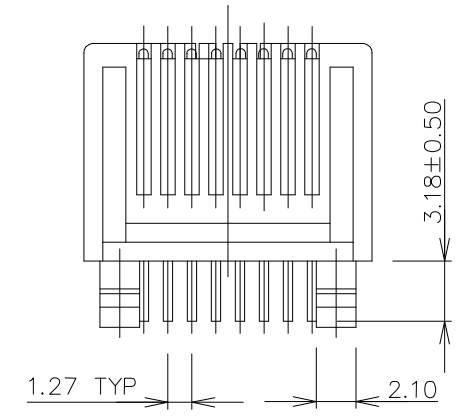
LOCATOR TYPE & DESCRIPTION
APPLY TO 4 & 6 & 8 POS



LOCATOR TYPE A



LOCATOR TYPE B
ONLY APPLY TO 87180-X6XHTRLF

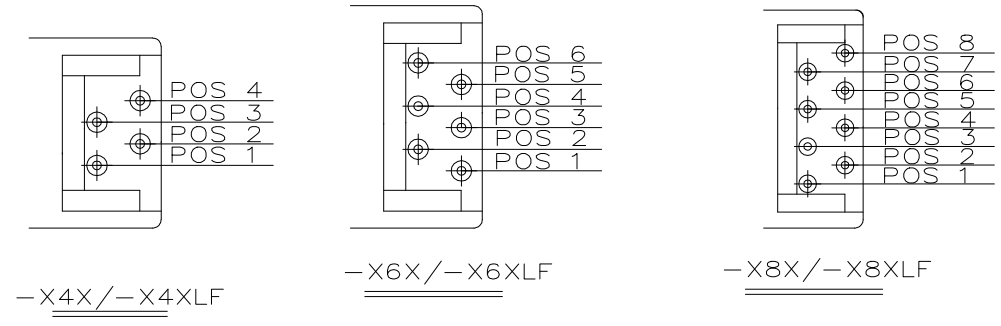


mat'l. code		surface		tolerance		projection		product family		
		ISO 1302 ✓		ISO 406 ISO		1101		HPL 580		
ltr	ecn no	dr	date	tolerances unless otherwise specified		mm		title		
AF				angles linear		0.0±0.30		MOD JACK, FOR 1.6MM P.C.B.		
				0°±2'		0.00±0.15				
						0.000±0.05		scale 1:1		
		dr	Laurence.Zang	12/22/17			dwg no		sheet 2 of 3	size
		eng	Laurence.Zang	12/22/17			87180		A3	
		chr	Tim.Yao	12/22/17			type		Product Customer Drawing	
		appd	Tim.Yao	12/22/17						
sheet index	revision sheet									

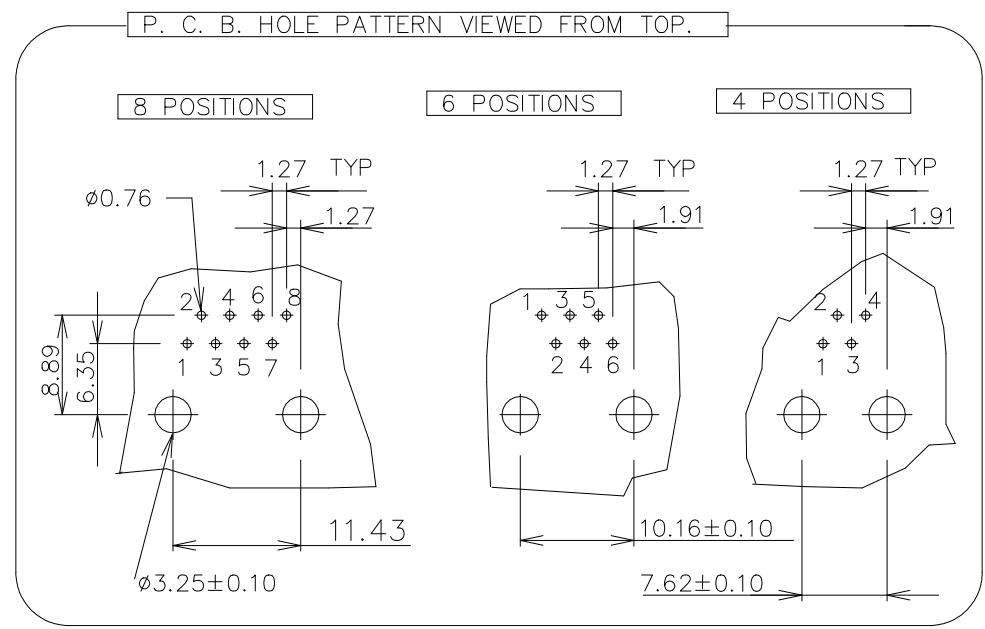
PRODUCT NUMBER	NUMBER OF POS.	DIM A	DIM B	DIM C	DIM D	DIM E	DIM F	DIM G	LOADED POSITION	TAIL LENGTH	HOUSING COLOR	PRODUCT FIGURE	LOCATOR TYPE
87180-X44/-X44LF/-X44HLF	4	3.05	3.81	7.62	11.20	3.05	5.50	7.87	ALL POS.	3.18MM	BLACK	FIGURE 1	TYPE A
2,3													
ALL POS.													
87180-X66/-X66LF/-X66HLF	6	5.08	6.35	10.16	13.20	4.06	6.60	9.90	ALL POS.	1.90MM	BLACK	FIGURE 1	TYPE B
2,3,4,5													
1,2,5,6													
3,4													
87180-X88/-X88LF/-X88HLF	8	7.11	8.89	11.43	15.24	4.06	6.30	11.94	ALL POS.	3.18MM	BLACK	FIGURE 2	TYPE A
ALL POS.													
2,3,4,5,6,7													
3,4,5,6													
1,4,5,8													
1,2,3,6													
87180-X62/-X62LF/-X62HLF	8	7.11	8.89	11.43	15.24	4.06	6.30	11.94	ALL POS.	3.18MM	BLACK	FIGURE 2	TYPE A
ALL POS.													
87180-X84/-X84LF/-X84HLF	8	7.11	8.89	11.43	15.24	4.06	6.30	11.94	3,4,5,6	3.18MM	BLACK	FIGURE 2	TYPE A
1,4,5,8													
1,2,3,6													
1,2,7,8													
ALL POS.													
87180-X84A/-X84ALF/-X84AHLF	8	7.11	8.89	11.43	15.24	4.06	6.30	11.94	3,4,5,6	3.18MM	BLACK	FIGURE 2	TYPE A
1,4,5,8													
1,2,3,6													
1,2,7,8													
ALL POS.													
87180-X84B/-X84BLF/-X84BHLF	8	7.11	8.89	11.43	15.24	4.06	6.30	11.94	3,4,5,6	3.18MM	BLACK	FIGURE 2	TYPE A
1,4,5,8													
1,2,3,6													
1,2,7,8													
ALL POS.													
87180-X84C/-X84CLF/-X84CHLF	8	7.11	8.89	11.43	15.24	4.06	6.30	11.94	3,4,5,6	3.18MM	BLACK	FIGURE 2	TYPE A
1,4,5,8													
1,2,3,6													
1,2,7,8													
ALL POS.													
87180-X88G/-X88GLF	8	7.11	8.89	11.43	15.24	4.06	6.30	11.94	ALL POS.	3.18MM	BLACK	FIGURE 2	TYPE A
ALL POS.													
87180-X84GSLF/-X841GSHXXLF	8	7.11	8.89	11.43	15.24	4.06	6.30	11.94	3,4,5,6	3.18MM	GREY	FIGURE 2	TYPE A
3,4,5,6													

PLATING CODE X	PLATING
0	5u" Au + high performance lubricant
1	15 u" G.X.T.
2	20 u" GFPD
3	5u" Au + high performance lubricant
4	15 u" G.X.T.
5	50 u" G.X.T.
6	6 u" G.X.T.
7	2 u" G.X.T.
A	30u" GXT
B	30u" Au

LEAD FREE PRODUCT NO.
 BLANK: STANDARD TUBE PACKAGE
 TR: TAPE & REEL APPLY ONLY 87180-X6XHTRLF
 MEETS PIP PROCESS PRODUCT NO.



WIRE POSITION No



NOTES:

- RECOMMENDED P.C.B THICKNESS 1.60 MM
- HOUSING MAT'L: HIGH TEMP TERMAL PLASTIC UL94-V0, COLOR : SEE TABLE.
- CONTACTS: PHOS BRONZE ALLOY UNS-C51000, 50u" NI UNDER PLATING 0.460DIA. ROUND WIRE. ,PLATING SEE TABLE.
- APPEARS ON 8 POS TYPE (P/N 87180-X8X) ONLY.
- PROTRUDED SHELF ONLY APPEARS ON 8-POS JACK.
- STANDARD PACKAGING METHOD(USE TUBE): SEE GS-14-361. 87180-XXXTRLF SPECIAL PACKAGE WITH TAPE & REEL SEE GS-14-456
- COMPANY LOGO CAN BE "BERG" OR "DU PONT" OR "FCI", AND WOULD APPEAR IN THE SAME SHIPMENT UNLESS LOGO SPEC HEREIN IS UPDATED.
- THE PRODUCT MEETS EUROPEAN UNION DIRECTIVES AND OTHER COUNTRY REGULATIONS AS DESCRIBED IN GS-22-008.
- THE HOUSING WILL WITHSTAND EXPOSURE TO 260°C PEAK TEMPERATURE FOR 10 SECONDS IN A WAVE SOLDER APPLICATION WITH A 1.60mm MINIMUM THICK CIRCUIT BOARD.
- IF LF P/N PACKAGING MEETS GS-14-920 SPECIFICATION.
- EQUIVALENT THICKNESS Au AND GXT PLATING HAVE SAME FUNCTION AND THEY ARE ALTERNATIVE BY THE CUSTOEMR .

mat'l. code	surface	tolerance	projection	product family
	ISO 1302	ISO 406	1101	HPL 580
ltr	ecn no	dr	date	title
AF				MOD JACK, FOR 1.6MM P.C.B.
	angles	linear	0°±2'	scale 1:1
	0.0±0.30	0.00±0.15	0.000±0.05	
	dr	Laurence.Zang	12/22/17	dwg no
	eng	Laurence.Zang	12/22/17	sheet 3 of 3
	chr	Tim.Yao	12/22/17	size
	appd	Tim.Yao	12/22/17	A3
sheet index	revision sheet			type Product Customer Drawing

Amphenol FCI
 © 2016 AFCI
 D