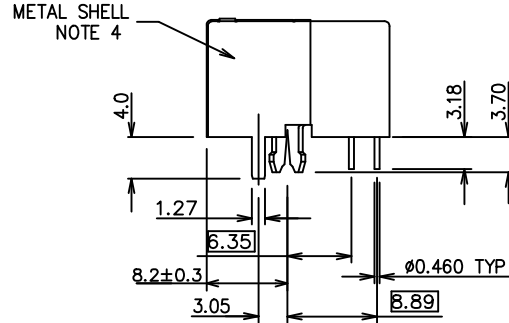
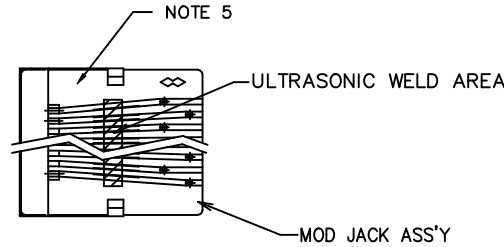
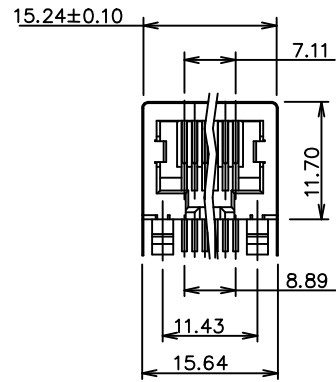


PRODUCT NO	NUMBER OF POS.	LOADED POSITION	LEAD FREE OPTION	COLOR
92250-X88LF	8	ALL POS.	NOTE 6 & 8	BLACK
92250-X86LF		2,3,4,5,6,7		
92250-X84LF		3,4,5,6		
92250-X88GLF		ALL POS.	GRAY	
92250-XH88LF		ALL POS.	NOTE 11	BLACK

NOTE: PLEASE CHECK FOR AVAILABILITY, NOT ALL OPTIONS AVAILABLE.

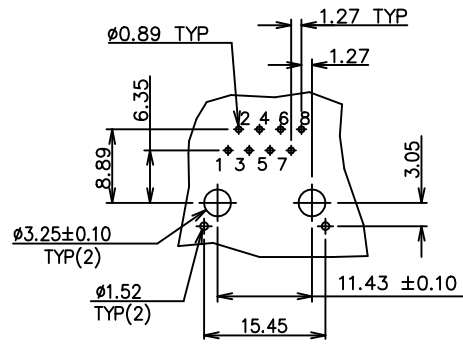
PLATING CODE X	PLATING
0	5u" Au + high performance lubricant
1	15u" GXT
3	5u" Au + high performance lubricant
5	50u" GXT
A	30u" GXT

NOTE: PLEASE CHECK FOR AVAILABILITY, NOT ALL OPTIONS AVAILABLE.

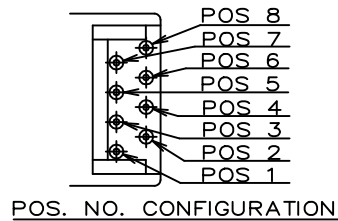
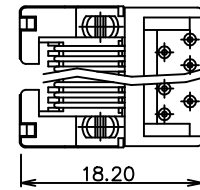


NOTES:

- RECOMMENDED P.C.B THICKNESS 1.60 MM
- HOUSING MAT'L: NYLON 6/6, 25% GLASS REINFORCED,
- CONTACTS: PHOS BRONZE ALLOY UNS-C51000, Ø 0.460 ROUND WIRE, PLATING SEE TABLE.
- SHIELDING MATERIAL: 0.25 [0.010] THICK BRASS ALLOY 2.54uM/100u" TIN-LEAD PLATED, OVER 1.02uM/40u" MIN NICKEL UNDERPLATING PER BUS-15-002/M.
LEAD FREE OPTION: 0.25 [0.010] THICK BRASS ALLOY 2.03uM/80u" TIN PLATED, OVER 1.02uM/40u" MIN NICKEL UNDERPLATING PER BUS-15-002/M.
- COMPANY LOGO LOCATED IN THIS AREA.
- ADD LF SUFFIX AT THE END OF PART NUMBER FOR LEAD FREE OPTION.
- THE HOUSING WILL WITHSTAND EXPOSURE TO 260° PEAK TEMPERATURE FOR 15 SECONDS IN A WAVE SOLDER APPLICATION WITH A 1.5mm MINIMUM THICK CIRCUIT BOARD. SEE APPLICATION NOTES/PROCEDURES IF THEY ARE AVAILABLE.
- THIS PRODUCT MEETS EUROPEAN UNION DIRECTIVES AND OTHER COUNTRY REGULATION AS DESCRIBED IN GS-22-008.
- PLATING OPTIONS: MAY BE EITHER GOLD OR GXT PLATED AT MANUFACTURER'S OPTION.
- EQUIVALENT THICKNESS Au AND GXT PLATING HAVE SAME FUNCTION AND THEY ARE ALTERNATIVE BY THE CUSTOMER.
- 92250-XH88LF TO MEET PIP PROGRESS



P.C.B. HOLE PATTERN VIEWED FROM TOP.



mat'l. code		surface ISO1302 ✓ tolerance ISO1101 ISO406		projection		product family MOD JACK	
ltr		ecn no dr date		tolerances unless otherwise specified		title	
K	N06-256	WG	12/05/06	angle	0.X±0.3	LOW PROFILE PCB III 8 POS SHIELDED M/J	
L	N08-0097	SH	09/24/08	line	0.XX±0.15		
M	ELX-N-010686	SH MIAO	3/14/12	0±2*	0.XXX±0.05		
N	ELX-N-50237	YS	11/8/23	dr	K.CHEN 6/27/92	dwg no sheet 1 of 1 size	
				engr	TONY CHEN 6/27/92	82250 A4	
				chr	TONY CHEN 6/27/92	type Product Customer Drawing	
				appd	JENN TSAO 6/27/92		
sheet index	revision	N					
	sheet	1					