

()

()

()

()

()

()

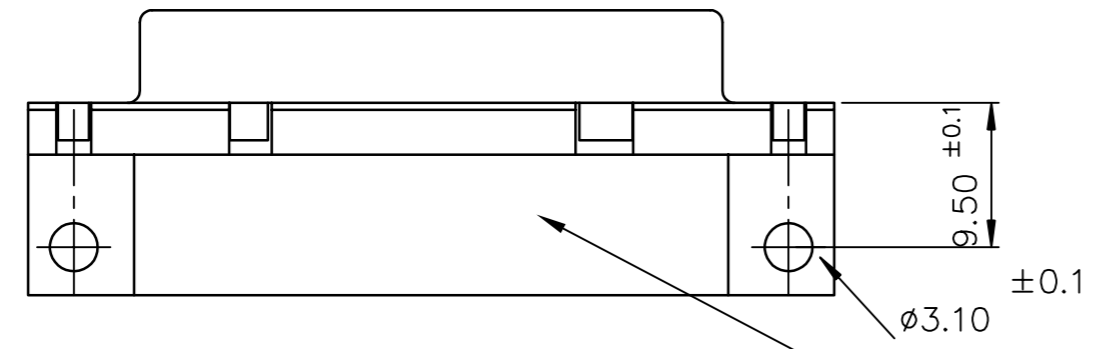
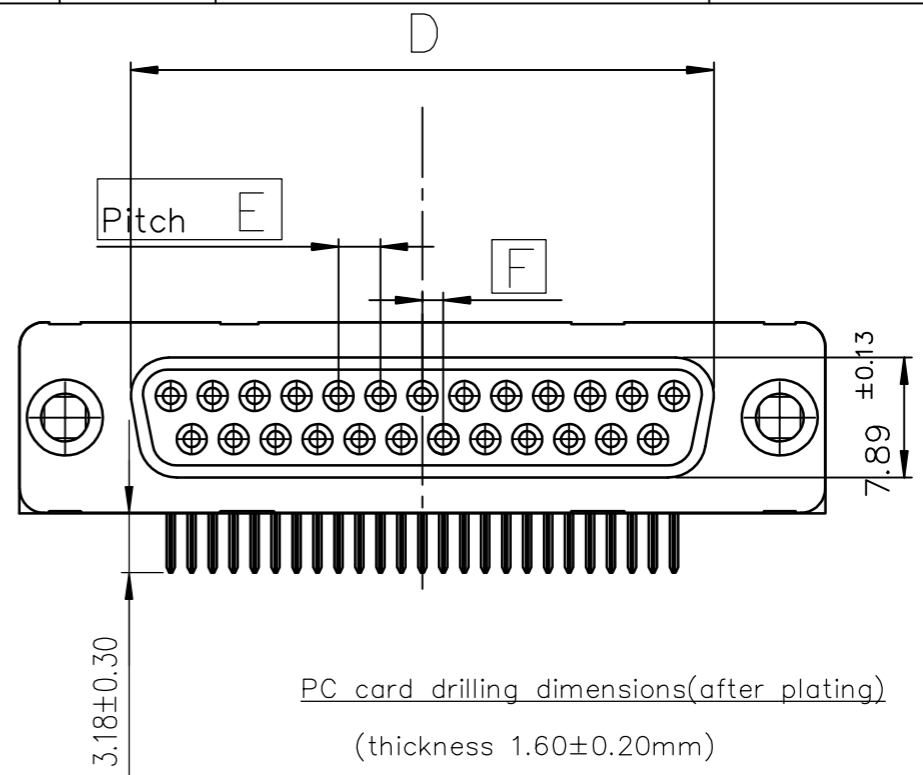
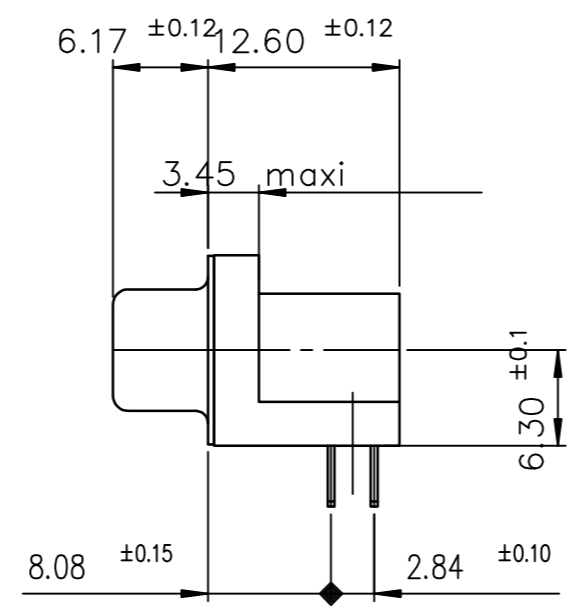
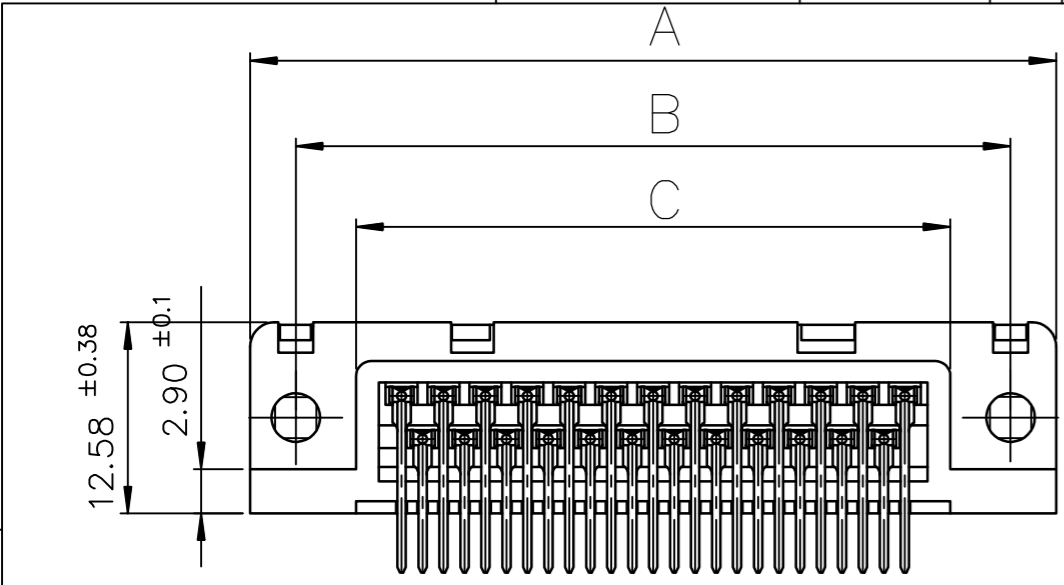
()

Amphenol
FCi

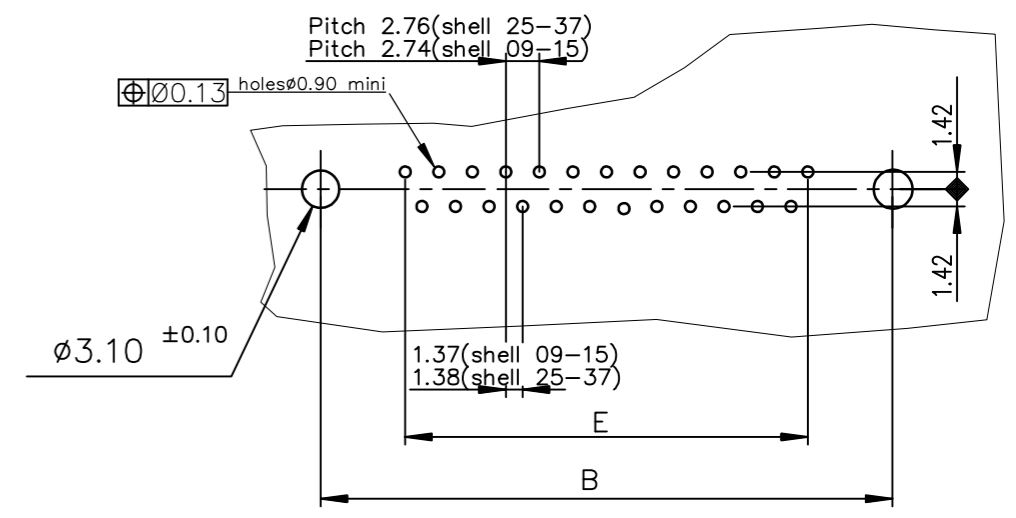
© 2016 AFCI

©

D



PC card drilling dimensions(after plating)
(thickness 1.60±0.20mm)



PART NUMBER &
DATE CODE PRINTING

LEAD FREE PART NUMBER

SHELL	A±0.38	B±0.12	C±0.10	D±0.25	E±0.07	PART NUMBER
09	30.81	24.99	16.96	16.21	10.96	D09S33E*PA00LF
15	39.14	33.32	25.18	25.54	19.18	D15S33E*PA00LF
25	53.03	47.04	39.12	38.25	33.12	D25S33E*PA00LF
37	69.32	63.50	55.68	54.71	49.68	D37S33E*PA00LF

Plating: 4 --> 200 MATING CYCLE
Plating: 6 --> 500 MATING CYCLE

Technical characteristics:

Shell: steel tin plated
Insulators: self-extinguishing thermoplastic, UL class94V0
Contacts : Copper Alloy, Au/gxt Plating

Electrical characteristics:

Max.current rating : 5A
Test voltage : 1000V
Rated voltage : 300V
Contact resistance : < 10mΩ
Insulation resistance : > 5000mΩ

Climatic characteristics:

Operating temperature range: -55°C +125°C

Dimensions:

In accordance with MIL-C-24308

ALL OTHER GENERAL CHARACTERISTICS & ROHS INFORMATION REFER DRAWING C01-8646-0000

mat'l. code		surface		tolerance		projection		product family	
SEE NOTES		ISO 1302 ✓		ISO 406 ISO 1101		mm		DELTA-D	
ltr	ecn no	dr	date	tolerances unless otherwise specified		mm		title	
F	ELX-I-38545	GM	07-10-2020	angles	linear	mm		Delta-D RIGHT ANGLE SOCKET CONNECTOR WITH OUT ACCESSORY	
				0°±1'		scale NTS		dwg no	
				dr	GREGAR M	06-10-2020	Amphenol FCi	sheet 1 of 1 size	
				enr	GREGAR M	06-10-2020		C01-8646-0010 A3	
				chr	SREERAJ K R	06-10-2020		type Product Customer Drawing	
				app	SANOJ P K	06-10-2020			
sheet index	revision	F							
	sheet	1							