

This document is the property of Amphenol Corporation and is delivered on the express condition that is not to be disclosed, reproduced or used, in whole or in part, for manufacture or sale by anyone other than Amphenol Corporation without its prior consent, and that no right is granted to disclose or to use any information in this document.

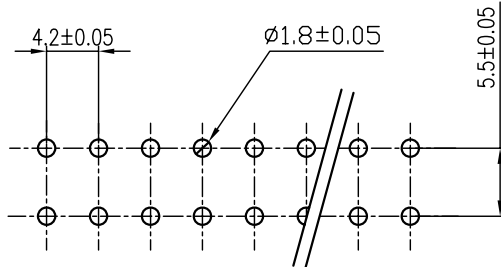
The marking on this product doesn't contain environmental hazardous materials per Material Specification 55-00259 for Sony GP compliant or per directive 2002/95/EC for RoHS compliant.



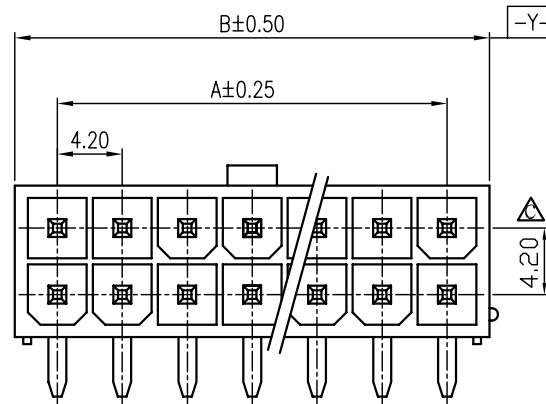
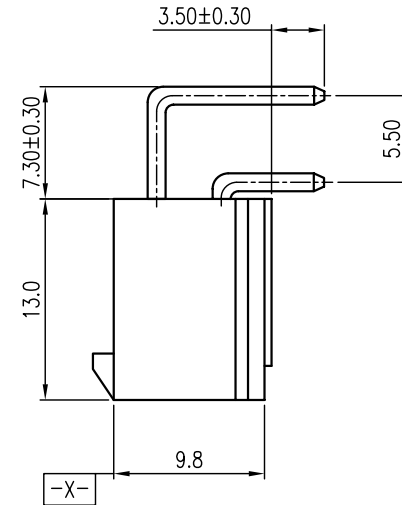
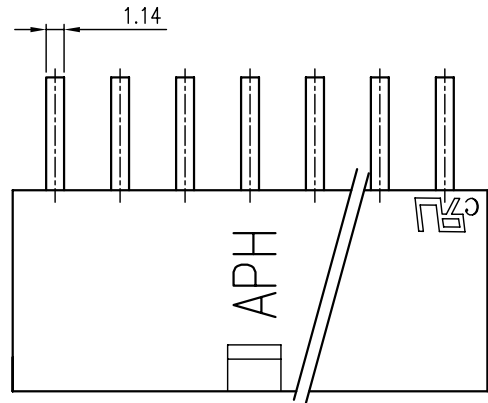
ORIGINAL



REVISIONS				
SYM	ECN No.	DESCRIPTION	DATE	APPROVED
A		RELEASE TO PRODUCTION	12/04/2007	Hank Hsu
B	NE-08239	CHANGED NYLON 6T TO LCP	07/04/2008	Hank Hsu
C	NE-09006	CHANGED NEW FORM	01/10/2009	Arron Lin
D	NE-09051	CHANGED VENDOR	03/23/2009	Arron Lin
E	NE-09056	MODIFIED LOGO	03/25/2009	Arron Lin
F	NE-09185	ADD PACKING TABLE	11/12/2009	Arron Lin



RECOMMENDED PCB LAYOUT



NOTES:

1. INSULATOR: LCP, UL 94V-0, COLOR- NATURAL
2. CONTACT: BRASS, TIN PLATED
3. ACCEPT CURRENT RANGE FOR AWG#18, 2P- 9A, 4P & 6P- 8A, 8P & 10P- 7A, 12~24P- 6A
4. THIS PRODUCT DOESN'T CONTAIN ENVIRONMENTAL HAZARDOUS MATERIALS PER DIRECTIVE 2002/95/EC FOR RoHS.
5. \triangle ARE CRITICAL DIMENSIONS

24	46.20	51.60	70	700
22	42.00	47.40	80	800
20	37.80	43.20	90	900
18	33.60	39.00	100	1000
16	29.40	34.80	110	1100
14	25.20	30.60	130	1300
12	21.00	26.40	150	1500
10	16.80	22.20	170	1700
8	12.60	18.00	210	2100
6	8.40	13.80	280	2800
4	4.20	9.60	400	4000
2		5.40	690	6900

NO. OF POSITION	A	B	PCS/INNER TRAY	PCS/BOX
	DIMENSIONS		PACKING	

TOLERANCE	APPROVALS	DATE	TITLE		PART No.	
X. ±0.30	DRAWN Daniel Hsieh	11/12/2009	G874D SERIES POWER CONNECTOR, 4.2 MM PITCH, HEADER R/A DIP TYPE		Amphenol® Amphenol Corporation Amphenol Taiwan Corporation	
X.X ±0.20	CHECKED Roger Tsai	11/12/2009				
X.XXX ±0.10	APPROVED Arron Lin	11/12/2009				
ANGULAR ±1°	DWG TYPE CUST DWG	PROJECT CODE PHD	UNIT mm	SIZE A3	G874DXX210PTEU	
UNLESS OTHERWISE SPECIFIED			SCALE NA	SHEET 1 OF 1	DWG No. G874DXX210PTEU	REV. F