

# Customer drawing

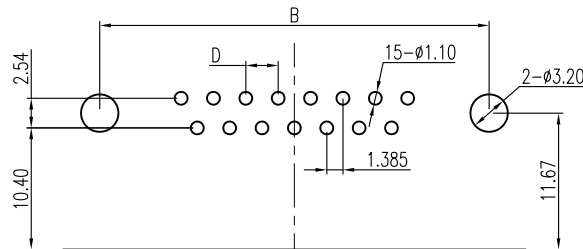
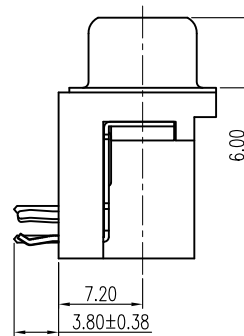
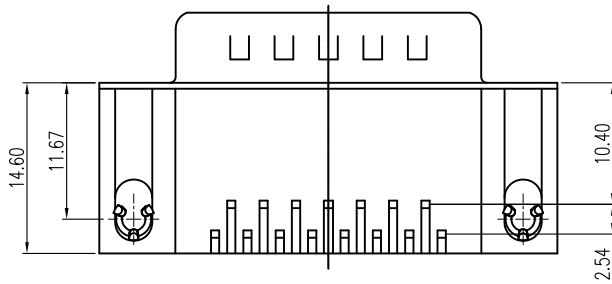
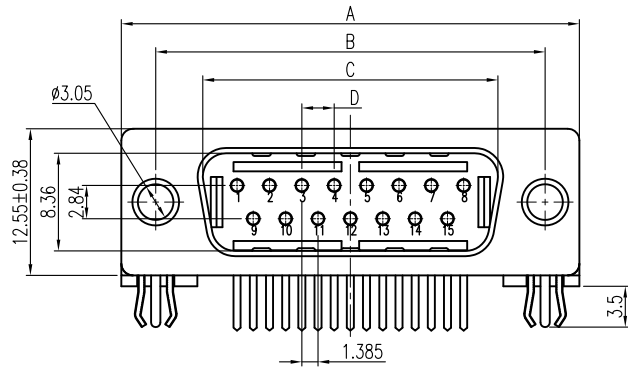
This document is the property of Amphenol Corporation and is delivered on the express condition that it is not to be disclosed, reproduced or used, in whole or in part, for manufacture or sale by anyone other than Amphenol Corporation without its prior consent, & that no right is granted to disclose or to use any information in this document.

## REVISIONS

SYM	ECN	DESCRIPTION	DATE	APPROVED
1	HK--	First Release Drawing	12/19/16	IP

### D-SUB TECHNICAL DATA

SHELL : SPCC, 80u" min nickel over 50u" min Copper  
 BODY : PBT, UL 94V-0, Color: Black.  
 CONTACTS : Copper alloy  
 Gold flash over 50u" nickel on mating area  
 100u" tin over 50u" nickel on solder area  
 BOARDLOCK: Copper Alloy, Tin Plated.  
 REAR NUT: Copper Alloy, Nickel Plated.  
 ELECTRICAL : Voltage rating 250 VAC (RMS)  
 Current Rating :3 AMP  
 Withstanding Voltage >1000 VAC(RMS)  
 Insulation resistance >1000 M Ohms  
 Contact resistance 25 mOhms max  
 MARKING : Amphenol...(Series No.)  
 Commercial reference  
 Manufacturing date

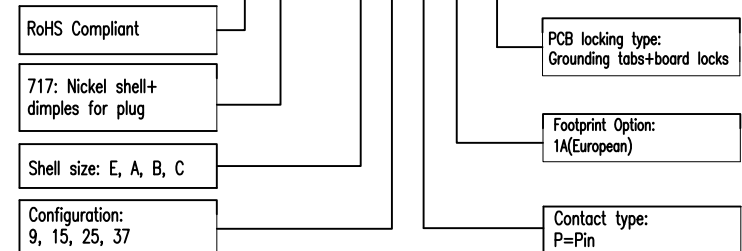


NO.	A ±0.38	B	C	D
9P	30.81	24.99	16.92	2.77
15P	39.19	33.32	25.25	2.77
25P	53.04	47.04	38.96	2.77
37P	69.32	63.50	55.42	2.77

RECOMMENDED P.C.B LAYOUT  
 (TOLERANCE ±0.05MM)

### PRODUCT CODE

L 717 SD X XX P 1A CH



UNLESS OTHERWISE SPECIFIED TOLERANCES		APPROVAL		DATE
U.S.	METRIC	DRAWN	DATE	
.X +/-	0.50	Pete Liu	12/19/16	
.XX +/-	0.30	Checked	Tomy Tung	12/19/16
.XXX +/-	0.20	Checked		
FRACTIONS +/-				
ANGLES +/-	5°			
FOR MATERIALS AND FINISHES SEE NOTES		DRAWING FILE :		
REMOVE SHARP EDGES		ANGLE OF PROJECTION		
DIMENSIONS				
U.S.	INCHES			
METRIC	MM			

Amphenol		
TITLE D-SUB, R/A, DIP TYPE		
SIZE	DRAWING NO.	REV.
A4	L717SDXXXP1ACH	1
SCALE	NONE	SHEET 1 OF 1