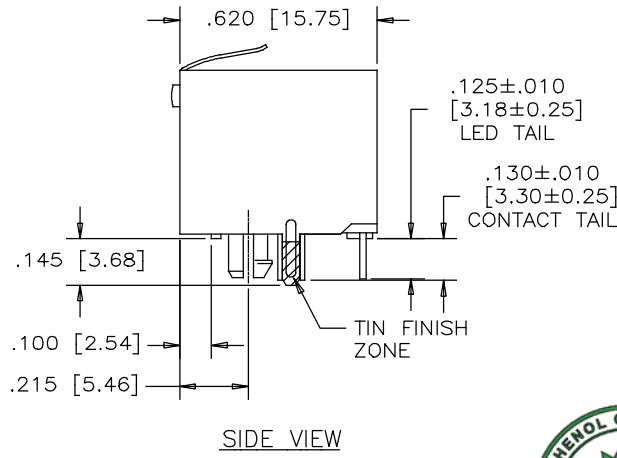
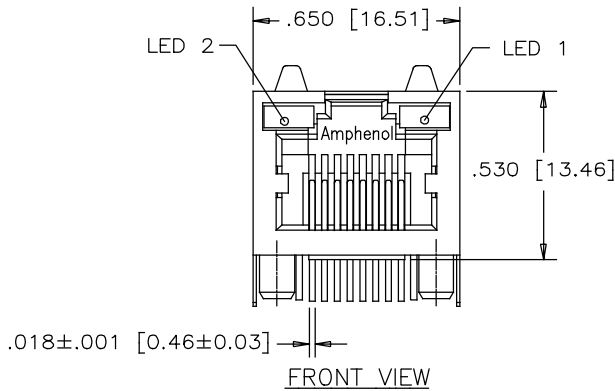
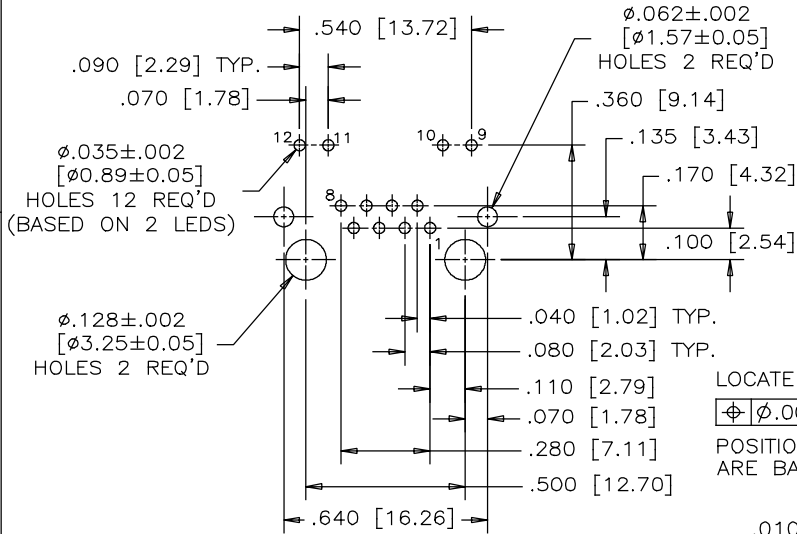
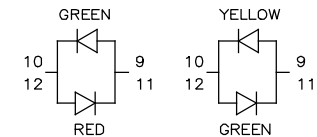
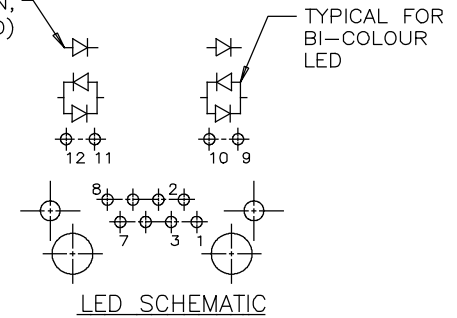


REVISIONS			
SYM	ECN, ERN NO.	DATE	APPRD.
B	PROPOSAL	12/29/2009	LCHAN
C	PROPOSAL	02/21/2012	LCHAN
D	CHANGE TO TIN FINISH	JUN 19/17	LCHAN

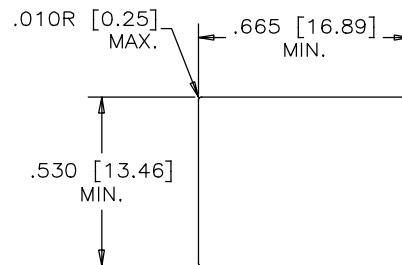


TYPICAL FOR SINGLE COLOUR LED (GREEN, YELLOW OR RED)



RECOMMENDED P.C.B. LAYOUT  
(COMPONENT SIDE OF BOARD)

LOCATE HOLES  
 $\phi \phi .005$  [0.13]  
POSITION DIMENSIONS ARE BASIC



**MATERIALS:**

PLASTIC HOUSING: HIGH ENGINEERING THERMOPLASTIC  
FLAMMABILITY RATING UL 94V-0, COLOR BLACK

**CONTACTS:**

PHOSPHOR BRONZE  
PLATING: 50  $\mu$ " [1.27 MICRONS]  
MIN. GOLD ON MATING SURFACES.  
50  $\mu$ " [1.27 MICRONS]  
MIN. NICKEL UNDERPLATE  
100  $\mu$ " [2.54 MICRONS]  
MIN. MATTE TIN ON CONTACT TAILS.

**SHIELD:**

STAINLESS STEEL WITH TIN FINISH ON SOLDER TAIL

AMPHENOL PART NUMBER: RJHSE-538X-A1X

REFER TO LED OPTIONS DRAWING FOR ORDERING CODES

DRAWN PAULW	DATE 05/12/29
DESIGNED	
CHECKED CHIGOW	05/12/29
I. E. APPRD.	
Q. A. APPRD.	
DWG. APPRD.	
ENG. REL. NO.	
REF.	
DIMENSIONS ARE IN INCHES [mm]	CODE ID. NO. 03554

Amphenol Canada Corp.

TITLE SINGLE PORT HIGH SPEED MODULAR JACK CONNECTOR, SHIELDED WITH LED'S .130" LONG CONTACT TAILS-ROHS COMPLIANT

DWG	DRAWING NO.	REV.
	P-RJHSE-538X-A1X	D
SCALE	WT. -----	SURF. -----
		SHEET 1 OF 1

THIS DOCUMENT CONTAINS PROPRIETARY INFORMATION AND SUCH INFORMATION MAY NOT BE DISCLOSED TO OTHERS FOR ANY PURPOSE OR USED FOR MANUFACTURING PURPOSES WITHOUT WRITTEN PERMISSION FROM AMPHENOL CANADA CORP.