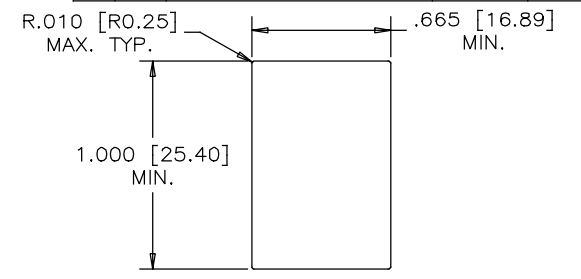
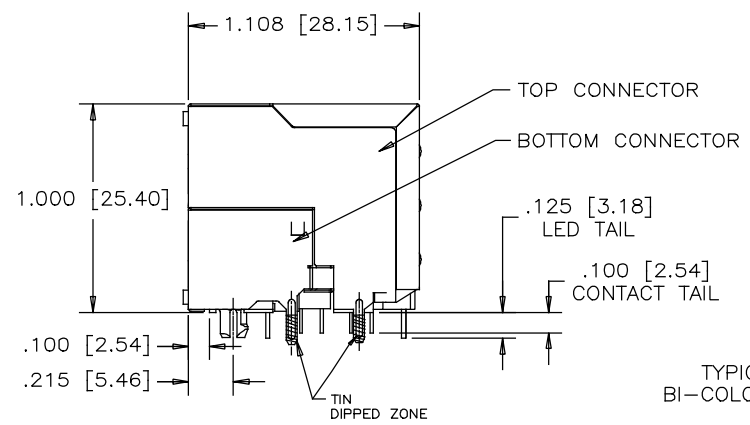
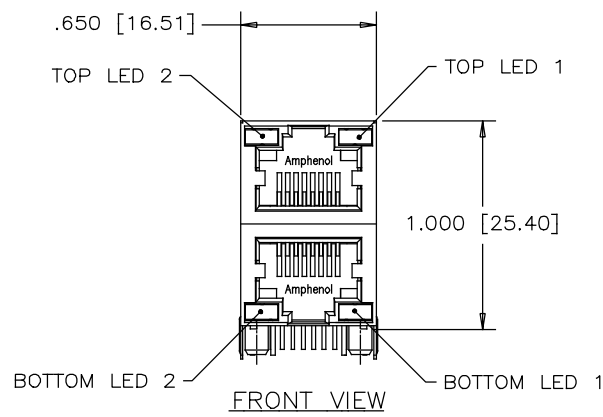
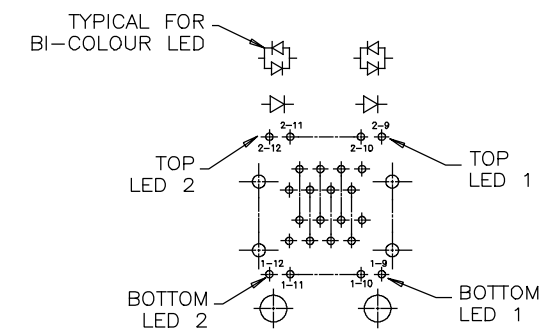


REVISIONS				
SYM	ZONE	ECN, ERN NO.	DATE	APPRD.
A		PROPOSAL	APR28/08	L.CHAN
B		CORRECT SIDE VIEW TO MATCH ACTUAL PART.	MAR06/13	L.CHAN

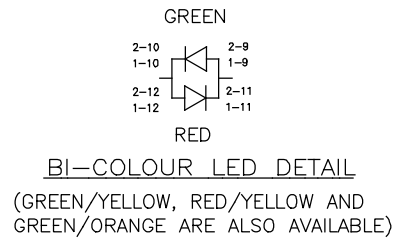


RECOMMENDED PANEL CUTOUT



LED SCHEMATIC

SIDE VIEW



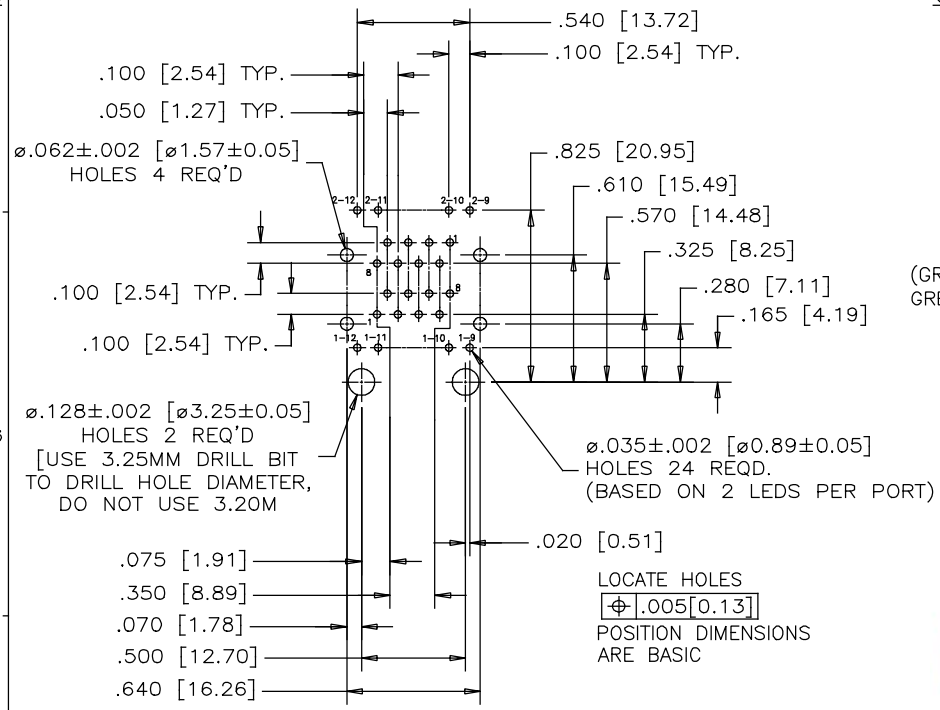
BI-COLOUR LED DETAIL

MATERIALS:

- HOUSING: ENGINEERING THERMOPLASTIC. FLAMMABILITY RATING UL 94V-0 COLOR: BLACK
- CONTACTS: PHOSPHOR BRONZE PLATING: 50µ [1.27 MICRONS] MIN. GOLD OVER MATING SURFACES. 50µ [1.27 MICRONS] MIN. NICKEL UNDERPLATE. 100µ [2.54 MICRONS] MIN. MATTE-TIN OR GOLD FLASH ON CONTACT AILS.
- SHIELD: COPPER ALLOY PLATING: NICKEL WITH TIN DIPPED ON PCB TAIL.

PART NUMBER: RJSAE-5F8X-02X

REFER TO LED OPTIONS DRAWING FOR ORDERING CODES



RECOMMENDED PCB LAYOUT (COMPONENT SIDE OF BOARD)

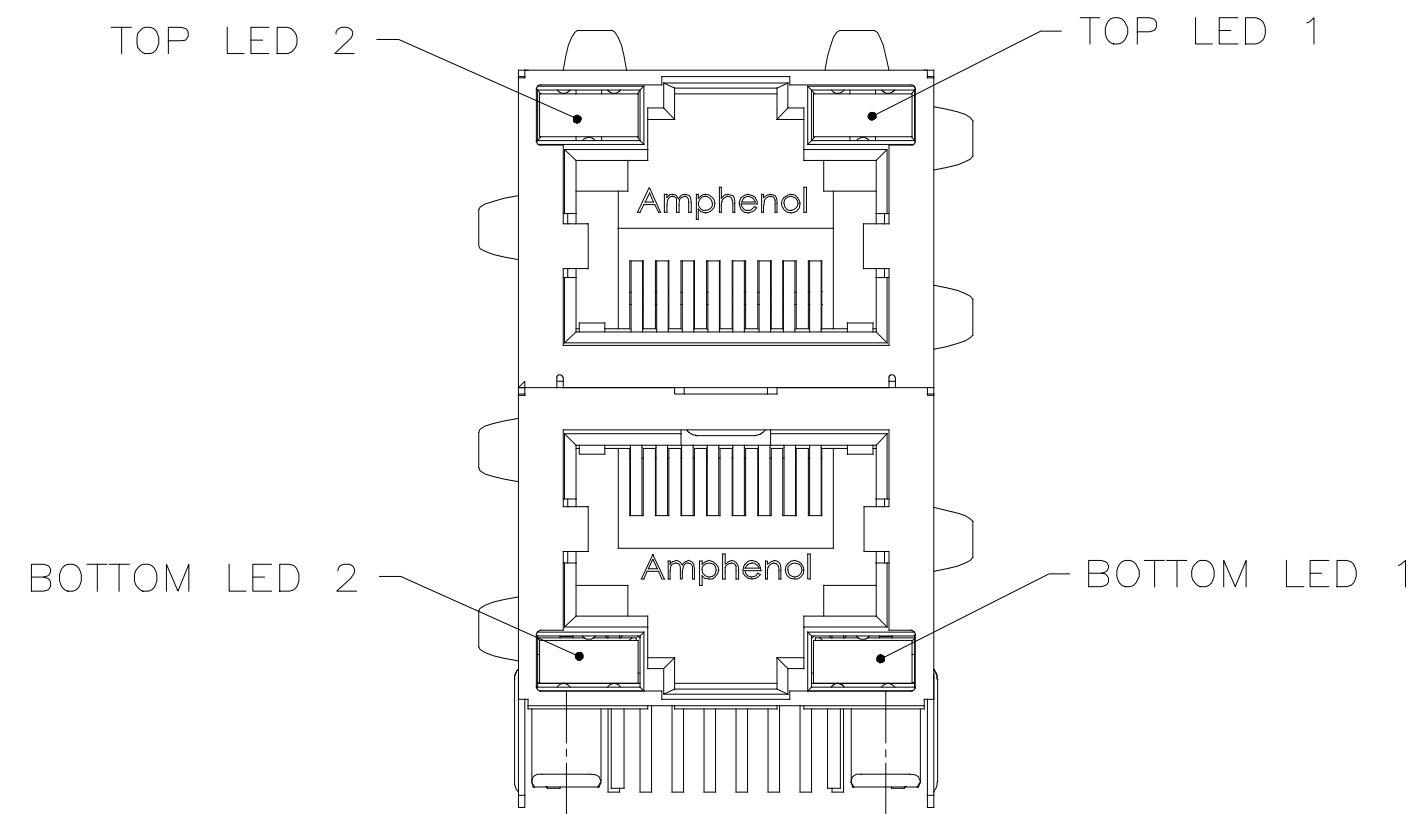


DRAWN	J.OUYANG	DATE	APR28/08
DESIGNED	MT.CHAN	DATE	APR28/08
CHECKED	L.CHAN	DATE	APR28/08
I. E. APPRD.			
Q. A. APPRD.			
DWG. APPRD.			
ENG. REL. NO.			
REF.	EAR A080408		
DIMENSIONS ARE IN	INCHES [mm]	CODE ID. NO.	03554

Amphenol Canada Corp.		
TITLE 2x1 STACKABLE MODULAR JACK (8 POS. 8 CONTACTS, WITH LEDS AND SHIELD) (WITHOUT GROUND TAB)-ROHS COMPLIANT		
DWG	DRAWING NO.	REV.
	P-RJSAE-5F8X-02X	B
SCALE	WT. _____	SURF. _____
		SHEET 1 OF 1

THIS DOCUMENT CONTAINS PROPRIETARY INFORMATION AND SUCH INFORMATION MAY NOT BE DISCLOSED TO OTHERS FOR ANY PURPOSE OR USED FOR MANUFACTURING PURPOSES WITHOUT WRITTEN PERMISSION FROM AMPHENOL CANADA CORP.

REVISIONS				
SYM	ZONE	ECN, ERN NO.	DATE	APPRD.
H		PROPOSAL	JUL04/12	L.CHAN
J		UPDATE ROHS STAMP	JAN21/13	L.CHAN



LED SPECIFICATIONS:

FORWARD VOLTAGE: 2.1 VOLTS TYP.
 REVERSE VOLTAGE: 5.0 VOLTS MIN.
 LUMINOUS INTENSITY: 0.5 mCd MIN.
 (AT If=2mA)

STORAGE TEMPERATURE: -40° TO 85° C

PLATING ON TAILS: TIN OR TIN/COPPER ALLOY OVER SILVER

PRIMARY COLOR FOR BI-COLOR

LEDS IN STANDARD ANODE/
 CATHODE CONFIGURATION IS:
 RED-GREEN= RED
 RED-YELLOW= RED
 GREEN-YELLOW= GREEN
 GREEN-ORANGE= GREEN

LEGEND

BiC=BI-COLOR LED
 LOWC=LOW CURRENT LED
 YE=YELLOW
 GR=GREEN
 RD=RED
 OR=ORANGE

NOTES:

1. THE TWO DIGITS PRECEDING THE ADDITIONAL LED CODE MUST BE USED IN THE PART NUMBER, WHEN ORDERING ANY OF THE ADDITIONAL LED OPTIONS.
2. '*' REPRESENT DIFFERENT OPTION OF CONNECTOR, DETAIL OPTION PLEASE SEE RELEVANT CONNECTOR DRAWING.

EXAMPLE:1

PART NUMBER RJS AE-***X-**
 SEE NOTE 2 (pointing to first two asterisks)
 SEE NOTE 2 (pointing to X)
 SEE NOTE 2 (pointing to last two asterisks)
 LED COLOR CODE

EXAMPLE:2

PART NUMBER RJS AE-***U-**-XX
 SEE NOTE 2 (pointing to first two asterisks)
 SEE NOTE 2 (pointing to U)
 SEE NOTE 2 (pointing to last two asterisks)
 SEE NOTE 2 (pointing to XX)
 SPECIAL CODE FOR TOP & BOTTOM LE DS CONFIGURATION
 BOTTOM ASSY LED (SAME AS STD CODE)
 TOP ASSY LED (SAME AS STD CODE)

CODE	LED 2 (LEFT)	LED 1 (RIGHT)	CODE	LED 2 (LEFT)	LED 1 (RIGHT)	CODE	LED 2 (LEFT)	LED 1 (RIGHT)
0	BLOCKED	BLOCKED	9	GREEN	BLOCKED	J	BiC RD/GR	YELLOW
1	YELLOW	GREEN	A	BiC GR/YE	BiC GR/YE	K	YELLOW	BiC GR/OR
2	BLOCKED	GREEN	B	BiC RD/GR	BiC RD/GR	L	BiC GR/YE	RED
3	YELLOW	BLOCKED	C	BiC RD/GR	BiC GR/YE	M	RED	YELLOW
4	GREEN	YELLOW	D	GREEN	BiC GR/YE	N	BiC GR/RD	BiC GR/YE
5	GREEN	GREEN	E	YELLOW	BiC GR/YE	P	GREEN	BiC RD/GR
6	YELLOW	YELLOW	F	BiC GR/YE	YELLOW	R	BiC GR/OR	GREEN
7	RED	GREEN	G	BiC GR/OR	BiC GR/OR	T	RED	RED
8	GREEN	RED	H	BiC GR/YE	GREEN	V	BiC RD/GR	GREEN
			W			W	ADDITIONAL OPTIONS	
			U			U	SPECIAL CODE FOR TOP & BOTTOM LE DS CONFIGURATION	

EXAMPLE:3

PART NUMBER RJS AE-***W-**X
 SEE NOTE 2 (pointing to first two asterisks)
 SEE NOTE 2 (pointing to W)
 SEE NOTE 2 (pointing to last two asterisks)
 SEE NOTE 2 (pointing to X)
 ADDITIONAL LED COLOR CODE
 DENOTES ADDITIONAL LED OPTIONS TO BE USED

CODE	LED 2 (LEFT)	LED 1 (RIGHT)	CODE	LED 2 (LEFT)	LED 1 (RIGHT)	CODE	LED 2 (LEFT)	LED 1 (RIGHT)
0	DO NOT USE		5	BLOCKED	YELLOW	A	LOWC YE	LOWC YE
1	RED	BLOCKED	6	RED	BiC RD/GR	B	LOWC YE	LOWC GR
2	BiC GR/OR	YELLOW	7			C	LOWC GR	LOWC YE
3	YELLOW	RED	8	BiC RD/GR	BLOCKED	D	LOWC GR	LOWC GR
4	BLOCKED	RED	9	BiC GR/YE	BLOCKED	M	LOWC RD	LOWC YE
						N	GREEN	BiC GR/OR
						E	GREEN	ORANGE
						F	ORANGE	GREEN
						P	BiC RD/YE	GREEN
						R	BiC RD/YE	BiC RD/YE
						T	BiC GR/YE	BiC RD/GR

EXAMPLE:4

PART NUMBER RJS AE-***X-**XX*
 SEE NOTE 2 (pointing to first two asterisks)
 SEE NOTE 2 (pointing to X)
 SEE NOTE 2 (pointing to last two asterisks)
 SEE NOTE 2 (pointing to X)
 SEE NOTE 2 (pointing to asterisk)
 LED COLOR CODE THE SAME AS EXAMPLE 1, 2, 3
 LED COLOR CODE THE SAME AS EXAMPLE 1, 2, 3
 SEE NOTE 2

THIS DOCUMENT CONTAINS PROPRIETARY INFORMATION AND SUCH INFORMATION MAY NOT BE DISCLOSED TO OTHERS FOR ANY PURPOSE OR USED FOR MANUFACTURING PURPOSES WITHOUT WRITTEN PERMISSION FROM AMPHENOL CANADA CORP.

DRAWN PAUL WANG	DATE 05/07/22	Amphenol Canada Corp.		
DESIGNED				
CHECKED TERRY	05/07/22			
I. E. APPRD.				
Q. A. APPRD.		TITLE LED OPTIONS FOR RJS AE, MULTI-PORT CONNECTORS - RoHS COMPLIANT		
DWG. APPRD.		DWG DRAWING NO. P-RJS AE-LEDS		REV. J
ENG. REL. NO.				
REF.				
DIMENSIONS ARE IN INCHES [mm]	CODE ID. NO. 03554	SCALE	WT. -----	SURF. -----
		SHEET 1 OF 1		